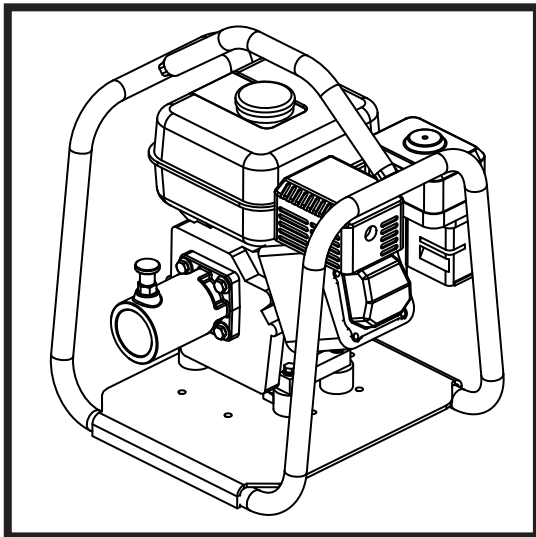




BELLE POKER POWER UNIT

870/20004/10
03/25



Ⓞ GB	Operators Manual	10
Ⓞ F	Manuel De L'Opérateur	20
Ⓞ E	Manual del Operador	30
Ⓞ P	Manual de Operação	40
Ⓞ NL	Handleiding	50
Ⓞ D	Bedienungshandbuch	60

2

UKCA Declaration of Conformity

3 - 8

EC Declaration of Conformity

Declaration Of Conformity (DOC)

We, **Altrad Belle, Sheen, Nr. Buxton, Derbyshire, SK17 0EU, GB** declare that the DoC is issued under our sole responsibility and belongs to the followings product(s):



PRODUCT TYPE

MODEL.....

SERIAL No.....

DATE OF MANUFACTURE

SOUND POWER LEVEL
MEASURED /
.....(GUARANTEED)

WEIGHT.....



Object of the Declaration:

A portable, independant petrol/diesel powered drive system for the use of concrete vibrating pokers.

The object of the declaration described above is in conformity with the relevant **Statutory Requirements:**

- **2008 No. 1597** Supply of Machinery (Safety) Regulations 2008

The following designated standards and technical specifications have been applied:

- **EN ISO 12100:2010** Safety of machinery

Technical Files are held by **Ray Neilson** at the Altrad Belle address stated above:-

Place of Declaration:-

Sheen,
Nr. Buxton,
Derbyshire,
SK17 0EU,
UK

Date of Declaration:-

February 2022

Signed by:

Ray Neilson

Managing Director
On behalf of Altrad Belle
Sheen, Derbyshire, UK

We, **Altrad Belle, Sheen, Nr. Buxton, Derbyshire, SK17 0EU, GB** declare that the DoC is issued under our sole responsibility and belongs to the followings product(s):



PRODUCT TYPE
MODEL.....
SERIAL No.....
DATE OF MANUFACTURE
SOUND POWER LEVEL
MEASURED /
.....(GUARANTEED)
WEIGHT.....

[Empty dashed box for product details]

Object of the Declaration:

A portable, independant petrol/diesel powered drive system for the use of concrete vibrating pokers.

The object of the declaration described above is in conformity with the relevant **Union Harmonisation Legislation:**

- **2006/42/EC** New machinery directive

The following harmonised standards and technical specifications have been applied:

- **EN ISO 12100:2010** Safety of machinery

Technical Files are held by **Armand Ternel** at the following address:-

Altrad Investment Authority SAS: 150 Rue Le Pérugin, 34000 Montpellier, France.

Place of Declaration:-

Sheen,
Nr. Buxton,
Derbyshire,
SK17 0EU,
UK

Date of Declaration:-

February 2022

Signed by:

Ray Neilson

Managing Director
On behalf of Altrad Belle
Sheen, Derbyshire, UK

Nous, **Altrad Belle, Sheen, Nr. Buxton, Derbyshire, SK17 0EU, GB** déclarons que la DdC est émise sous notre seule responsabilité et qu'elle appartient au(x) produit(s) suivants:



TYPE DE PRODUIT.....

MODÈLE

No DE SÉRIE.....

DATE DE FABRICATION.....

NIVEAU DE PUISSANCE ACOUSTIQUE
MESURÉ /
.....(GARANTI)

POIDS

Voir page 3
pour cette information

Objet de la déclaration:

Un système d'entraînement portable et indépendant alimenté à l'essence / diesel pour l'utilisation de pokers vibrants en béton.

L'objet de la déclaration décrite ci-dessus est conforme à la **législation de l'Union européenne en matière d'harmonisation:**

- **2006/42/EC** Directive relative aux machines

Les normes et les spécifications techniques harmonisées suivantes ont été appliquées:

- **EN ISO 12100:2010** Sécurité des machines

Les dossiers techniques sont détenus par **Armand Ternel** à l'adresse suivante:-

Altrad Investment Authority SAS: 150 Rue Le Pérugin, 34000 Montpellier, France.

Lieu de la déclaration:-

Sheen,
Nr. Buxton,
Derbyshire,
SK17 0EU,
UK

Date de la déclaration:-

février 2022

Signée par:

Ray Neilson

Directeur Général
Au nom de Altrad Belle
Sheen, Derbyshire, R.-U.

Nosotros, Altrad Belle, Nr. Buxton, Derbyshire, SK17 0EU, Gran Bretaña, declaramos que la DDC se emite bajo nuestra responsabilidad exclusiva y concierne a los siguientes productos:



TIPO DE PRODUCTO.....

MODELO.....

NÚMERO DE SERIE.....

FECHA DE FABRICACIÓN

NIVEL DE POTENCIA ACÚSTICA
MEDIDO /

.....(GARANTIZADO)

PESO.....

Ver página 3
para esta información

Objeto de la declaración:

Un sistema de propulsión portátil, independiente de gasolina / diesel para el uso de vibradores de hormigón.

El objeto de la declaración antes descrita está conforme a la **Legislación sobre armonización de la Unión** relevantes:

- **2006/42/EC** Nueva directiva relativa a las máquinas

Las siguientes normas armonizadas y especificaciones técnicas han sido aplicadas:

- **EN ISO 12100:2010** Seguridad de la maquinaria

Los archivos técnicos están en poder de **Armand Ternel** en la siguiente dirección:-
Altrad Investment Authority SAS: 150 Rue Le Pérugin, 34000 Montpellier, Francia.

Lugar de la Declaración:-

Sheen,
Nr. Buxton,
Derbyshire,
SK17 0EU,
UK

Fecha de la Declaración:-

Febrero 2022

Firmado por:

Ray Neilson

Director General
Por Altrad Belle
Sheen, Derbyshire, Reino Unido

Nós, **Altrad Belle, Sheen, Nr. Buxton, Derbyshire, SK17 0EU, GB**, declaramos que o DoC foi emitido sob a nossa exclusiva responsabilidade e pertence ao(s) seguinte(s) produto(s):



TIPO DE PRODUTO

MODELO.....

Nº SÉRIE.....

DATA DE FABRICO

NÍVEL DE POTÊNCIA SONORA

MEDIDAS /

..... (GARANTIDO)

PESO.....

Veja a página 3
para esta informação

Objeto da Declaração:

Um sistema de acionamento portátil e independente movido a gasolina / diesel para o uso de pokers vibratórios de concreto.

O objeto da declaração acima descrita está em conformidade com a **Harmonização da Legislação Europeia** pertinente:

- **2006/42/EC** Nova diretiva sobre máquinas

Foram aplicadas as seguintes normas harmonizadas e especificações técnicas:

- **EN ISO 12100:2010** Segurança de máquinas

A documentação técnica é mantida por **Armand Ternel** no seguinte endereço:-

Altrad Investment Authority SAS: 150 Rue Le Pérugin, 34000 Montpellier, França.

Local da Declaração:-

Sheen,
Nr. Buxton,
Derbyshire,
SK17 0EU,
UK

Data da Declaração:-

Fevereiro 2022

Assinado por:

Ray Neilson

Diretor Executivo

*Em representação da Altrad Belle
Sheen, Derbyshire, Reino Unido*

Wij, **Altrad Belle, Sheen, Nr. Buxton, Derbyshire, SK17 0EU, GB** verklaren dat de verklaring van overeenstemming uitsluitend onder onze verantwoordelijkheid is opgesteld en bij de volgende product(en) behoort:



PRODUCTTYPE

MODEL.....

SERIENR.....

FABRICATIEDATUM

GEMETEN
GELUIDSVERMOGENNIVEAU /
..... (GEGARANDEERD)

GEWICHT.....

Zie pagina 3
voor deze informatie

Voorwerp van de Verklaring:

Een draagbaar, onafhankelijk benzine- / dieselaangedreven aandrijfsysteem voor het gebruik van betonnen trilnaalden.

Het voorwerp van de hierboven beschreven verklaring is conform met de relevante harmonisatiewetgeving van de Unie:

- **2006/42/EG** Nieuwe Machinerichtlijn

De volgende geharmoniseerde normen en technische specificaties werden toegepast:

- **EN ISO 12100:2010** Veiligheid van machines

De technische documentatie wordt bijgehouden door **Hugues Menager** op het volgende adres:
Altrad Investment Authority SAS: 150 Rue Le Pérugin, 34000 Montpellier, Frankrijk.

Plaats van de verklaring:-

Sheen,
Nr. Buxton,
Derbyshire,
SK17 0EU,
UK

Datum van de verklaring:-

Februari 2022

Ondertekend door:

Ray Neilson

Directeur
Namens Altrad Belle
Sheen, Derbyshire, VK

Wir, **Altrad Belle, Sheen, Nr. Buxton, Derbyshire, SK17 0EU, GB** erklären, dass vorliegende Konformitätserklärung unter unserer alleinigen Verantwortung ausgestellt wurde und sich auf folgende(s) Produkt(e) bezieht:



PRODUKTTYP.....
MODELL
SERIENNUMMER.....
HERSTELLUNGSDATUM
SCHALLLEISTUNGSPEGEL
GEMESSEN /
..... (GARANTIERT)
GEWICHT.....

Siehe Seite 3
für diese Informationen

Gegenstand der Erklärung:

Ein tragbares, unabhängiges benzin- / dieselbetriebenes Antriebssystem für die Verwendung von Betonvibrationspokern.

Gegenstand der oben beschriebenen Erklärung ist die Konformität mit den einschlägigen Harmonisierungsrechtsvorschriften der Union:

- **2006/42/EG** Neue Maschinenrichtlinie

Die folgenden harmonisierten Normen und technischen Spezifikationen wurden angewandt:

- **EN ISO 12100:2010** Sicherheit von Maschinen

Die technischen Unterlagen werden von **Armand Ternel** unter folgender Adresse aufbewahrt: - **Altrad Investment Authority SAS: 150 Rue Le Pérugin, 34000 Montpellier, Frankreich.**

Ort der Erklärung:-

Sheen,
Nr. Buxton,
Derbyshire,
SK17 0EU,
UK

Datum der Erklärung:-

Februar 2022

Unterzeichnet von:

Ray Neilson

Geschäftsführender Direktor
Im Namen von Altrad Belle
Sheen, Derbyshire, Großbritannien



How To Use This Manual

This manual has been written to help you operate and service the Poker Power Unit safely. This manual is intended for dealers and operators of the Poker Power Unit.

Foreword

The '**Machine Description**' section helps you to familiarise yourself with the machine's layout and controls.

The '**Environment**' section gives instructions on how to handle the recycling of discarded apparatus in an environmentally friendly way.

The '**General Safety**' and '**Health and Safety**' sections explain how to use the machine to ensure your safety and the safety of the general public.

The '**Start and Stop Procedure**' helps you with starting and stopping the unit.

The '**Connection Procedure**' and '**Operating the Power Unit**' sections help you with the setting up and operation of the unit.


The '**Trouble Shooting Guide**' helps you if you have a problem with your machine.

The '**Servicing**' section is to help you with the general maintenance and servicing of your machine.

The '**Warranty**' Section details the nature of the warranty cover and the claims procedure.

Directives with regard to the notations.


Text in this manual to which special attention must be paid are shown in the following way:

 **CAUTION** *The product can be at risk. The machine or yourself can be damaged or injured if procedures are not carried out in the correct way.*

 **WARNING** *The life of the operator can be at risk.*



WARNING

 **WARNING** *Before you operate or carry out any maintenance on this machine **YOU MUST READ and STUDY** this manual.*

KNOW how to safely use the unit's controls and what you must do for safe maintenance. (NB Be sure that you know how to switch the machine off before you switch on, in case you get into difficulty.)

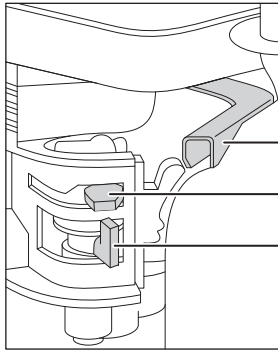
ALWAYS wear or use the proper safety items required for your personal protection. If you have **ANY QUESTIONS** about the safe use or maintenance of this unit, ASK YOUR SUPERVISOR OR CONTACT: **Altrad Belle (UK): +44 (0) 1298 84606**



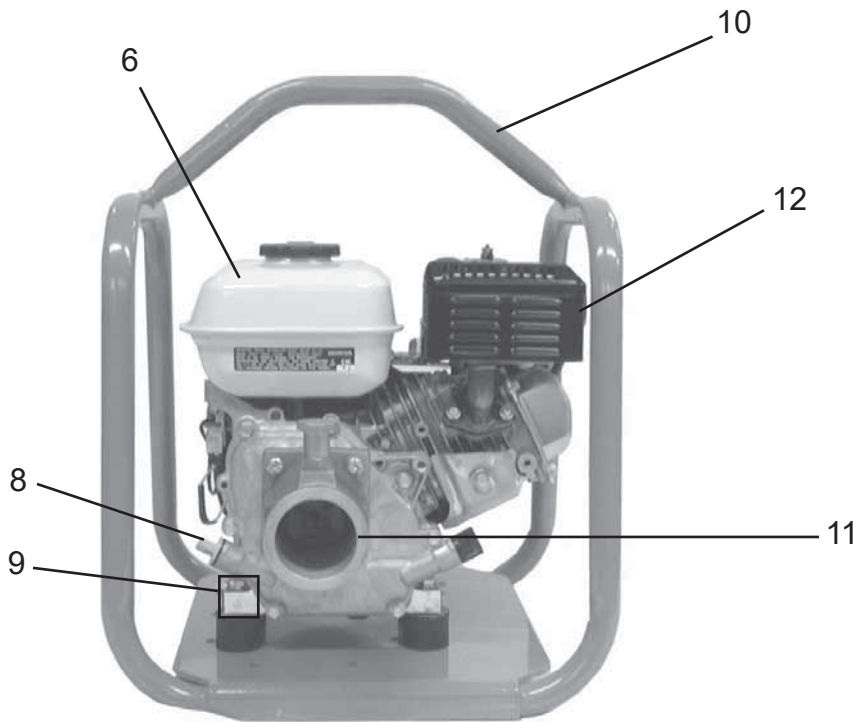
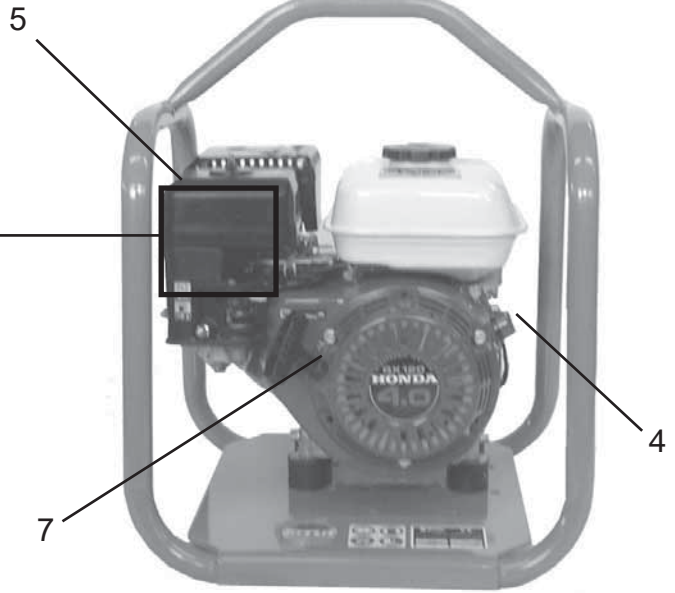
Contents

How to use this manual.....	10
Warning	10
Machine Description.....	11
Environment	11
Technical Data.....	12
General Safety	12
Health and Safety.....	12
Pre-Start Checks	13
Start & Stop Procedure	13 - 14
Connection Procedure.....	15
Operating The Power Unit.....	15
Trouble Shooting Guide	16
Servicing.....	16 - 17
Coupling Identification	18
Warranty	19
Replacement Parts.....	19
UKCA Declaration of Conformity.....	2
EC Declaration of Conformity.....	3

Altrad Belle reserves the right to change machine specification without prior notice or obligation.



Throttle
Choke
Fuel ON / OFF
Lever



1. Throttle lever.
2. Choke lever.
3. Fuel ON / OFF lever.
4. Engine ON / OFF switch.
5. Air Filter Housing.
6. Fuel Tank.
7. Recoil Starter Handle.
8. Engine Oil filler / dipstick.
9. Engine Oil Drain Plug.
10. Lifting Point.
11. Shaft Connector.
12. Exhaust.

N.B. Drawing based a Honda GX120 engine.
Please refer to the manufacturer's literature
for Yanmar, Hatz & Lombardini engine details.

Environment

Safe Disposal.



Instructions for the protection of the environment.
The machine contains valuable materials. Take the
discarded apparatus and accessories to the relevant
recycling facilities.

Component	Material
Frame	Steel
Petrol Engine	Aluminium
Diesel Engine	Aluminium
Flexible Mounts	Steel and Rubber
Shaft Connector	Steel



Technical Data

Model	Honda GX160	Loncin H135	Hatz 1B20	Lombardini 15LD225
Machine Width (mm)	420	420	430	430
Machine Height (mm)	520	520	630	630
Machine Length (mm)	445	445	500	500
Motor Power (Hp / Kw)	4.9 / 3.6	3.5 / 2.6	4.6 / 3.4	4.0 / 3.0
Machine Weight (kg)	26	24	43	38
Engine Speed (rpm)	2800	2800	2800	2800
Fuel Type	Unleaded	Unleaded	Diesel	Diesel



General Safety

For your own personal protection and for the safety of those around you, please read and ensure you fully understand the following safety information. It is the responsibility of the operator to ensure that he/she fully understands how to operate this equipment safely. If you are unsure about the safe and correct use of the Poker Power Unit, consult your supervisor or Altrad Belle.



CAUTION

Improper maintenance can be hazardous. Read and Understand this section before you perform any maintenance, service or repairs.

- This equipment is heavy and must not be lifted single-handedly, either **GET HELP** or use suitable lifting equipment.
- Cordon off the work area and keep members of the public and unauthorized personnel at a safe distance.
- Personal Protective Equipment (PPE) must be worn by the operator whenever this equipment is being used (see Health & Safety).
- Make sure you know how to safely switch this machine **OFF** before you switch it **ON** in case you get into difficulty.
- Always switch **OFF** the engine before transporting, moving it around the site or servicing it.
- During use the engine becomes very hot, allow the engine to cool before touching it. Never leave the engine running and unattended.
- Never remove or tamper with any guards fitted, they are there for your protection. Always check guards for condition and security, if any are damaged or missing, **DO NOT USE THE MACHINE** until the guard has been replaced or repaired.
- **DO NOT OPERATE THE MACHINE** when you are ill, feeling tired, or when under the influence of alcohol or drugs.

Fuel Safety.



WARNING

Fuel is flammable. It may cause injury and property damage. Shut down the engine, extinguish all open flames and do not smoke while filling the fuel tank. Always wipe up any spilled fuel.

- Before refuelling, switch off the engine and allow it to cool.
- When refuelling, **DO NOT** smoke or allow naked flames in the area.
- Spilt fuel must be made safe immediately, using sand. If fuel is spilt on your clothes, change them.
- Store fuel in an approved, purpose made container away from heat and ignition sources.



Health & Safety

Vibration

Some vibration from the trowelling operation is transmitted through the handle to the operator's hands. Refer to specifications & technical data for vibration levels and usage times (recommended maximum daily exposure time). **DO NOT** exceed the maximum usage times.

PPE (Personal Protective Equipment).

Suitable PPE must be worn when using this equipment i.e. Safety Goggles, Gloves, Ear Defenders, Dust Mask and Steel Toe capped footwear (with anti-slip soles for added protection). Wear clothing suitable for the work you are doing. Always protect skin from contact with concrete.

Dust.

The compaction process can produce dust, which may be hazardous to your health. Always wear a mask that is suited to the type of dust being produced.

Fuel.

Do not ingest fuel or inhale fuel vapors and avoid contact with your skin. Wash fuel splashes immediately. If you get fuel in your eyes, irrigate with copious amounts of water and seek medical attention as soon as possible.

Exhaust Fumes.

Do not operate your 'Poker Power Unit' indoors or in a confined space, make sure the work area is adequately ventilated.



WARNING

The exhaust fumes produced by this equipment are highly toxic and can kill!

Pre start-up inspection.

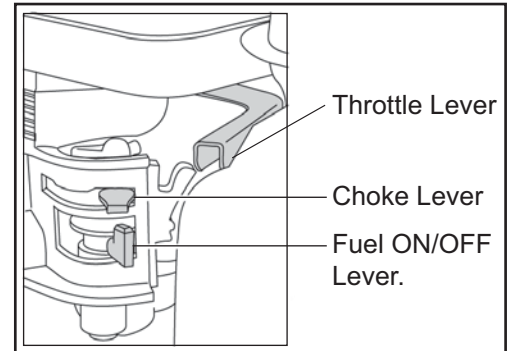
The following Pre-start-up inspection must be performed before the start of each work session or after every four hours of use, whichever is first. Please refer to the service section for detailed guidance. If any fault is discovered, the power unit must not be used until the fault is rectified.

1. Thoroughly inspect the Power Unit for signs of damage. Check components are present and secure.
2. Check the engine oil level and top up as necessary.
3. Check the engine fuel level and top up as necessary.
4. Check for fuel and oil leaks.

Start and Stop Procedure

Honda GX160 Petrol Engine

1. Open the fuel tap by moving the fuel ON / OFF lever fully to the right.
2. If starting the engine from cold, set the choke ON by moving the choke lever fully to the left. If restarting a warm engine, the choke is usually not required, however, if the engine has cooled to a degree, partial choke may be required.
3. Turn the engine ON / OFF switch clockwise to the 'I' position.
4. Set the throttle to the idle position by moving the throttle lever fully to the right. Do not start the engine on full throttle, as the compactor will vibrate as soon as the engine starts.
5. Taking a firm hold of the control handle with one hand, grasp the recoil starter handle with the other. Pull the recoil starter until engine resistance is felt, then let starter return.
6. Taking care not to pull the starter's rope fully out, pull the starter handle briskly.
7. Repeat until the engine fires.
8. Once the engine fires gradually set the choke lever to the OFF position by moving it to the right.
9. If the engine fails to fire after several attempts, follow the trouble-shooting guide on page 8.
10. To stop the engine, set the throttle to idle and turn the engine ON / OFF switch anticlockwise to the '0' position.
11. Turn the fuel off.



Loncin H135 Petrol Engine

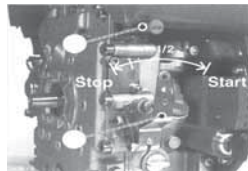
1. Move the fuel valve lever to the ON position.
2. To start a cold engine, move the choke lever to the CLOSE position.
To restart a warm engine, leave the choke lever in the OPEN position.
3. Move the throttle lever away from the SLOW position, about 1/3 of the way toward the FAST position.
4. Turn the engine switch to the ON position.
5. Pull the starter grip lightly until you feel resistance, then pull briskly. Return the starter grip gently.
6. If the choke lever has been moved to the CLOSE position to start the engine, gradually move it to the OPEN position as the engine warms up.

To stop the engine in an emergency, simply turn the engine switch to the OFF position. Under normal conditions, use the following procedure.

1. Move the throttle lever to the SLOW position.
2. Turn the engine switch to the OFF position.
3. Turn the fuel valve lever to the OFF position.

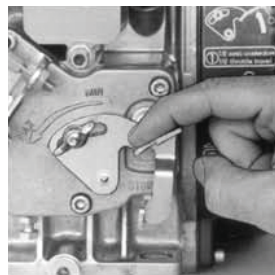
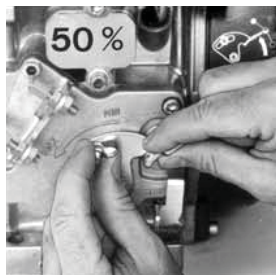
Hatz 1B20 Diesel Engine

1. Turn ON the fuel by moving the fuel ON/OFF lever fully to the right.
2. Set the engine speed control to start.
3. Taking a firm hold of the control handle with one hand, grasp the recoil starter handle with the other. Pull the handle until engine resistance is felt, then let the starter return.
4. Taking care not to pull the starter's rope fully out, pull the starter handle briskly with both hands.
5. Repeat this procedure until the engine fires.
6. If the engine fails to start after several attempts, consult the engine manual supplied with the machine.
7. To stop the engine, set the throttle control to idle, then press and hold the red stop button until the engine stops.

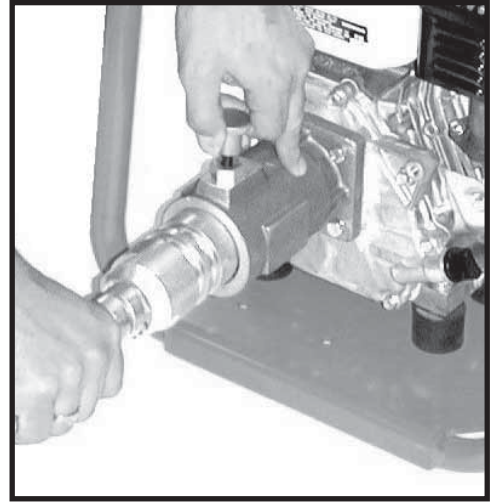


Lombardini 15LD225 Diesel Engine

1. Ensure the throttle control is at 50% of maximum speed (Halfway between **MIN** and **MAX**)
2. Take a firm hold of the recoil starter handle and pull the rope softly until it is extended to its full limit. Let the rope recoil completely. Start the engine by pulling strongly on the rope.
3. Repeat this procedure until the engine fires.
4. If the engine fails to start after several attempts, consult the engine manual supplied with the machine.
5. Leave the engine running at idle speed for 5 minutes.
CAUTION: During first 50 hours of use, do not exceed 70% of maximum rated power.
6. To stop the engine, set the throttle control to the **STOP** position until the engine stops.



1. To assemble the flexible drive to the power unit, raise the plunger knob on the flange and insert the flexible drive end piece connector.
2. On releasing the knob the plunger should locate in the end piece connector.
3. If the plunger fails to locate, rotate the engine crank shaft with the rope start or handle and push the end piece in.



Operating the Power Unit

- **Take the power unit to where it is required.**
If the power unit is to be transported to another location, ensure that the engine has been switched off. **NEVER** transport the power unit with the engine still running, even if it is only being moved a short distance.
- **Having carried out the checks listed in the 'pre start' section and you have connected the flexible shaft poker following the connection procedure, you may start the engine.**
The engine should now be running at idle speed. ALWAYS check the engine for any signs of unusual noise. If any of these occur, stop the machine immediately and refer to the troubleshooting section.
- **Set the throttle to maximum and the poker is now ready for insertion into the concrete.**
- To stop the power unit - refer to 'Start / Stop Procedure'

Note:

The engine speed is factory preset to a maximum of 2800 rpm. If this speed is increased it will cause damage to the flexible shaft poker and will invalidate the Altrad Belle Warranty.



Troubleshooting Guide

Problem	Cause	Remedy
Engine will not start.	No fuel getting to engine.	Open fuel tap.
		Fill fuel tank.
	Engine switched off.	Switch engine on.
	Spark plug fouled.	Clean, check and reset plug gap.
	Engine cold.	Close choke.
Engine flooded.		Honda, Open choke, fully open throttle pull recoil starter until engine fires.
		Hatz, move speed control to stop, pull recoil starter 5 times then repeat start procedure.
Engine still will not start.	Major Fault.	Contact Agent or Altrad Belle.



Servicing

MAINTENANCE

The Altrad Belle Poker Power Units are designed to give many years of trouble free operation. It is, however, important that the simple regular maintenance listed in this section is carried out. It is recommended that an approved Altrad Belle dealer carries out all major maintenance and repairs. Always use genuine Altrad Belle replacement parts, the use of spurious parts may void your warranty. Before any maintenance is carried out on the machine, switch off the engine. For petrol machines, disconnect the HT lead from the sparkplug. For diesel engined machines, ensure that the fuel cock is closed. Always set the Power Unit on level ground to ensure any fluid levels will be correctly read. Only use recommended oils (see chart below).

Running In Period

When the Poker Power Unit is first used from new, the engine oil must be changed after the initial running in period (see engine manual for full detail).

Routine Maintenance		After First 4 Hours	First Month / 20 Hours	3 Months / 50 Hours	6 Months / 100 Hours
Engine Oil	Check Level	✓			
	Change		✓		✓
Air Filter	Check Condition		✓		✓
	Clean / Replace			✓	
Spark Plug	Check / Clean				✓

Oil / Fuel Type & Quantity - Spark Plug Type

	Oil Type	Quantity (Litre)	Fuel Type	Capacity (Litre)	Spark Plug Type	Electrode Gap (mm)
Petrol Honda GX160	S.A.E. 10W 30	0.6	Unleaded	3.6	BM6ES or BPR6ES	0.6 - 0.7
Petrol Loncin H135	S.A.E. 10W 30	0.6	Unleaded	3.6	BM6ES or BPR6ES	0.7 - 0.8
Diesel Hatz 1B20	See Engine Manual	0.9	Diesel (BS2869)	3.0	n/a	n/a
Diesel Lombardini 15LD225	S.A.E. 15W 40	0.8	Diesel (BS2869)	2.5	n/a	n/a

Note:- Before carrying out any dismantling ensure that the machine is switched off.

Drive Dog Housing

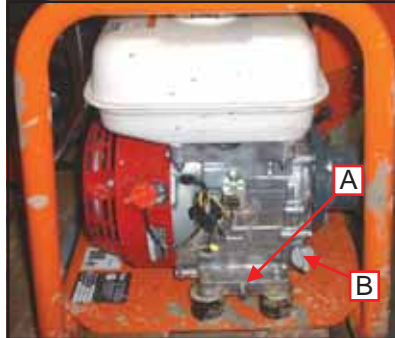
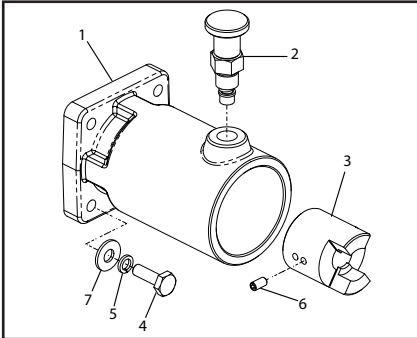
- To remove the drive dog housing, remove all four bolts (4), the drive dog housing should slide off. Remove the grub screw (6) from the drive dog (3) and the drive dog should slide off. **Re-assembly is opposite of the above.**

Engine Oil

- To replace the oil within the engine unscrew the bolt in the sump as shown (A) and allow the oil to drain out.
- To check or refill oil use the grey or black plastic bung (B) the oil level should be just to top of the bung hole. Refill with 10W 30 engine oil.

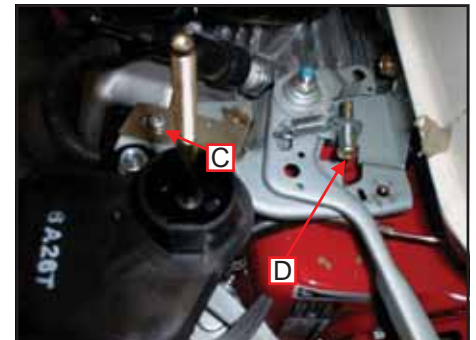
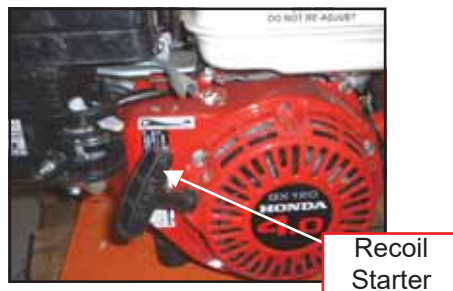
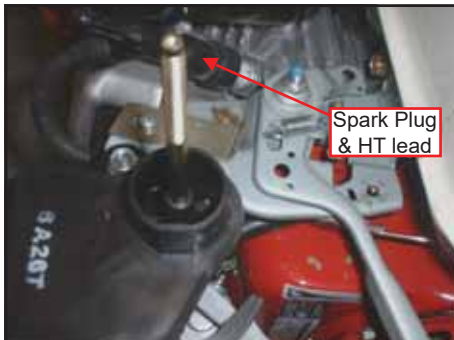
Air Filter

- To check or replace the air filter remove the wing nut on top of the black air filter cover, once this is removed, remove the second wing nut to remove the air filter (As shown below)



Spark Plug

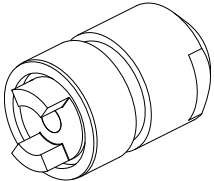
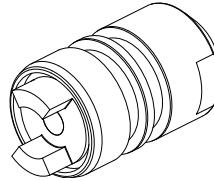
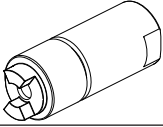
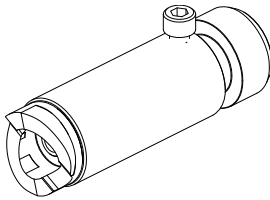
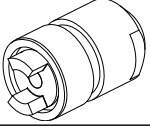
- To check or replace the spark plug remove the HT lead by pulling this away and remove the spark plug.
- To check the spark plug, refit the plug into the HT lead and hold the spark plug against the body work of the engine and pull the engine over by the recoil. (As below) **Re-assembly is opposite of the above.**



Resetting the Engine Speed

Note:- When checking or resetting the engine speed, do not exceed 2800RPM.

- To set the engine speed loosen the stop screw bracket (C) and pull back, start the engine and turn the screw (D) up or down to increase or decrease the engine speed. Once 2800 RPM has been achieved shut the engine down. Hold the throttle level in the maximum rev position and push the stop bracket back to this and screw back down.

Coupling	Manufacturer	Dia.	Part No.	Coupling	Manufacturer	Dia.	Part No.
	Dynapac, CEL, Sovemat, Winget, Wacker, GCM, Bartell	60mm	44.2.118		Errut	59.8mm	44.2.117
	Metrix	48.5mm	44.2.121		Fyne, Norton Clipper	1 7/8"	44.2.120
	Warsop	65mm	44.2.119				

Warranty



The following are not covered under the Altrad Belle warranty:

1. Damage caused by abuse, misuse, dropping or other similar damage caused by or as a result of failure to follow assembly, operation or user maintenance instructions.
2. Alterations, additions or repairs carried out by persons other than Altrad Belle or their recognised agents.
3. Transportation or shipment costs to and from Altrad Belle or their recognised agents, for repair or assessment against a warranty claim, on any machine.
4. Materials and/or labour costs to renew, repair or replace components due to fair wear and tear.

The following components are not covered by warranty.

- Engine air filter
- Engine spark plug

Altrad Belle and/or their recognised agents, directors, employees or insurers will not be held liable for consequential or other damages, losses or expenses in connection with or by reason of or the inability to use the machine for any purpose.

Warranty Claims

All warranty claims should firstly be directed to Altrad Belle, either by telephone, by Fax, by Email, or in writing.

For warranty claims:

Tel : +44 (0)1298 84606,

Fax : +44 (0)1298 84073,

Email : Warranty.dept@altrad-belle.com

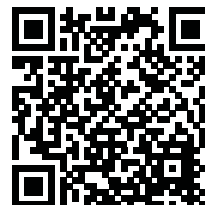
or Write to:

Altrad Belle Warranty Department, Sheen, Nr. Buxton, Derbyshire, SK17 0EU, England

Warranty Registration:

In the bid for ALTRAD Belle to become greener and more eco friendly, we have now introduced online Warranty registration. To access the registration page of our website, please use the following address:-

http://www.bellegroup.com/index.php?p=warranty_registration



Alternatively, please scan the adjacent QR Code (Quick Response Code) using your smartphone to access the registration page.

Replacement Parts



When maintaining this product only the manufacturers original, genuine replacement parts may be used.

The user will lose any possible claims if replacement parts used are other than the makers original replacement parts.

Replacement parts for this product can be ordered online 24 hours a day, 7 days a week at www.Altrad-Belle247.com

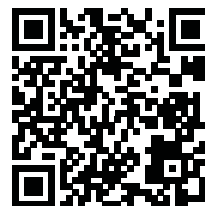
For more information regarding the availability of replacement parts for this product, please contact Altrad Belle using the following contact details:-

Tel:- +44 (0)1298 84606

Fax:- +44 (0)1298 84073

Email:- sales@altrad-belle.com

Alternatively, please scan the adjacent QR Code (Quick Response Code) using your smartphone to access the Altrad Belle online parts portal.



Ce manuel a été écrit pour vous aider à faire fonctionner et entretenir l'Unité d'Entraînement pour Vibrateur en toute sécurité. Ce manuel est prévu pour les revendeurs et opérateurs de l'Unité d'Entraînement pour Vibrateur.

Avant-propos

La section '**Description de l'appareil**' vous permettra de vous familiariser avec l'agencement et les commandes de l'appareil.

La section '**Environnement**' contient des instructions sur les méthodes de recyclage et d'élimination des appareils dans le respect de l'environnement.

Les sections '**Consignes de sécurité générales**' et '**Santé et sécurité**' expliquent la manière dont il faut utiliser l'appareil pour assurer votre sécurité et celle des membres du public, en général.

Le paragraphe '**Procédure de Mise en route / Arrêt**' vous facilite la mise en route et l'arrêt de l'appareil.

Les sections '**Procédure de Raccordement**' et '**Utilisation de l'Unité d'Entraînement**' vous aideront avec la mise en place et le fonctionnement de l'unité.

La section '**Dépistage des anomalies**' vous donne des conseils en cas de problèmes concernant votre appareil.

La section '**Entretien et révision**' vous donne des conseils sur l'entretien général et les révisions de votre appareil.

La section '**Garantie**' donne des renseignements sur la couverture sous garantie et la méthode à suivre pour les réclamations sous garantie.

Renseignements concernant les notations utilisées dans ce manuel.

Dans ce manuel, il faut prêter une attention toute particulière au texte signalé comme suit :



ATTENTION

Ce produit peut présenter des risques. Si les méthodes indiquées ne sont pas rigoureusement respectées, l'appareil ou l'opérateur risque de subir des dommages / blessures.



AVERTISSEMENT

Il peut y avoir un danger mortel pour l'opérateur.

AVERTISSEMENT



AVERTISSEMENT

*Avant d'utiliser ou d'effectuer toute intervention d'entretien dans cette machine, il est **IMPERATIF** de **LIRE** et **d'ASSIMILER** le contenu de ce manuel.*

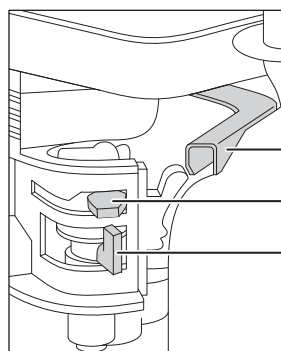
Il faut **SAVOIR** comment utiliser les commandes en toute sécurité, et avoir assimilé les mesures à prendre pour effectuer un entretien en toute sécurité. (NB : Avant de le mettre en route, il faut savoir comment arrêter l'appareil, en cas de difficultés éventuelles).

Il faut **TOUJOURS** porter ou utiliser les articles de protection appropriés pour assurer votre protection personnelle.

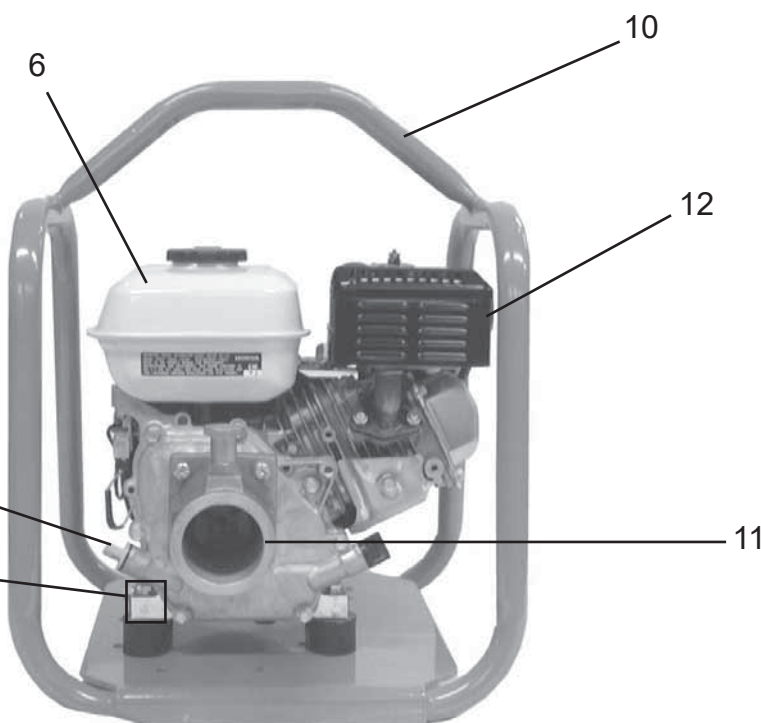
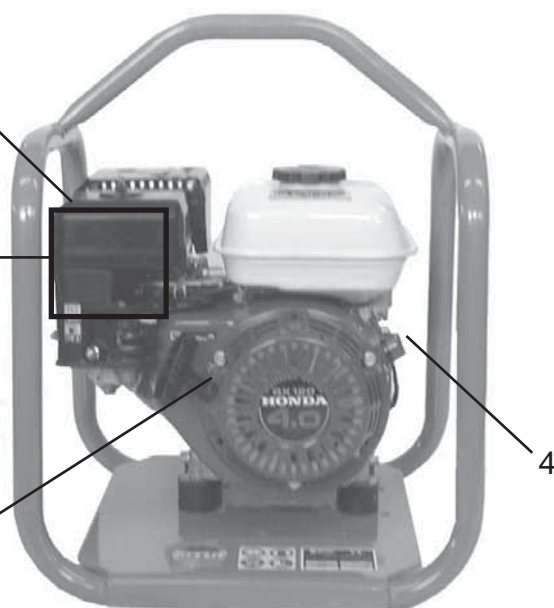
Pour **TOUTES QUESTIONS EVENTUELLES** sur l'utilisation ou l'entretien en toute sécurité de cet appareil, **CONSULTEZ VOTRE RESPONSABLE OU CONTACTEZ Altrad Belle: +44 (0)1298 84606**

Sommaire

Comment Utiliser Ce Manual	20
Avertissement.....	20
Description de l'appareil.....	21
Environnement	21
Caractéristiques techniques	22
Consignes de sécurité générales	22
Santé et sécurité	22
Contrôles de sécurité préalables au démarrage.....	23
Procédures de mise en route / arrêt	23 - 24
Procédure de Raccordement	25
Utilisation de l'Unité d'Entraînement.....	25
Guide de dépistage des anomalies	26
Entretien.....	26 - 27
Identification raccord	28
Garantie	29
Pièces de Rechange.....	29
Déclaration CE de conformité	4



Levier de commande des gaz
 Levier de starter
 Levier Ouverture / Coupure de carburant



1. Levier de commande des gaz
2. Levier de starter
3. Levier Ouverture / Coupure de carburant
4. Interrupteur de Marche / Arrêt du moteur
5. Boîtier de filtre à air
6. Réservoir à carburant.
7. Manette de démarreur à rappel
8. Jauge de remplissage / niveau d'huile moteur
9. Bouchon de vidange d'huile moteur
10. Point prévu pour le levage.
11. Borne d'arbre.
12. Echappement.

N.B.: Plan basé sur la moteur Honda GX120.
 Pour tous renseignements sur le moteur Yanmar, Hatz & Lombardini prière de consulter la documentation du fabricant.

Environnement

Elimination en toute sécurité.



Instructions pour le respect de l'environnement. Cet appareil contient des matériaux recyclables. Pour vous débarrasser de l'appareil, prière d'emmener l'appareil et les accessoires dans une décharge de recyclage agréé.

Composant	Material
Frame	Acier
Moteur D'essence	Aluminium
Moteur Diesel	Aluminium
Montants Souples	Acier et Caoutchouc
Borne d'arbre	Acier

Model	Honda GX160	Loncin H135	Hatz 1B20	Lombardini 15LD225
Largeur hors tout (mm)	420	420	430	430
Hauteur hors tout (mm)	520	520	630	630
Longueur hors tout (mm)	445	445	500	500
Puissance du Moteur (Hp / kW)	4.9 / 3.6	3.5 / 2.6	4.6 / 3.4	4.0 / 3.0
Poids d'appareil (kg)	26	24	43	38
Vitesse du Moteur (rpm)	2800	2800	2800	2800
Type de Carburant	Unleaded	Unleaded	Diesel	Diesel

Pour votre protection personnelle et pour la sécurité des personnes qui se trouvent à proximité, prière de lire et de bien assimiler les consignes de sécurité suivante. Il incombe à l'opérateur de s'assurer qu'il a bien assimilé la manière d'utiliser cet équipement en toute sécurité. Si vous n'êtes pas sûr au sujet de l'utilisation sûre et correcte de l'Unité d'Entraînement pour Vibreur, prière de consulter votre responsable ou Altrad Belle.

**ATTENTION**

Un entretien mal fait ou une utilisation incorrecte risque d'être dangereux(se). Lisez et assimilez les consignes de sécurité et les conseils d'utilisation avant d'effectuer des opérations d'entretien, de service ou des réparations.

- Ce matériel est lourd et ne doit pas être soulevé par une seule personne. **OBTENEZ DE L'AIDE** ou utilisez un équipement de levage approprié. Il existe un ensemble spécial pour le transport du compacteur (voir options).
- Balisez la zone de travail et éloignez les membres du public et tout le personnel non autorisé à une distance sûre.
- Il est impératif que l'opérateur porte un équipement de protection individuelle à chaque fois qu'il utilise cet appareil (voir "Santé et sécurité").
- Vérifiez que vous savez comment couper cet appareil avant de le mettre en marche, en cas de difficultés.
- Il faut toujours COUPER le moteur avant de le transporter, de le déplacer ou avant toute intervention.
- Le moteur peut devenir très chaud en cours d'usage. Attendez que le moteur soit refroidi avant de le toucher. Ne laissez jamais le moteur tourner sans surveillance.
- Il ne faut jamais retirer ni modifier les capots de protection installés. Ils sont prévus pour votre protection. Il faut toujours vérifier que les capots sont en bon état et sont bien fixés. Si l'un des capots est endommagé ou manquant, **IL NE FAUT PAS UTILISER L'APPAREIL** tant que le capot n'est pas remis en place ou réparé.
- **IL NE FAUT PAS UTILISER L'APPAREIL** si vous ne vous sentez pas bien, si vous êtes fatigué ou si vous avez abusé d'alcool ou de stupéfiants.

Consignes de sécurité concernant le carburant.**ATTENTION**

Le carburant est inflammable. Il risque de causer des blessures et des dégâts. Coupez le moteur, éteignez toutes les flammes nues et ne fumez pas pendant le remplissage du réservoir de carburant. Essayez toujours tout carburant renversé.

- Avant de faire l'appoint de carburant, coupez le moteur et attendez qu'il ait refroidi.
- Pendant le remplissage, **IL NE FAUT** ni fumer ni autoriser les flammes nues dans cette zone.
- Il faut toujours sécuriser immédiatement avec du sable tout déversement de carburant. Si du carburant s'est renversé sur vos vêtements, il faut vous changer.
- Entrepochez le carburant dans un récipient prévu pour cela et agréé, à l'écart de la chaleur et de toutes sources de combustion.

Vibrations

Une partie des vibrations provoquées par le compactage est transmise par le guidon aux mains de l'opérateur. La gamme de plaques de compactage Errut est spécialement conçue pour réduire les niveaux de vibrations dans les mains/bras. Reportez-vous aux caractéristiques et aux spécifications pour établir le niveau des vibrations et les durées d'utilisation (durée d'exposition quotidienne maximale recommandée). **IL NE FAUT PAS** dépasser la durée d'utilisation maximale.

EPI (Équipement de protection individuelle).

Lors de l'utilisation de cet appareil, il est impératif de porter un EPI approprié (ex. lunettes de protection, gants de protection, casque antibruit et chaussures à embout d'acier). Il faut porter des vêtements adaptés au travail. Attachez les cheveux longs pour les dégager et ne portez pas de bijoux susceptibles de s'accrocher aux pièces mobiles de l'appareil.

Poussière.

Le procédé de compactage produit éventuellement de la poussière qui risque d'être nocive pour la santé. Il faut toujours porter un masque approprié au type de poussière produite.

Carburant.

Il ne faut pas avaler ni inhaler les vapeurs de carburant, et il faut éviter tout contact avec la peau. Lavez immédiatement les éclaboussures de carburant. En cas d'éclaboussures de carburant dans les yeux, il faut les rincer à grande eau et consulter un médecin dès que possible.

Fumées d'échappement

Il ne faut pas faire fonctionner la Power Unit à l'intérieur ou dans un espace confiné. Veillez à travailler dans un local suffisamment ventilé.

**AVERTISSEMENT**

Les gaz d'échappement de cet appareil sont très toxiques et peuvent entraîner la mort!

Contrôles préalables au démarrage

F

Inspection préalable au démarrage

Il faut effectuer l'inspection suivante préalable au démarrage avant le début de chaque séance de travail, ou toutes les quatre heures d'utilisation, selon ce qui est échu en premier. Pour des instructions détaillées, veuillez-vous reporter à la section «Révision». Si n'importe que défaut est découvert, l'unité d'entraînement ne doit pas être utilisée avant que le défaut ne soit corrigé.

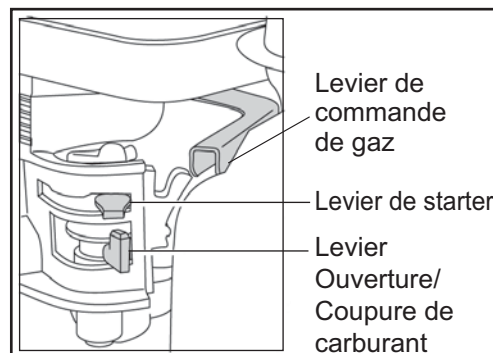
1. Inspecter soigneusement l'Unité d'Entraînement pour des signes d'endommagement. Vérifiez que les composants sont tous présents et bien fixés. Faites particulièrement attention au capot de protection de la courroie d'entraînement situé entre le moteur et le vibrateur.
2. Vérifiez le niveau d'huile moteur et faites l'appoint, le cas échéant.
3. Vérifiez le niveau de carburant du moteur et faites l'appoint, le cas échéant.
4. Vérifiez qu'il n'y a pas de fuites de carburant ni d'huile.

Procédure de mise en route et d'arrêt

F

Moteur D'essence Honda GX160

1. Pour ouvrir le robinet d'essence, déplacez le levier **OUVERTURE / COUPURE** de carburant à fond vers la droite.
2. Si le moteur démarre à froid, mettez le starter en amenant le levier de starter à fond vers la gauche. Si le moteur redémarre à chaud, il n'est généralement pas nécessaire d'introduire le starter, mais si le moteur s'est refroidi dans une certaine mesure, il peut s'avérer nécessaire de mettre partiellement le starter.
3. Tournez le bouton **OUVERTURE / COUPURE** du moteur dans le sens des aiguilles d'une montre pour l'amener à la position «I».
4. Pour mettre le papillon à la position de ralenti, déplacez le levier de papillon à fond vers la droite. Ne faites pas démarrer le moteur à pleins gaz sinon la plaque de compactage risque de vibrer dès que le moteur démarre.
5. Prenez fermement la manette de commande d'une main et saisissez la manette du démarreur à rappel de l'autre. Tirez le démarreur à rappel jusqu'à ce que vous ressentiez une résistance du moteur, puis laissez le démarreur revenir en place.
6. En faisant attention à ne pas tirer complètement le cordon du démarreur, tirez vivement la manette du démarreur.
7. Recommencez cette manœuvre à plusieurs reprises jusqu'à ce que le moteur tourne.
8. Dès que le moteur tourne, mettez progressivement le levier de starter à la position **COUPEE** en le déplaçant vers la droite.
9. Si, au bout de plusieurs tentatives, le moteur ne tourne toujours pas, reportez-vous au guide de dépiage des anomalies.
10. Pour couper le moteur, mettez le papillon à la position de ralenti et tournez le bouton **OUVERTURE / COUPURE** du moteur dans le sens contraire des aiguilles d'une montre jusqu'à la position «0».
11. Coupez l'arrivée du carburant.



Moteur D'essence Loncin H135

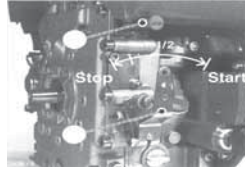
1. Déplacez le levier du robinet de carburant en position « marche ».
2. Pour démarrer un moteur froid, placez le levier de starter en position « fermé ». Pour redémarrer un moteur chaud, laissez le levier de starter en position « ouverte ».
3. Éloignez la manette des gaz de la position « lente », à environ 1/3 du chemin vers la position « rapide ».
4. Tournez le commutateur du moteur en position « marche ».
5. Tirez légèrement sur la poignée du démarreur jusqu'à ce que vous sentiez une résistance, puis tirez vivement. Remettez doucement la poignée du lanceur.
6. Si le levier de starter a été déplacé vers la position « fermée » pour démarrer le moteur, déplacez-le progressivement vers la position « ouverte » pendant que le moteur se réchauffe.

Pour arrêter le moteur en cas d'urgence, il suffit de mettre l'interrupteur du moteur en position « arrêt ». Dans des conditions normales, utilisez la procédure suivante.

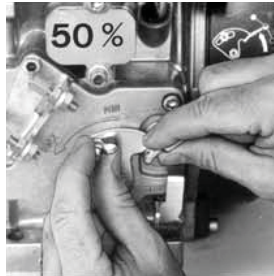
1. Déplacez la manette des gaz en position « lente ».
2. Tournez l'interrupteur du moteur en position « arrêt ».
3. Tournez le levier du robinet de carburant en position « arrêt ».

Moteur Diesel Hatz 1B20

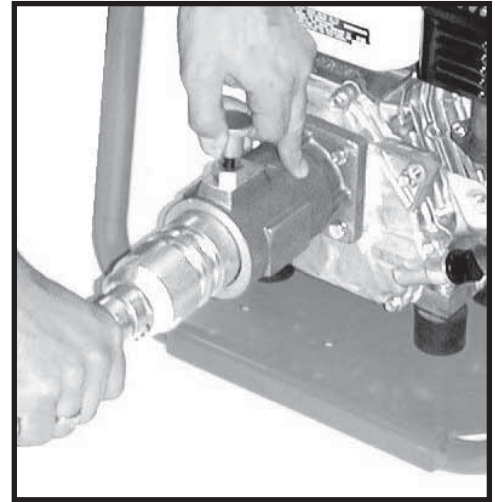
1. Pour ouvrir l'alimentation en carburant, mettez le levier **OUVERTURE / COUPURE** de carburant à fond vers la droite.
2. Réglez le régulateur de vitesse du moteur pour démarrer.
3. Prenez fermement la manette de commande d'une main et saisissez la manette du démarreur à rappel de l'autre. Tirez le démarreur à rappel jusqu'à ce que vous ressentiez une résistance du moteur, puis laissez le démarreur revenir en place.
4. En faisant attention à ne pas tirer complètement le cordon du démarreur, tirez vivement la manette du démarreur.
5. Recommencez cette manœuvre à plusieurs reprises jusqu'à ce que le moteur tourne.
6. Si, au bout de plusieurs tentatives, le moteur ne tourne toujours pas, reportez-vous au manuel du moteur livré avec la plaque de compactage.
7. Pour couper le moteur, mettez le papillon à la position de ralenti, puis appuyez et maintenez le bouton d'arrêt rouge jusqu'à l'arrêt du moteur.

**Moteur Diesel Lombardini 15LD225**

1. Assurez-vous que la commande des gaz soit à 50% de la vitesse maximum (à mi-chemin entre MIN et MAX)
2. Prenez fermement la poignée du lanceur à rappel et tirez doucement la corde jusqu'à son extension complète. Laissez la corde se réenrouler complètement. Démarrez le moteur en tirant fortement sur la corde.
3. Répétez cette procédure jusqu'à ce que le moteur démarre.
4. Si le moteur ne démarre pas après plusieurs essais, consultez le manuel du moteur fourni avec la machine.
5. Laissez le moteur tourner au ralenti pour 5 minutes.
ATTENTION: Lors des premières 50 heures d'utilisation, ne dépassez pas 70% de la puissance nominale.
6. Pour arrêter le moteur, mettez le levier de commande des gaz sur la position STOP jusqu'à ce que le moteur s'arrête.



1. Pour assembler le flexible d'entraînement à l'unité d'entraînement, levez le bouton poussoir sur la bride et insérez la pièce de raccordement du flexible d'entraînement.
2. En relâchant le bouton, le poussoir devrait se loger dans la pièce de raccordement.
3. Si le poussoir ne se loge pas, tournez le vilebrequin du moteur avec la poignée ou la corde de démarrage et poussez la pièce à l'intérieur.



Utilisation de l'Unité d'Entraînement

- **Amenez l'unité d'entraînement là où elle est nécessaire.**
Si l'unité d'entraînement doit être transportée à un autre endroit, assurez-vous que le moteur a été éteint. Ne transportez JAMAIS l'unité d'entraînement avec le moteur toujours en marche, même si c'est seulement pour la déplacer pour une courte distance.
- **Après avoir entrepris les vérifications énumérées dans la section « avant démarrage » et que vous avez raccordé l'arbre flexible du vibreur selon la procédure de raccordement, vous pouvez démarrer le moteur.**
Le moteur devrait maintenant tourner au ralenti. Vérifiez TOUJOURS le moteur pour n'importe quels signes de bruits inhabituels. Si n'importe lequel arrive, arrêtez la machine immédiatement et référez-vous à la section de dépannage.
- **Placez la commande au maximum et le vibreur est maintenant prêt à être inséré dans le béton.**
- Pour arrêter l'unité d'entraînement – référez-vous à la « Procédure de Démarrage / Arrêt »

Note :
La vitesse du moteur est réglée d'usine à un maximum de 2800 tr/mn. Si la vitesse est augmentée cela causera de dommages à l'arbre flexible du vibreur et invalidera la garantie Altrad Belle.

Problème	Cause	Action
Le moteur ne démarre pas	Pas de carburant.	Ouvrir le robinet de carburant.
		Remplir le réservoir de carburant.
	Moteur coupé.	Mettre le contact.
	Bougie encrassée.	Nettoyer, puis régler l'entrefer de la bougie.
	Moteur froid.	Fermer le starter.
Moteur noyé.		Honda, ouvrir le starter, pleins gaz, tirer le démarreur à rappel jusqu'au lancement du moteur.
		Hatz, amener le régulateur de vitesse à la position. Arrêt, tirer le démarreur à rappel à 5 reprises, puis
Le moteur ne démarra toujours pas.	Problème majeur.	Contactez votre revendeur ou Altrad Belle.

ENTRETIEN

Les Unités d'Entraînement de Vibrateur Altrad Belle sont conçues pour donner de nombreuses années de fonctionnement sans problèmes. Toutefois, il est important d'effectuer régulièrement les opérations d'entretien simples figurant sur la liste de cette section. Il est recommandé de s'adresser à un concessionnaire agréé Altrad Belle pour effectuer toutes les opérations d'entretien importantes et toutes les réparations éventuelles. Il faut toujours utiliser des pièces d'origine Altrad Belle. L'utilisation de pièces de marque autre que la marque Altrad Belle risque d'annuler votre garantie. Avant d'effectuer des opérations d'entretien sur l'appareil, coupez le moteur. S'il s'agit d'un appareil à moteur à essence, débranchez le fil HT de la bougie. Pour les machines à moteur diesel, assurez-vous que le robinet de carburant est fermé. Placez toujours l'Unité d'Entraînement sur un sol à niveau pour s'assurer une lecture de niveau correcte de n'importe quel fluide. Utilisez uniquement les huiles préconisées (voir le tableau page suivante).

Rodage

Quand l'unité moteur est utilisée pour la première fois, l'huile moteur doit être changée après la période de rodage (voir le manuel moteur pour plus de détails).

Fréquence d'entretien		Premier 4 heures	Premier Mois / 20 heures	3 Mois / 50 heures	6 Mois / 100 heures
Huile Moteur	Vérifier le niveau	✓			
	Vidanger		✓		✓
Filtre à air	Vérifier l'état		✓		✓
	Nettoyer / Vidanger			✓	
Bougie	Vérifier / Nettoyer				✓

Type et quantité d'huile/de carburant - Type de bougie

	Type d'huile	Quantité (Litre)	Type de Carburant	Capacité (Litre)	Bougie Type	Entrefer d'électrode (mm)
Moteur à essence Honda GX160	S.A.E. 10W 30	0.6	Sans Plomb	3.6	BM6ES ou BPR6ES	0.6 - 0.7
Moteur à essence Loncin H135	S.A.E. 10W 30	0.6	Sans Plomb	3.6	BM6ES ou BPR6ES	0.7 - 0.8
Moteur à Diesel Hatz 1B20	Voir Manual	0.9	Diesel (BS2869)	3.0	n/a	n/a
Moteur à Diesel Lombardini 15LD225	S.A.E. 15W 40	0.8	Diesel (BS2869)	2.5	n/a	n/a

Note :- Avant d'entreprendre n'importe quel démontage, assurez-vous que la machine est éteinte.

Logement du Crabot d'Entraînement

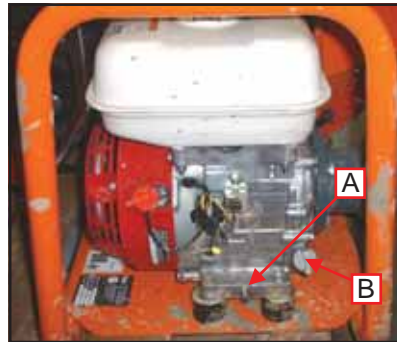
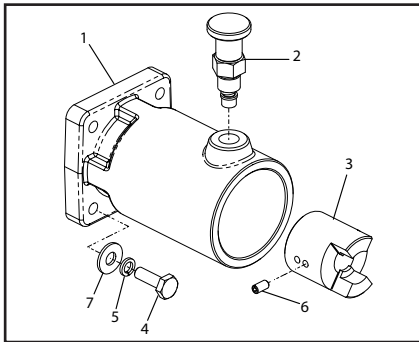
- Pour retirer le logement du crabot d'entraînement, enlevez chacun des quatre boulons (4), le logement du crabot d'entraînement devrait glisser. Enlevez la vis sans tête (6) du crabot d'entraînement (3) et le crabot d'entraînement devrait glisser. Le réassemblage est le contraire de ci-dessus.

Huile Moteur

- Pour remplacer l'huile dans le moteur dévissez le boulon sur le carter d'huile comme montré (A) et laissez l'huile se vidanger.
- Pour vérifier ou remplir l'huile utilisez le bondon (B) noir ou gris, le niveau d'huile devrait être juste au niveau du trou du bondon. Remplissez avec une huile pour moteur 10W 30.

Filtre à Air

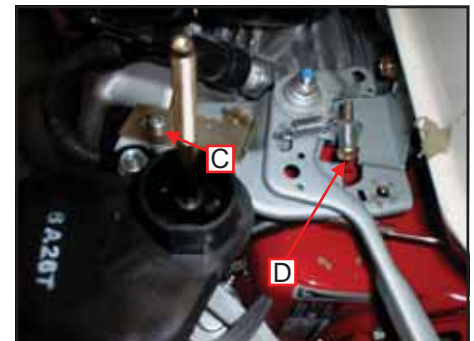
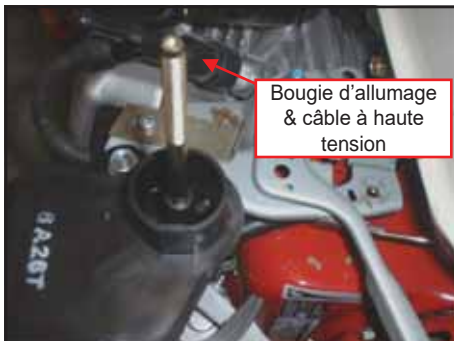
- Pour vérifier ou remplacer le filtre à air, enlevez l'écrou-papillon sur le dessus du couvercle noir du filtre à air, une fois qu'il est retiré, enlevez la second écrou-papillon pour retirer le filtre à air (Comme montré ci-dessous)



Bougie d'Allumage

- Pour vérifier ou remplacer la bougie d'allumage, retirez le câble à haute tension en le tirant et enlevez la bougie d'allumage.
- Pour vérifier la bougie d'allumage, remontez la bougie sur le câble à haute tension et tenez la bougie d'allumage contre la carrosserie du moteur et tirez le lanceur à rappel pour démarrer le moteur. (Comme ci-dessous)

Le réassemblage est le contraire de ci-dessus.

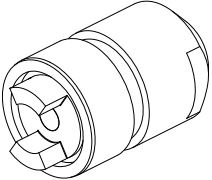
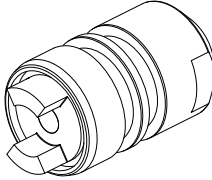
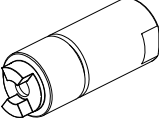
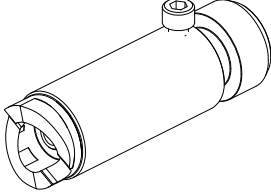
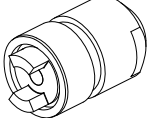


Rajustement de la Vitesse du Moteur

Note :- Lors de la vérification ou du rajustement de la vitesse du moteur, n'excédez pas 2800 tr/mn.

- Pour ajuster la vitesse du moteur desserrez le support de la vis d'arrêt (C) et retirez-le, démarrez le moteur et tournez la vis (D) vers le haut ou le bas pour augmenter ou diminuer la vitesse du moteur. Une fois que la vitesse de 2800 tr/mn est atteinte, éteignez le moteur. Tenez le levier de commande dans la position rotation maximale et poussez le support d'arrêt en place et revissez-le.

Identification raccord

Raccord	Fabriquant	Dia.	Numéro	Raccord	Fabriquant	Dia.	Numéro
	Dynapac, CEL, Sovemat, Winget, Wacker, GCM, Bartell	60mm	44.2.118		Errut	59.8mm	44.2.117
	Metrix	48.5mm	44.2.121		Fyne, Norton Clipper	1 7/8"	44.2.120
	Warsop	65mm	44.2.119				

Votre nouvelle Unité d'Entraînement pour Vibrateur Altrad Belle est garantie à l'acheteur original pour une période d'un an (12 mois) à la date originale d'achat. La garantie Altrad Belle est contre les défauts de conception, matériaux et sa construction.

La garantie Altrad Belle ne couvre pas ce qui suit :

1. Dégâts causés par un usage abusif, négligent, une chute ou tous autres dégâts similaires causés par le non-respect des instructions concernant l'assemblage, l'utilisation ou les opérations d'entretien à effectuer par l'utilisateur, ou résultant de celle-ci.
2. Toutes modifications, additions ou réparations effectuées par des personnes autres que les responsables de Altrad Belle ou ses agents agréés.
3. Les frais de transport ou d'expédition pour retourner l'appareil à Altrad Belle, ou ses agents agréés, et le renvoyer, en vue de le faire réparer ou évaluer après revendication sous garantie.
4. Les coûts des matériaux et/ou de la main-d'œuvre requis pour remplacer, réparer ou renouveler les composants en raison d'une usure raisonnable.

Sont exclus de la garantie les composants suivants :

- Filtre à air de moteur
- Bougie de moteur

Altrad Belle et/ou ses agents agréés, directeurs, employés ou assureurs ne sont pas tenus responsables de tous dégâts conséquents ou autres, pertes ou dépenses encourus en relation avec l'utilisation de l'appareil, ou l'incapacité d'utiliser l'appareil dans un but quel qu'il soit.

Réclamations sous garantie.

Il faut tout d'abord adresser toutes réclamations sous garantie à Altrad Belle par téléphone, fax, e-mail ou par courrier.

Pour les revendications sous garantie :

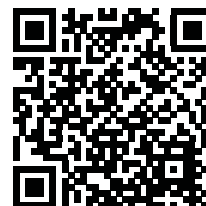
Altrad Belle Warranty Department,
Sheen,
Nr. Buxton,
Derbyshire,
SK17 0EU,
GB

Service d'enregistrement de garantie

Dans notre démarche pour devenir plus vert et plus respectueux de l'environnement, Altrad Belle a introduit un service d'enregistrement de garantie en ligne. Pour accéder à la page d'inscription sur notre site internet, veuillez utiliser l'adresse suivante:

http://www.bellegroup.com/index.php?p=warranty_registration

Sinon vous pouvez également scanner à l'aide de votre smartphone le code QR adjacent pour accéder à la page d'inscription.



Pièces de Rechange

Lors de l'entretien de ce produit, seules les pièces de rechange d'origine du fabricant peuvent être utilisées.

L'utilisateur perdra toute réclamation éventuelle si les pièces de rechange utilisées sont autres que les pièces de rechange d'origine du fabricant.

Vous trouverez un PDF des listes de pièces pour ce produit dans la section «produit» de notre site web www.Altrad-Belle.com
Des informations sur l'approvisionnement en pièces de rechange auprès de votre revendeur local peuvent être trouvées dans la section «contactez-nous»



Uso De Este Manual

El objeto de este manual es el de servirle de ayuda en el uso y mantenimiento de la Unidad de Fuerza de Vibración. Dirigido a distribuidores y usuarios de este equipo.

Prólogo

La sección '**Descripción de la máquina**' le permitirá familiarizarse con la disposición y los comandos de la máquina.

La sección dedicada al '**Medioambiente**' comprende instrucciones sobre el reciclado de aparatos descartados, con el fin de proteger el entorno.

Las secciones de '**Seguridad General**' y de '**Sanidad y Seguridad**' explican como debe usarse la máquina para asegurar tanto la seguridad del operador como la del público en general.

El '**Procedimiento de Arranque y Parada**' le enseña como arrancar y parar la máquina.

Los apartados de '**Procedimiento de Conexión**' y '**Operativa con la Unidad de Fuerza**' son de utilidad para la realización de los trabajos de puesta en marcha y trabajo con la unidad.

La sección de '**Resolución de Problemas**' le ayudará a resolver los problemas que surjan con la máquina.

La sección de '**Revisión**' le proporcionará ayuda en el mantenimiento general y en los trabajos de revisión de la máquina.

La sección de '**Garantía**' da detalles del tipo de garantía y le indica el procedimiento para presentar reclamaciones.

Directivas relativas a las notas.

El texto de este manual al que se debe prestar atención especial está indicado de la siguiente manera:



ATENCIÓN

El producto puede representar un riesgo. El incumplimiento de los procedimientos indicados podrá dañar la máquina o lesionar al operador.



AVISO

La vida del operador corre riesgo.



AVISO



AVISO

*Antes de operar o realizar ningún trabajo de mantenimiento en esta máquina **LEA Y APRENDA BIEN** todas las instrucciones dadas en este manual.*

APRENDA a emplear con seguridad los comandos de la máquina y lo que se debe hacer para lograr un mantenimiento seguro.

(**NOTA:** Aprenda bien a desconectar la máquina antes de conectarla, en caso de que se enfrente con dificultades.)

Lleve o use **SIEMPRE** los equipos de protección personal necesarios.

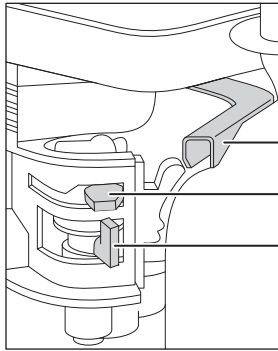
En caso de **DUDAS** sobre el uso o mantenimiento seguros de la máquina, **LLAME A SU SUPERVISOR O CONTACTE Altrad Belle:**

+44 (0)1298 84606

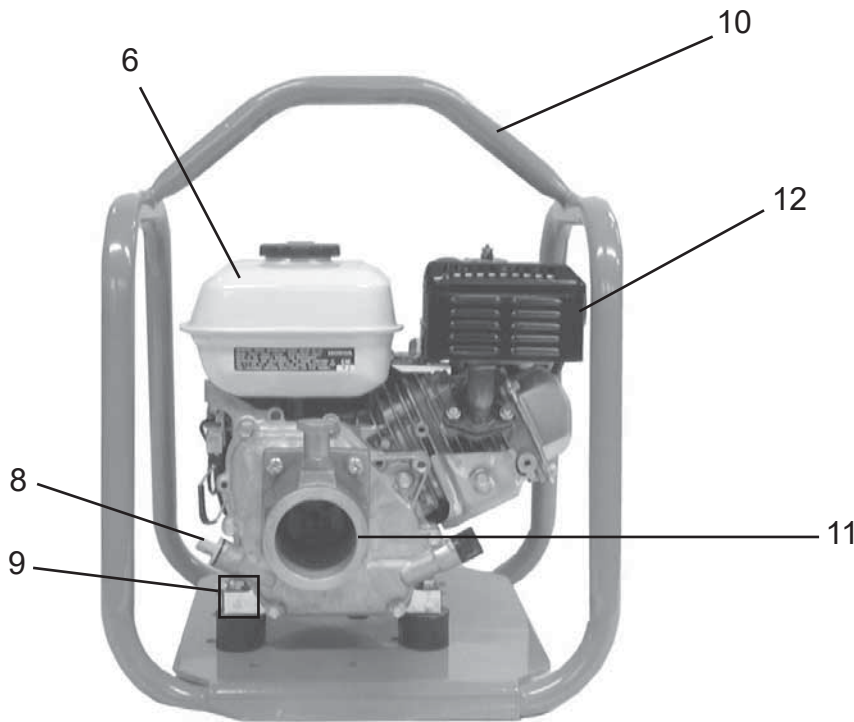
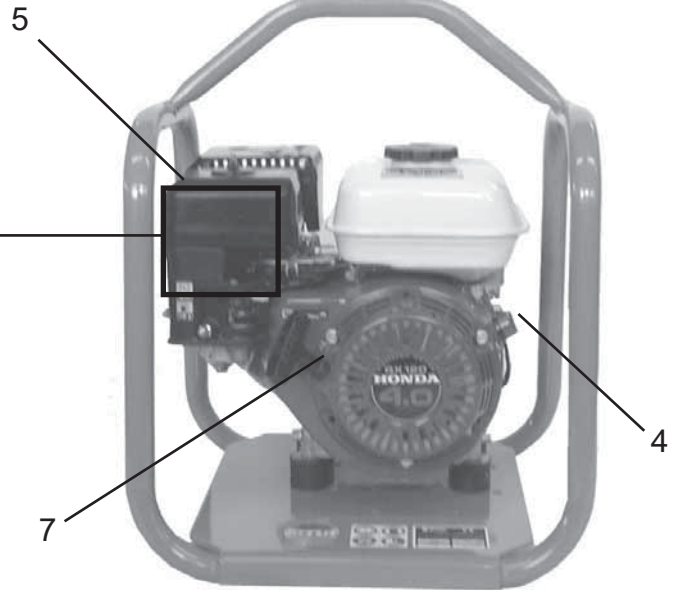


Índice

Uso de este manual.....	30
Aviso	30
Descripción de la máquina	31
Medioambiente	31
Datos técnicos	32
Seguridad General	32
Sanidad y Seguridad	32
Chequeos antes del arranque	33
Procedimiento De Arranque Y Parada	33 - 34
Procedimiento de Conexión	35
Operativa con la Unidad de Fuerza.....	35
Resolución de problemas	36
Revisión	36 - 37
Identificación de Acoplamientos	38
Garantie	39
Piezas de Repuesto	39
Declaración CE de Conformidad	5



Regulador
Estrangulador
Palanca ABERTURA / CIERRE carburante



1. Palanca del acelerador
2. Palanca de regulación.
3. Palanca de ABERTURA/CIERRE del carburante.
4. Conmutador de ENCENDIDO/ APAGADO del motor.
5. Alojamiento del filtro de aire.
6. Tanque de carburante.
7. Palanque del arranque.
8. Tapón/varilla medición del aceite en el motor.
9. Tapón de drenaje del aceite de motor.
10. Punto de levantamiento.
11. Conector del eje.
12. Escape.

NOTA: Plano basado en un motor Honda GX120. Para detalles del motor Yanmar, Hatz & Lombardini véase el manual del fabricante.

Medioambiente

Dispositif de sécurité.



Recommandations pour la protection de l'environnement. Cet appareil contient des matériaux recyclables. Veuillez apporter les appareils et les accessoires dont vous voulez vous débarrasser aux endroits prévus pour le recyclage.

Composante	Material
Frame	Acero
Motor à Gasolina	Aluminio
Motor à Gasóleo	Aluminio
Monturas flexibles	Acero y Caucho
Conector del eje	Acero

Model	Honda GX160	Loncin H135	Hatz 1B20	Lombardini 15LD225
Anchura de Máquina (mm)	420	420	430	430
Altura de Máquina (mm)	520	520	630	630
Longitud de Máquina (mm)	445	445	500	500
Potencia del motor (Hp / kW)	4.9 / 3.6	3.5 / 2.6	4.6 / 3.4	4.0 / 3.0
Peso de Máquina (kg)	26	24	43	38
Velocidad del motor (rpm)	2800	2800	2800	2800
Tipo Carburante	Unleaded	Unleaded	Diesel	Diesel

Para su propia protección y la de aquellos que le rodean, lea y aprenda bien la siguiente información relativa a los aspectos de seguridad. El operador es responsable de asegurar que sabe operar bien, y con toda seguridad, este equipo. En caso de no estar seguro del uso correcto y seguro de la Unidad de Fuerza de Vibración, consulte a su encargado ó a Altrad Belle, hable con su supervisor o póngase en contacto con Altrad Belle.

**ATENCIÓN**

El mantenimiento o uso incorrectos pueden dar lugar a peligro. Lea y aprenda bien esta sección antes de realizar ningún trabajo de mantenimiento, revisión o reparación.

- Este equipo es pesado y no debe levantarse sin ayuda. **BUSQUE AYUDA** o utilice un aparato adecuado de izar. Se dispone de un conjunto especial de transporte para la apisonadora (véanse las opciones).
- Acordone el área de trabajo y mantenga a distancia apropiada tanto al público como al personal no autorizado.
- El operador debe llevar equipos de protección personal siempre que utilice la apisonadora. (Véase Sanidad y Seguridad).
- Aprenda bien a desconectar la máquina antes de conectarla, en caso de ocurrir algún problema.
- Siempre desconecte el motor antes de transportarlo, moverlo de lugar a lugar o revisarlo.
- Durante el uso, el motor se calienta mucho: déjese enfriar antes de tocarlo. No deje nunca que funcione el motor si se ausenta de su lado.
- No desmonte ni toque las defensas; su objetivo es proporcionar la debida protección. Compruebe siempre el estado y seguridad de las defensas; por si están averidas o por si faltan. **NO USE LA MÁQUINA** en tanto no se haya repuesto o reparado la defensa
- **NO USE LA MÁQUINA** si se siente enfermo, o mal o está borracho o drogado.

Seguridad del carburante.**ATENCIÓN**

Los carburantes son inflamables. Pueden causar lesiones personales y daños materiales. Apague el motor, extinga todas las llamas desnudas y no fume mientras llena el tanque de carburante. Elimine siempre todo vestigio de carburante derramado.

- Antes de rellenar de carburante, desconecte el motor y déjelo enfriar.
- Mientras se rellena de carburante, NO fume ni permita que haya ninguna llama desnuda en el área.
- Protéjase inmediatamente el carburante derramado, con arena. Si se derrama el carburante sobre su ropa, cámbiesela.
- Almacene el carburante en recipiente apropiado y aprobado, apartado de cualquier fuente de calor e ignición.

Vibraciones

Parte de la vibración producida por la operación de compactación se transmitirá por el manillar a las manos del operador. La gama de apisonadoras de plato Altrad Belle está diseñada específicamente para reducir los niveles de vibración a las manos/ brazos. Véanse las especificaciones y datos técnicos donde se indican los niveles de vibración y los tiempos de uso (tiempos máximos recomendados de exposición diaria). **NO DEBEN EXCEDERSE** los tiempos máximos de uso recomendados.

Equipos de protección personal (EPP)

Se deben llevar equipos adecuados de protección personal, por ejemplo, gafas de seguridad, guantes, protectores del oído, caretas antipolvo y calzado con punteras de acero. Lleve ropa adecuada para el trabajo en curso. Sujete debidamente el cabello largo y quítese todo artículo de joyería que pudiera agarrarse con las partes móviles de la máquina.

Polvo

El proceso de compactación producirá a veces polvo que puede ser perjudicial para la salud. Lleve siempre una careta apropiada para el tipo de polvo producido.

Carburante

No ingiera carburante ni inhale los vahos del mismo, y evite que entre en contacto con la piel. Lave inmediatamente toda salpicadura de carburante. Si le entra carburante en los ojos, láveselos con abundante agua y consulte un médico lo antes posible.

Humos de escape

No opere nunca la Unidad de Fuerza en lugares cerrados o en espacios delimitados, asegúrese de que la zona donde trabaja esté bien ventilada.

**AVISO**

Los humos de escape producidos por este equipo son muy tóxicos e incluso pueden matar.

Inspección previa al arranque

La siguiente inspección previa al arranque debe realizarse antes del comienzo de cada sesión de trabajo o después de cada cuatro horas de funcionamiento, cualquiera que sea la primera. Para más detalles, véase la sección de revisión.

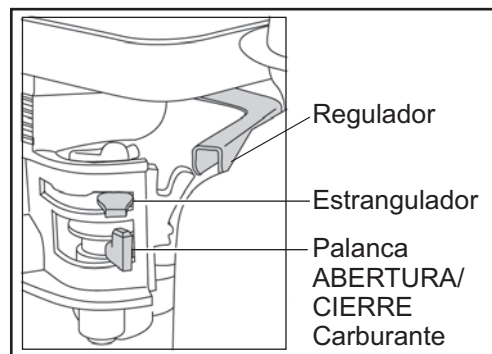
En caso de descubrir algún fallo, no debe ser utilizado el equipo en tanto la avería no haya sido solucionada.

1. Inspeccionar en conciencia la Unidad de Fuerza por si tuviera daños. Compruebe que haya todos los componentes y que estén bien fijos. Preste atención especial a la defensa de seguridad de la transmisión de correa adaptada entre el motor y la unidad vibradora.
2. Verifique el nivel de aceite de motor y rellénelo si es necesario.
3. Verifique el nivel de carburante del motor y rellénelo si es necesario.
4. Compruebe que no hayan escapes de carburante ni de aceite.

Procedimiento de arranque y parada

Honda GX160 Motor à Gasolina

1. Abra el tapón del carburante poniendo totalmente a la derecha la palanca de **ABERTURA / CIERRE** de carburante.
2. Cuando se arranca el motor en frío, abrir la regulación poniendo la palanca de regulación totalmente a la izquierda. Cuando se arranca de nuevo un motor ya caliente, por lo general, no se requiere la regulación, pero si el motor ya se ha enfriado hasta cierto punto, quizá sea necesaria un poco de regulación.
3. Gire el conmutador **ENCENDIDO/APAGADO** del motor hacia la derecha, hasta llegar a la posición '1'.
4. Ponga el acelerador en la posición de ralentí moviendo totalmente a la derecha la palanca de control del acelerador. No arranque el motor a plena aceleración, pues la apisonadora vibrará tan pronto como arranque el motor.
5. Agarre bien con una mano el manillar de control, y, con la otra, la palanca del arranque. Tire de la palanca de arranque hasta sentir la resistencia del motor, luego suéltela.
6. Tire de la palanca de arranque con fuerza pero sin que se salga completamente la correa de arranque.
7. Repítalo hasta que se encienda el motor.
8. Una vez encendido el motor, ponga gradualmente la palanca de regulación en la posición de **CIERRE**, moviéndola hacia la derecha.
9. Si el motor no arranca después de varios intentos, siga las instrucciones de resolución de problemas de la página 38.
10. Para parar el motor, ponga el acelerador en ralentí y gire el conmutador de **ENCENDIDO/APAGADO** del motor hacia la izquierda, hasta llegar a la posición '0'.
11. Cierre el paso del carburante.



Loncin H135 Motor à Gasolina

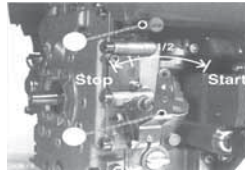
1. Mueva la palanca de la válvula de combustible a la posición de "encendido".
2. Para arrancar un motor frío, mueva la palanca del estrangulador a la posición de "cierre". Para reiniciar un motor caliente, deje la palanca del estrangulador en la posición 'abierta'.
3. Mueva la palanca del acelerador lejos de la posición 'lenta', aproximadamente 1/3 del camino hacia la posición 'rápida'.
4. Gire el interruptor del motor a la posición de "encendido".
5. Tire ligeramente de la empuñadura del motor de arranque hasta que sienta resistencia y luego tire enérgicamente. Vuelva a colocar la empuñadura del motor de arranque suavemente.
6. Si la palanca del estrangulador se ha movido a la posición 'cerrar' para arrancar el motor, muévala gradualmente a la posición 'abierta' a medida que el motor se calienta.

Para detener el motor en una emergencia, simplemente gire el interruptor del motor a la posición de "apagado". En condiciones normales, utilice el siguiente procedimiento.

1. Mueva la palanca del acelerador a la posición 'lenta'.
2. Gire el interruptor del motor a la posición "apagado".
3. Gire la palanca de la válvula de combustible a la posición de "apagado".

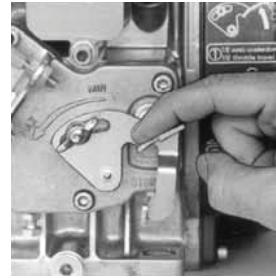
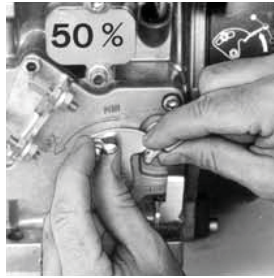
Hatz 1B20 Motor à Gasóleo

1. Abra el paso del carburante poniendo totalmente a la derecha la palanca de **ABERTURA/CIERRE** de carburante.
2. Ponga el control de velocidad del motor en arranque.
3. Agarre bien con una mano el mango de control, y, con la otra, la palanca de arranque. Tire de la palanca de arranque hasta sentir la resistencia del motor, luego suéltela.
4. Tire de la palanca de arranque con fuerza y con ambas manos, pero sin que se salga completamente la correa del arrancador.
5. Repita este procedimiento hasta que se encienda el motor.
6. Si el motor no enciende después de varios intentos, vea el manual correspondiente que viene con la apisonadora.
7. Para parar el motor, ponga el control de acelerador en ralentí, luego apriete el botón rojo y no lo suelte hasta que se pare el motor.



Motor Diesel Lombardini 15LD225

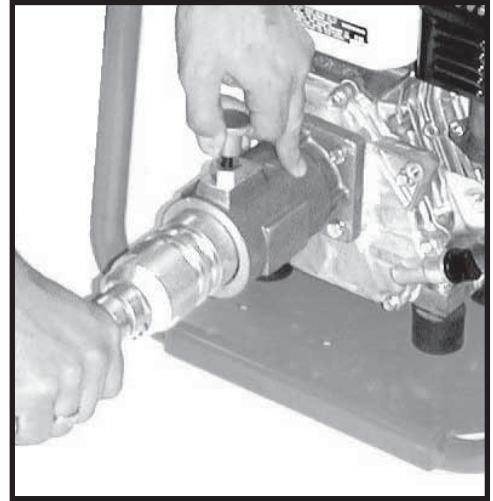
1. Comprobar que el regulador está al 50% del máximo de velocidad (A mitad de camino entre MIN y MAX)
2. Sujetar con firmeza la manecilla de retroceso del arranque y tirar de la cuerda con suavidad hasta que esté extendida a su límite máximo. Permitir a la cuerda que retroceda completamente. Arrancar la máquina tirando con fuerza de la cuerda.
3. Repetir este procedimiento hasta que el motor arranque.
4. Si el motor no arranca después de varios intentos, consultar el manual de motor que se suministra junto con el equipo.
5. Dejar el motor funcionando a ralentí durante 5 minutos. **PRECAUCION:** Durante las primeras 50 horas de uso, no exceder de 70% del máximo de intensidad de potencia.
6. Para detener el motor, llevar el regulador a la posición **STOP** hasta que el motor pare.



Procedimiento de Conexión

E

1. Para ensamblar el vibrador flexible a la unidad de fuerza, subir el émbolo de la brida e insertar éste en el extremo del conector.
2. Al soltar el émbolo este ha de posicionarse en el extremo final del conector.
3. Si el embolo fallara al ser posicionado, rotar el eje del cigüeñal con el cordel de arranque ó manualmente y empujar el extremo final hacia el interior.



Operativa con la Unidad de Fuerza

E

- **Traslade la unidad de fuerza al lugar en donde vaya a ser utilizada.**
Si la unidad de fuerza va a ser llevada a otro lugar, asegúrese de que el motor ha sido desconectado. NUNCA transporte la unidad de fuerza con el motor en funcionamiento, aunque el traslado sea a una distancia mínima.
- **Una vez hechos los puntos de chequeo según figura en la sección “Pre Start – Pre Arranque” y haya conectado el Vibrador de Eje Flexible siguiendo las indicaciones de conexión, puede arrancar la máquina.**
El motor debería girar a ralentí. Revisar SIEMPRE el motor en caso de signos de ruido inusual. Si algo de ello ocurriera, pare la máquina inmediatamente y consulte la sección Resolución de Problemas.
- **Acelere al máximo y el vibrador estará ahora preparado para ser sumergido en el hormigón.**
- Para detener la unidad de fuerza – consulte el apartado de “Procedimiento de Arranque/Pare”

Nota:

De fábrica el motor sale preparado para 2800 rpm de velocidad. Si esta fuera aumentada causará daño a la unidad flexible de vibración y con ello quedará sin validez la garantía que Altrad Belle cubre.

Problema	Causa	Remedio
Motor no arranca.	Sin Carburante.	Abra el tapón de carburante.
		Llene el tanque de carburante.
	Motor apagado.	Encienda el motor.
	Bujía sucia.	Limpie y reponga huelgo de bujía.
	Motor frío.	Cierre el regulador.
Motor Inundado.		Honda, abra regulador, abra acelerador totalmente, tire del arranque hasta que se encienda el motor.
		Hatz, mueva control velocidad a parada, tire 5 veces del arranque. Luego repita procedimiento de arranque.
Motor aun no arranca	Avería mayor	Contactar con Altrad Belle

MANTENIMIENTO

El diseño de las Unidades de Fuerza de Vibración de Altrad Belle garantiza su trabajo sin problemas durante muchos años. Con todo, se debe realizar el simple mantenimiento regular indicado en esta sección. Se recomienda que todo el mantenimiento de importancia y las reparaciones sean encargados a un agente de Altrad Belle. Se deben utilizar siempre piezas de recambio Altrad Belle genuinas, el empleo de piezas espurias podrá dar lugar a la anulación de la garantía. Antes de llevar a cabo el mantenimiento de la máquina, apague el motor. Si se trabaja en una máquina con motor de gasolina, desconecte el cable de AT de la bujía. Para máquinas con motor diesel, comprobar que la llave de paso está cerrada. Situar siempre la Unidad de Fuerza sobre suelo horizontal con objeto de que los niveles de los aceites puedan revisarse correctamente. Utilice únicamente los aceites recomendados (véase la tabla de la página siguiente).

Período de Rodaje

Cuando la Unidad de Poder de Poker se utiliza por primera vez de nuevo, el aceite del motor debe cambiarse después del período de funcionamiento inicial (consulte el manual del motor para obtener detalles completos).

Mantenimiento de rutina		Primer 4 Horas	Primer Mes / 20 Horas	3 Meses / 50 Horas	6 Meses / 100 Horas
Aceite de Motor	Chequear nivel	✓			
	Cambio		✓		✓
Filtro de Aire	Chequear estado		✓		✓
	Limpiar / Cambio			✓	
Bujía	Chequear / Limpiar				✓

Tipo y cantidad de Aceite/Carburante - Tipo de bujía

	Tipo de Aceite	Cantidad (l)	Tipo de Carburante	Cantidad (l)	Tipo de bujía	Separación electrodo (mm)
Gasolina Motor Honda GX160	S.A.E. 10W 30	0.6	Sin Plomo	3.6	BM6ES / BPR6ES	0.6 - 0.7
Gasolina Motor Loncin H135	S.A.E. 10W 30	0.6	Sin Plomo	3.6	BM6ES / BPR6ES	0.7 - 0.8
Motor Gasóleo Hatz 1B20	Consulte el Manual	0.9	Gasóleo (BS2869)	3.0	n/a	n/a
Motor Gasóleo Lombardini 15LD225	S.A.E. 15W 40	0.8	Gasóleo (BS2869)	2.5	n/a	n/a

Nota: - Antes de llevar a cabo un desmontaje comprobar que la máquina está desconectada.

Carcasa Acoplamiento

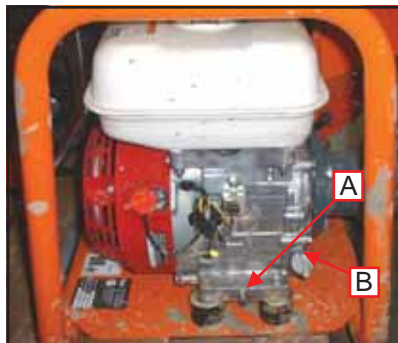
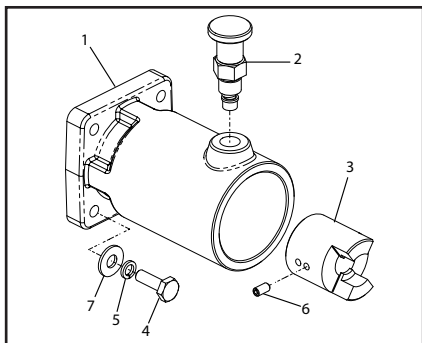
- Para retirar la carcasa, quitar las cuatro tuercas. Esta se deslizaría. Quitar el tornillo de presión del acoplamiento y éste quedaría desconectado. **Para montar de nuevo seguir los mismos pasos al contrario.**

Aceite de Motor

- Para sustituir el aceite del motor aflojar la tuerca del drenaje como se muestra en (A) y permitir que el aceite salga.
- Para comprobar ó rellenar de aceite usar el tapón gris ó negro (B) el aceite debería estar en el tope del hueco del tapón. Rellenar con aceite de motor 10W30.

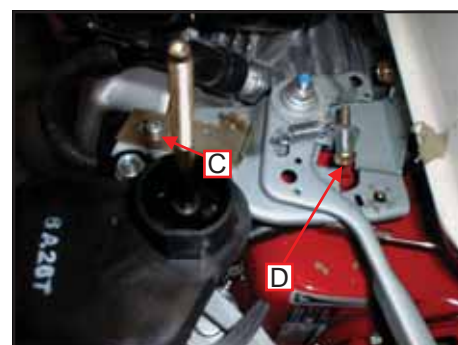
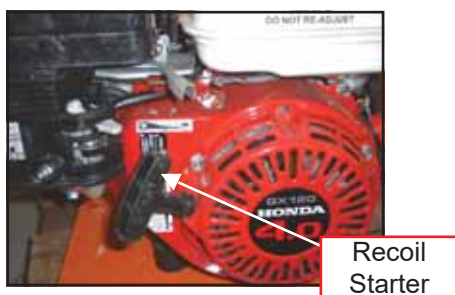
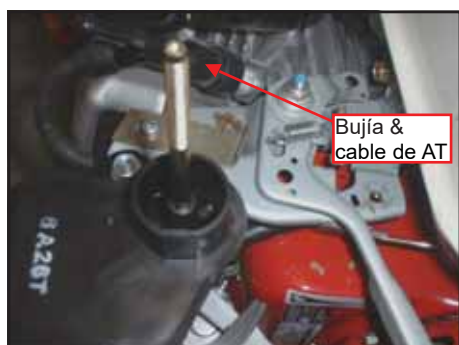
Filtro de Aire

- Para sustituir ó revisar el filtro de aire retirar la tuerca de palomilla de la tapa negra del filtro en la parte superior, una vez quitada, retirar la segunda tuerca y sacar el filtro de aire (Ver imagen inferior).



Bujía

- Para sustituir ó revisar la bujía retirar el cable conductor tirando y quitar la bujía.
- Para comprobar la bujía, volver a situar el conector en el cable conductor y ésta sobre el cuerpo del motor y realizar la operación de arrancada mediante la maneta de arranque. **Para montar de nuevo seguir los mismos pasos al contrario.**



Reajuste de la Velocidad del Motor

Note:- Tanto en la comprobación como en el ajuste de la velocidad no exceder de 2800 RPM

- Para reajustar la velocidad del motor aflojar el freno y tirar hacia atrás, arrancar el motor y girar el tornillo (D) hacia arriba ó hacia abajo para incrementar ó disminuir la velocidad del motor. Una vez se hayan alcanzado las 2800 RPM detener el motor. Mantener el nivel del acelerador en la posición de máxima revolución, y empujar el freno a su posición de inicio y girar igualmente el tornillo a su posición de inicio.

Identificación de Acoplamientos

Acoplamiento	Fabricante	Diá.	Número	Acoplamiento	Fabricante	Diá.	Número
	Dynapac, CEL, Sovemat, Winget, Wacker, GCM, Bartell	60mm	44.2.118		Errut	59.8mm	44.2.117
	Metrix	48.5mm	44.2.121		Fyne, Norton Clipper	1 7/8"	44.2.120
	Warsop	65mm	44.2.119				

Su nueva Unidad de Fuerza de Vibración de Altrad Belle está garantizada ante el comprador original por el periodo de un año (12 meses) desde la fecha de adquisición del equipo. La garantía de Altrad Belle cubre los defectos de diseño, materiales y fabricación.

La garantía de Altrad Belle no cubre lo siguiente:

1. Daños causados por el abuso, mal uso, caída u otros daños similares causados por o como resultado del incumplimiento de las instrucciones de ensamblaje, operación o mantenimiento por parte del usuario.
2. Las alteraciones, adiciones o reparaciones efectuadas por personas ajenas a Altrad Belle o a sus agentes reconocidos.
3. Los costos de transporte o embarque a y de Altrad Belle o sus agentes reconocidos, para la reparación o evaluación de una máquina al amparo de una reclamación contra la garantía.
4. Los costos de materiales y mano de obra relacionados con la renovación, reparación o recambio de componentes por desgaste normal.

Los siguientes componentes no están amparados por la garantía.

- Filtro de aire del motor
- Bujía del motor

Altrad Belle y/o sus agentes reconocidos, directores, empleados o aseguradores no se responsabilizan de ningún daño consecencial u otros, pérdidas o gastos relacionados con o debidos a la inhabilidad de usar la máquina.

Reclamaciones contra la garantía

Todas las reclamaciones presentadas al amparo de la garantía deben dirigirse primero a Altrad Belle ya sea por teléfono, fax, correo electrónico o por escrito.

Para las reclamaciones contra la garantía :

Tel: +44 (0)1298 84606,

Fax: +44 (0)1298 84073,

E-mail : Warranty.dept@altrad-belle.com

Escriban a:

Altrad Belle Warranty Department,
Sheen, Nr. Buxton
Derbyshire
SK17 0EU
Inglaterra

Registro de Garantía :

Con el fin de ser cada vez más ecológico, Altrad Belle permite registrar ahora las garantías via Internet. Para acceder a la página adecuada de nuestro sitio Web, deberá de utilizar la siguiente dirección:-

http://www.bellegroup.com/index.php?p=warranty_registration

Asimismo, podrá escanear el código de respuesta rápida adjunto (Quick Response Code) con su móvil lo que le permitirá acceder directamente a la página de registro.



Piezas de Repuesto

Al realizar el mantenimiento de este producto solo se pueden utilizar piezas de repuesto originales del fabricante.

El usuario perderá cualquier posible reclamación si las piezas de repuesto utilizadas no son las originales del fabricante.

Puede encontrar un PDF de listas de piezas para este producto en la sección "producto" de nuestro sitio web www.Altrad-Belle.com. La información sobre cómo obtener piezas de repuesto de su distribuidor local se puede encontrar en la sección "Contáctenos".

Este manual foi elaborado para o ajudar a operar e assistir em segurança a unidade motora das agulhas vibratórias. Destina-se a todos os revendedores e operadores da unidade motora das agulhas vibratórias.

Prefácio

A secção '**Descrição da Máquina**' ajuda-o a familiarizar-se com a disposição e controlos da máquina.

A secção '**Ambiente**' apresenta instruções sobre a forma de realizar a reciclagem de aparelhos descartados de uma forma segura para o ambiente.

As secções '**Segurança Geral**' e '**Saúde e Segurança**' explicam como utilizar a máquina de modo a garantir a sua segurança e a segurança do público em geral.

O '**Procedimento de Arranque e Paragem**' ajuda-o a arrancar e parar a máquina.

As secções de '**Procedimentos para a ligação**' e '**Operação do motor**' ensina-o a configurar e a operar esta unidade.

O guia de '**Resolução de Problemas**' ajuda-o caso tenha um problema com a sua máquina.

A secção '**Assistência**' destina-se a ajudá-lo nas operações de manutenção geral e assistência da sua máquina.

A secção '**Garantia**' pormenoriza o tipo de cobertura da garantia e o procedimento de apresentação de reclamações.

Directivas relativas às anotações.

O texto contido neste manual ao qual se deve prestar especial atenção é apresentado da seguinte maneira:



CUIDADO

O produto pode constituir um risco. A máquina ou o seu operador poderão sofrer danos ou ferimentos se os procedimentos não forem escrupulosamente respeitados.



AVISO

A vida do operador pode correr perigo.

AVISO



AVISO

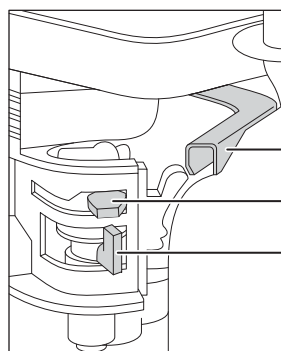
*Antes de operar a máquina ou realizar qualquer operação de manutenção, **DEVERÁ LER e ESTUDAR** este manual.*

CONHEÇA a utilizar os controlos da unidade com segurança e como deverá proceder para a manutenção de forma segura. (Observação: Certifique-se de que sabe desligar a máquina antes de a ligar, para o caso de se encontrar em dificuldades.)

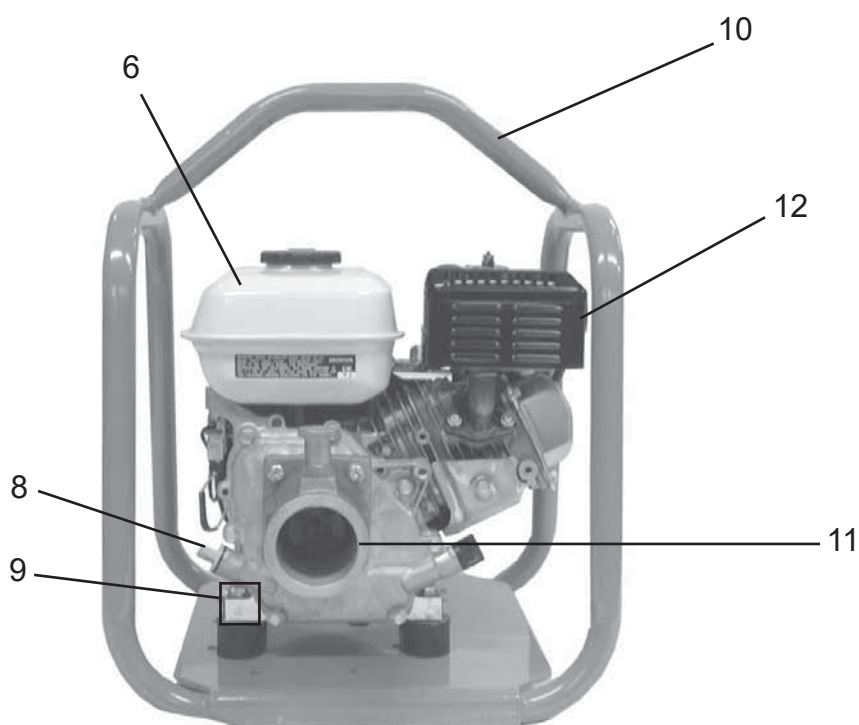
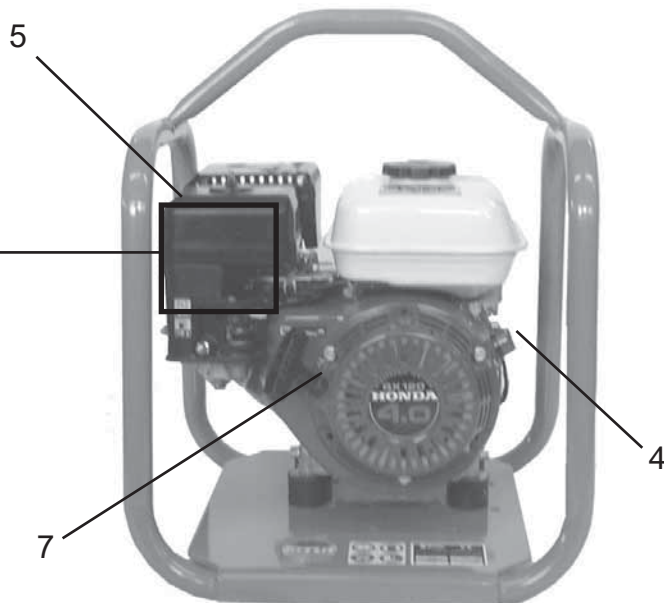
Envergue ou utilize **SEMPRE** o equipamento de segurança adequado para a sua protecção pessoal. Caso **TENHA QUAISQUER DÚVIDAS** sobre a utilização ou manutenção segura desta unidade, PERGUNTE AO SEU SUPERVISOR OU ENTRE EM CONTACTO COM A Altrad Belle: **+44 (0)1298 84606**

Índice

Como Utilizer Este Manual	40
Aviso	40
Descrição da máquina	41
Ambiente.....	41
Dados Técnicos	42
Segurança Geral.....	42
Saúde e Segurança.....	42
Verificações Prévias ao Arranque.....	43
Procedimento de Arranque e Paragem	43 - 44
Procedimentos para as ligações	45
Operar o motor	45
Guia de Resolução de Problemas.....	46
Manutenção	46 - 47
Identificação do acoplamento.....	48
Garantia.....	49
Peças de Reposição.....	49
Declaração de Conformidade da CE.....	6



Estrangulador
 Controlo da Mistura
 Alavanca Ligado /
 Desligado de Combustível



1. Estrangulador.
2. Controlo da Mistura.
3. Alavanca Ligado / Desligado de Combustível.
4. Interruptor do motor ON/OFF (ligado/ desligado).
5. Cárter do Filtro de Ar.
6. Depósito de Combustível.
7. Punho da Ignição de Recuo.
8. Tampão de abastecimento/vareta de óleo do motor.
9. Bujão de drenagem de óleo do motor.
10. Ponto de Elevação.
11. Conector do Veio.
12. Escape.

Nota. Esquema baseado no equipado com um motor Honda GX120. Por favor, consulte a literatura do fabricante para pormenores sobre o motor Yanmar, Hatz y Lombardini.

Ambiente

Descartar em Segurança.



Instruções para protecção do ambiente. A máquina contém materiais valiosos. Leve o aparelho a descartar e respectivos acessórios às instalações de reciclagem apropriadas.

Componente	Material
Estrutura	Aço
Motor à Gasolina	Alumínio
Motor à Gasóleo	Alumínio
Suportes Flexíveis	Aço y Borracha
Conector do Veio	Aço

Model	Honda GX160	Loncin H135	Hatz 1B20	Lombardini 15LD225
Largura da Máquina (mm)	420	420	430	430
Altura da Máquina (mm)	520	520	630	630
Comprimento da Máquina (mm)	445	445	500	500
Potência do Motor (Hp / kW)	4.9 / 3.6	3.5 / 2.6	4.6 / 3.4	4.0 / 3.0
Peso da Máquina (kg)	26	24	43	38
Velocidade do motor (rpm)	2800	2800	2800	2800
Tipo de Combustível	Unleaded	Unleaded	Diesel	Diesel

Para a sua própria protecção pessoal e para a segurança daqueles à sua volta, por favor leia e certifique-se de que compreendeu perfeitamente as informações de segurança que se seguem. É da responsabilidade do operador certificar-se de que compreende perfeitamente como operar este equipamento com toda a segurança. Se tiver dúvidas sobre segurança ou de como operar correctamente a unidade motora.

**CUIDADO**

A manutenção ou utilização incorrectas podem ser perigosas. Leia e Compreenda esta secção antes de levar a cabo quaisquer operações de manutenção, assistência ou reparação.

- Este equipamento é pesado e não deverá ser levantado por uma única pessoa; obtenha **AJUDA** ou utilize equipamento de elevação adequado. Um conjunto de transporte especial está disponível para o compactador (consulte as opções).
- Proceda à vedação da área de trabalho e mantenha transeuntes e pessoal não autorizado a uma distância de segurança.
- O operador deverá envergar Equipamento de Protecção Pessoal (EPP) sempre que este equipamento de elevação esteja a ser utilizado (consulte Saúde e Segurança).
- Antes de **LIGAR** a máquina, certifique-se de que sabe como a **DESLIGAR**, para o caso de ter quaisquer dificuldades.
- **DESLIGUE** sempre a máquina antes de proceder a operações de transporte, deslocação ou assistência.
- Durante o funcionamento, o motor fica muito quente; deixe-o arrefecer antes de lhe tocar. Nunca deixe o motor a funcionar sem vigilância.
- Nunca retire nem mexa nas guardas instaladas; elas existem para a sua protecção. Certifique-se sempre de que as guardas estão em bom estado e seguras; caso alguma guarda se encontrar danificada ou ausente, **NÃO UTILIZE O MÁQUINA** até a guarda ter sido substituída ou reparada.
- **NÃO UTILIZE O MÁQUINA** se estiver doente, cansado ou sob a influência de álcool ou drogas.

Segurança de Combustível.**CUIDADO**

O combustível é inflamável. O mesmo poderá causar ferimentos ou danos materiais. Desligue a máquina, apague todas as chamas abertas e não fume enquanto estiver a abastecer o depósito de combustível. Limpe sempre qualquer combustível derramado.

- Antes de reabastecer, desligue o motor e deixe-o arrefecer.
- Quando estiver a reabastecer, **NÃO** fume nem permita a existência de chamas abertas na área.
- Qualquer combustível derramado deverá ser imediatamente coberto com areia. Se tiver derramado combustível sobre o seu vestuário, troque imediatamente de roupa.
- Armazene o combustível em recipientes aprovados e adequados para o efeito, longe de fontes de calor e de ignição.

Vibração

A operação de compactação transmite alguma vibração, através do punho, às mãos do operador. O gama de Compactadores de Placas da Errut foi especificamente projectada para reduzir os níveis de vibração às mãos/braços. Consulte as especificações e dados técnicos relativamente aos níveis de vibração e tempos de utilização (tempo máximo de exposição diária recomendado). **NÃO** exceda os tempos máximos de utilização.

EPP (Equipamento de Protecção Pessoal).

EPP adequado deverá ser sempre envergado quando trabalhar com este equipamento, i.e. Óculos de Protecção, Luvas, Protectores Auriculares, Máscara de Pó e Calçado com Biqueiras de Aço. Envergue vestuário apropriado para o trabalho que está a realizar. Prenda o cabelo comprido e remova qualquer bijutaria que possa ficar presa nas partes amovíveis do equipamento.

Pó.

Ocasionalmente, o processo de compactação pode produzir pó, o qual pode ser perigoso para a sua saúde. Use sempre uma máscara própria para o tipo de pó produzido.

Combustível.

Não ingira combustível nem inale vapores de combustível e evite contacto com a pele. Lave imediatamente os salpicos de combustível. Se algum combustível entrar em contacto com os seus olhos, lave abundantemente com água corrente e procure assistência médica logo que possível.

Fumos de Escape**AVISO**

Os fumos de escape produzidos por este equipamento são altamente tóxicos e podem matar!

Inspecção Prévia ao Arranque

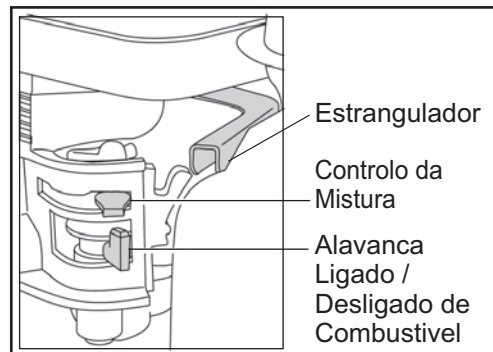
A inspeção prévia ao arranque deve ser executada antes do início de cada sessão de trabalho ou após cada período de utilização de quatro horas, de acordo com o que ocorrer primeiro. Por favor, consulte a secção de assistência para orientação detalhada. Se se descobrir alguma avaria, a unidade motora não deve ser usada até essa avaria estar reparada.

1. Inspeccionar cuidadosamente se existem sinais de danos no motor. Certifique-se de que todos os componentes estão presentes e seguros. Preste especial atenção à guarda de segurança da cinta de transmissão, instalada entre o motor e a unidade do vibrador.
2. Verifique o nível de óleo do motor e ateste conforme necessário.
3. Verifique o nível de combustível do motor e ateste conforme necessário.
4. Procure fugas de combustível e de óleo.

Procedimento de arranque a paragem

Motores a Gasolina Honda GX160

1. Abra a torneira de combustível, deslocando a alavanca de combustível **ON/OFF (LIGADO / DESLIGADO)** totalmente para a direita.
2. Se estiver a arrancar com o motor frio, **LIGUE** o controlo da mistura, deslocando a alavanca de controlo da mistura totalmente para a esquerda. Se estiver a rearrancar com o motor quente, normalmente não é necessário o controlo da mistura; no entanto, caso o motor tenha arrefecido consideravelmente, poderá ser necessário um controlo da mistura parcial.
3. Rode o interruptor **ON/OFF (LIGADO / DESLIGADO)** do motor no sentido horário para a posição 'I'.
4. Coloque o estrangulador na posição de funcionamento ao ralenti, deslocando a alavanca do estrangulador totalmente para a direita. Não arranque o motor com o estrangulador totalmente aberto, uma vez que o compactador começará a vibrar assim que o motor arrancar.
5. Segurando firmemente o punho de controlo com uma mão, agarre o punho da ignição de recuo com a outra. Puxe a ignição de recuo até sentir resistência do motor, depois deixe a ignição regressar à posição inicial.
6. Tendo o cuidado de não puxar totalmente o cabo da ignição, puxe vigorosamente o punho da ignição.
7. Repita até o motor arrancar.
8. Assim que o motor arrancar, mova gradualmente a alavanca de comando da mistura para a posição **OFF (DESLIGADO)**, deslocando-a para a direita.
9. Se, ao cabo de várias tentativas, o motor não arrancar, siga o guia de resolução de problemas na página 48.
10. Para parar o motor, coloque o estrangulador em funcionamento ao ralenti e rode o interruptor ON/OFF (LIGADO/DESLIGADO) do motor no sentido anti-horário para a posição '0'.
11. Desligue o combustível.



Motores a Gasolina Loncin H135

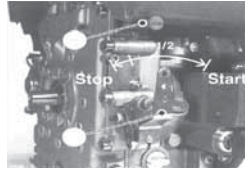
1. Mova a alavanca da válvula de combustível para a posição 'ligado'.
2. Para dar partida em um motor frio, mova a alavanca do afogador para a posição 'fechada'. Para reiniciar um motor quente, deixe a alavanca do afogador na posição 'aberta'.
3. Mova a alavanca do acelerador para longe da posição 'lenta', cerca de 1/3 do caminho em direção à posição 'rápida'.
4. Gire a chave do motor para a posição "ligado".
5. Puxe o punho do motor de arranque levemente até sentir resistência e, em seguida, puxe rapidamente. Retorne a empunhadura do motor de arranque suavemente.
6. Se a alavanca do afogador tiver sido movida para a posição 'fechada' para dar partida no motor, mova-a gradualmente para a posição 'aberta' conforme o motor esquentar.

Para desligar o motor em caso de emergência, basta colocar o interruptor do motor na posição 'desligado'. Em condições normais, use o seguinte procedimento.

1. Mova a alavanca do acelerador para a posição 'lento'.
2. Gire a chave do motor para a posição 'desligado'.
3. Gire a alavanca da válvula de combustível para a posição 'desligado'.

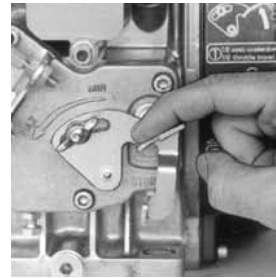
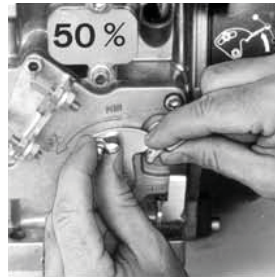
Motor a Gasóleo Hatz 1B20

1. Abrir o combustível **ON (LIGADO)** movendo a alavanca do mesmo **ON/OFF (LIGADO / DESLIGADO)** completamente para a direita.
2. Colocar o controlo de velocidade do motor na posição de arranque.
3. Segurar firmemente a pega de controlo com uma mão e com a outra agarrar a pega do cabo de arranque. Puxar o cabo de arranque até sentir resistência do motor e em seguida deixá-lo retrair-se.
4. Puxar o cabo de arranque rapidamente mas tendo em conta não o puxar completamente.
5. Repetir até o motor arrancar.
6. Se o motor falhar o arranque depois de várias tentativas, consultar o manual do motor fornecido juntamente com a placa compactadora.
7. Para parar o motor, colocar o controlo de aceleração em neutro e posteriormente premir e manter nessa posição o botão de paragem encarnado até o motor desligar.

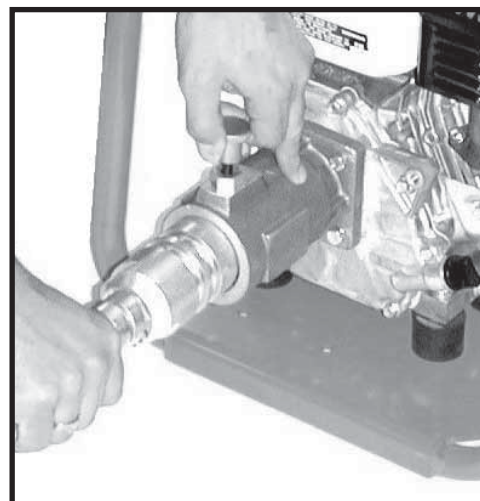


Motor a Gasóleo Lombardini 15LD225

1. Assegurar-se que o acelerador está a 50% da aceleração máxima (a meia distância entre o **MIN** e o **MAX**).
2. Segurar firmemente a pega do cabo de arranque, puxar suavemente o cabo distendendo-o até ao limite máximo e depois deixar o cabo recolher completamente. Seguidamente, puxar vigorosamente o cabo para arrancar o motor.
3. Repetir o processo até o motor disparar.
4. Se o motor não arrancar depois de várias tentativas, consultar o manual de operação do motor fornecido com a máquina.
5. Deixar o motor trabalhar em vazio durante 5 minutos. **CUIDADO:** Durante as primeiras 50 horas de utilização, não exceder 70% da potência nominal máxima.
6. Para parar o motor, colocar o acelerador na posição de paragem **STOP** até o motor desligar.



1. Para montar o veio flexível na unidade motora, levantar o manípulo de fecho na peça de conexão e inserir o terminal do veio flexível neste.
2. Quando libertar o manípulo de fecho, este deve ficar enfiado e a prender o conector do veio flexível.
3. Se o manípulo de fecho, não enfiar na união, rodar o veio do motor com o cabo de arranque ou a pega e empurrar o terminal do veio flexível para dentro da ligação.



Operar a Unidade Motora

- **Levar a unidade motora para o local conveniente.**
Se a unidade motora for transportada para outro lugar assegurar-se que o motor está desligado. NUNCA transportar a unidade motora com o motor a trabalhar, mesmo em curtas distâncias.
- **Depois de efectuar as verificações indicadas na secção de pré-arranque e de ter ligado o veio flexível pode ligar o motor.**
Este fica a trabalhar em vazio. Verificar SEMPRE o motor se escutar qualquer ruído anormal. Se tal ocorrer, parar imediatamente a máquina e consultar a secção de avarias.
- **Acelerar ao máximo e a agulha está preparada para ser mergulhada no betão.**
- Parar a unidade motora - Consultar os procedimentos Arranque / Paragem.

Nota:

A velocidade do motor é pré-estabelecida para um máximo de 2800 rpm. Se este limite for ultrapassado, causará danos no veio flexível e invalidará a Garantia Altrad Belle.

Problema	Causa	Solução
O motor não arranca	Falta de combustível.	Abra o tampão de combustível.
		Encha o depósito de combustível.
	Motor desligado.	Ligue o motor.
	Vela de ignição obstruída de vela.	Limpe e acerte novamente a folga
	Motor frio.	Feche a controlo da mistura.
Motor afogado.		Honda, abra o controlo da mistura abra completamente o estrangulador, puxe a ignição de recuo 5 vezes, depois repita o procedimento de arranque.
		Hatz, mueva control velocidad a parada, tire 5 veces del arranque. Luego repita procedimiento de arranque.
O motor ainda não arranca.	Falha grave.	Contacte o seu Agente ou o Altrad Belle.

MANUTENÇÃO

As Unidades Motoras das Agulhas Vibratórias da Altrad Belle foram concebidas para proporcionar muitos anos de operação isentos de qualquer avaria. No entanto, é importante que a manutenção regular simples descrita nesta secção seja realizada. Recomenda-se que um agente autorizado da Altrad Belle execute todas as principais operações de manutenção e reparação. Utilize sempre peças de substituição genuínas da Altrad Belle; a utilização de peças não originais pode invalidar a sua garantia. Antes da realização de qualquer serviço de manutenção na máquina, desligue o motor. Se trabalhar com uma máquina movida a gasolina, desligue o cabo de alta tensão da vela de ignição. Para motores a diesel, assegurar-se que a torneira de combustível está fechada. Colocar sempre a Unidade Motora num solo nivelado para garantir que os níveis de fluídos serem correctamente lidos. Utilize apenas os óleos recomendados (consulte o quadro na página seguinte).

Período de Rodagem

Quando utilizar a Unidades Motoras das Agulhas Vibratórias pela primeira vez, o óleo do motor tem de ser mudado depois do período de rodagem inicial (consulte o manual do motor para detalhes complementares). A tensão da cinta deve ser verificada após 4 horas de utilização.

Manutenimiento de Rutina		Acada 4 Horas	Primeiro Mês / 20 Horas	3 Meses / 50 Horas	6 Meses / 100 Horas
Oleo do Motor	Verifique o Nivel	✓			
	Cambio		✓		✓
Filtro de Ar	Chequear estado		✓		✓
	Limpiar / Cambio			✓	
Vela de Ignição	Chequear / Limpiar				✓

Tipo de óleo/Combustível e quantidade - Tipo de vela de ignição

	Tipo de Oleo	Quantidade (Litros)	Tipo Combustível	Capacidade (Litros)	Tipo de vela de ignição	Folga do electrodo (mm)
Motor a Gasolina Honda GX160	S.A.E. 10W 30	0.6	Sem Chumbo	3.6	BM6ES / BPR6ES	0.6 - 0.7
Motor a Gasolina Loncin H135	S.A.E. 10W 30	0.6	Sem Chumbo	3.6	BM6ES / BPR6ES	0.7 - 0.8
Motor a Gasóleo Hatz 1B20	Consulte o Manual	0.9	Gasóleo (BS2869)	3.0	n/a	n/6
Motor a Gasóleo Lombardini 15LD225	S.A.E. 15W 40	0.8	Gasóleo (BS2869)	2.5	n/a	n/a

Nota:- Antes de efectuar qualquer desmontagem, assegurar-se que o motor está parado.

Compartimento do encabadouro

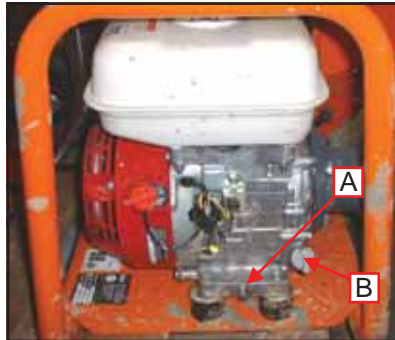
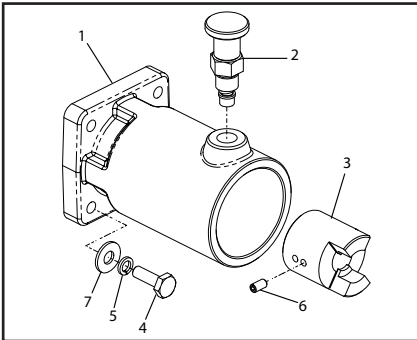
- Para desmontar o compartimento encabadouro, retirar os quatro (4) parafusos e este deslizará. Retirar o parafuso sem cabeça do encabadouro (3) e este deslizará. **Montar executando os procedimentos atrás descritos na ordem inversa.**

Óleo do Motor:

- Para substituir o óleo do motor, desapertar o parafuso do cárter como se mostra em (A) e permitir que o óleo drene.
- Para verificar ou reabastecer de óleo, usar o tampão plástico preto ou cinzenta (B). O nível do óleo deve estar na borda do respectivo orifício. Reabastecer com óleo de motor 10W30.

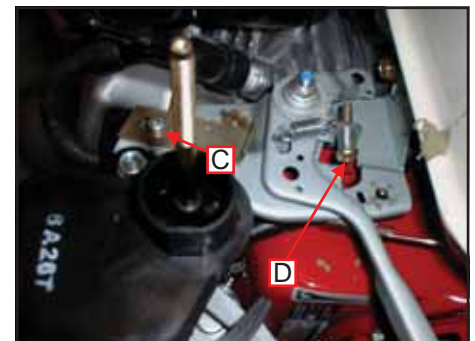
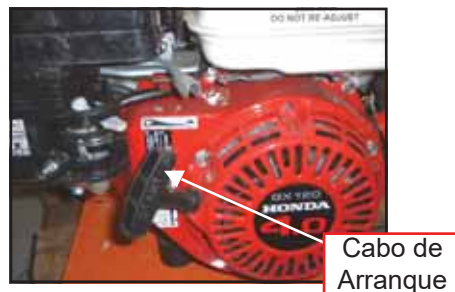
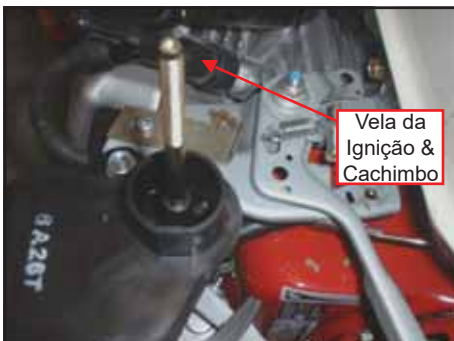
Filtro de Ar

- Para substituir ou verificar o filtro de ar, retirar a porca de orelhas no topo da cobertura negra do filtro de ar. Em seguida, retirar a segunda porca de orelhas e remover o filtro de ar (como se mostra).



Vela de Ignição

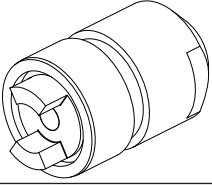
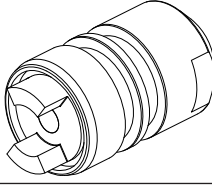
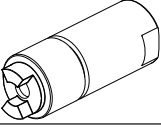
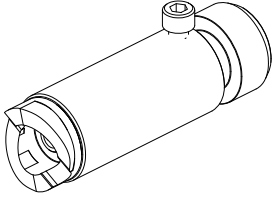
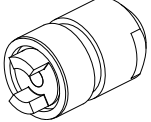
- Para verificar ou substituir a vela de ignição, remover o cachimbo puxando-o para fora e retirando em seguida a dita vela de ignição.
- Para verificar a vela de ignição, colocá-la no cachimbo e tocar com a vela no corpo do motor ao mesmo tempo que puxa o cabo de arranque. **Montar na ordem inversa à de desmontagem (como se mostra)**



Regular a velocidade do motor

Note:- Quando verificar ou regular a velocidade do motor, não exceder as 2800RPM.

- Para regular a velocidade do motor, aliviar o suporte do parafuso de paragem (C) e puxá-lo para trás, ligar o motor e rodar o parafuso (D) para cima ou para baixo conforme se queira aumentar ou diminuir a velocidade do motor. Uma vez atingidas as 2800 rpm, desligar o motor. Colocar o acelerador na máxima aceleração, empurrar o suporte de paragem para a posição original e aparafusá-lo.

Acoplamento	Fabricante	Diám.	Número	Acoplamiento	Fabricante	Diá.	Número
	Dynapac, CEL, Sovemat, Winget, Wacker, GCM, Bartell	60mm	44.2.118		Errut	59.8mm	44.2.117
	Metrix	48.5mm	44.2.121		Fyne, Norton Clipper	1 7/8"	44.2.120
	Warsop	65mm	44.2.119				

A sua nova unidade motora da Altrad Belle é garantida ao comprador original pelo período de um ano (12 meses) a contar da data da compra. A garantia da Altrad Belle cobre todos os defeitos de concepção, materiais e mão-de-obra.

Os seguintes pontos não são cobertos pela garantia da Grupo Belle:

1. Danos causados por abuso, uso indevido, quedas ou outros danos semelhantes causados por ou como resultado de incumprimento das instruções de montagem, operação ou manutenção do utilizador.
2. Alterações, adições ou reparações realizadas por pessoal exterior à "Altrad Belle" ou aos seus agentes autorizados.
3. Custos de transporte ou expedição de e para a "Altrad Belle" ou seus agentes autorizados para reparação ou avaliação por conta de uma reclamação com base na garantia relativa a qualquer máquina.
4. Custos de material e/ou mão-de-obra para renovar, reparar ou substituir componentes devido a desgaste e usura normais.

Os seguintes componentes não estão cobertos pela garantia.

- Filtro de ar do motor
- Vela de ignição do motor

A "Altrad Belle" e/ou os seus agentes autorizados, directores, empregados ou seguradores não serão considerados responsáveis por danos, perdas ou despesas, consequentes ou outros, relativos ou devido a incapacidade de usar a máquina para qualquer finalidade.

Reclamações de Garantia.

Todas as reclamações de garantia deverão ser primeiramente dirigidas ao Altrad Belle, por telefone, fax, E-mail ou por escrito.

Reclamações de Garantia.

Tel : +44 (0)1298 84606, Fax : +44 (0)1298 84073, Email : warranty.dept@altrad-belle.com

Para reclamações de garantia:

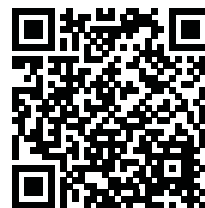
Altrad Belle Departamento de Garantias,
Sheen, Nr. Buxton
Derbyshire
SK17 0EU
Inglaterra

Registo de Garantia:

Seguindo o compromisso que assumiu para ser mais ecológica e respeitadora do ambiente, a ALTRAD Belle acaba de lançar o registo online da Garantia. Para aceder à página de registo do website, utilize o seguinte endereço:-

http://www.bellegroup.com/index.php?p=warranty_registration

Em alternativa, também pode digitalizar o Código QR (código de resposta rápida) com o seu smartphone para aceder à página de registo.



Peças de Reposição

Ao fazer a manutenção deste produto, apenas peças de reposição originais e genuínas do fabricante podem ser usadas.

O usuário perderá quaisquer reclamações possíveis se as peças de reposição usadas forem outras que não as peças de reposição originais do fabricante.

Um PDF com as listagens de peças para este produto pode ser encontrado na seção 'produto' do nosso site www.Altrad-Belle.com Informações sobre a compra de peças de reposição de seu distribuidor local podem ser encontradas na seção 'entre em contato conosco'

Deze handleiding is geschreven om u te helpen de mechanische trilnaald veilig te gebruiken en onderhouden. Deze handleiding is bedoeld voor verkopers en gebruikers van de mechanische trilnaald.

Voorwoord

In de sectie '**Machinebeschrijving**' maakt u kennis met de inrichting en bedieningsorganen van de machine.

In de sectie '**Milieu**' staan aanwijzingen over hoe u afgedankte machines op een milieuvriendelijke wijze kunt afvoeren voor recycling.

In de sectie '**Algemene veiligheid**' en '**Gezondheid en veiligheid**' wordt uitgelegd hoe u de machine dient te gebruiken om uw veiligheid en die van anderen te kunnen waarborgen.

In de sectie '**Aan- en uitzetten**' vindt u aanwijzingen voor het aanzetten en stilzetten van de machine.

De secties '**Aansluitprocedure**' en '**Bedienen van de trilnaald**' helpen u bij het installeren en bedienen van de trilnaald.

Met behulp van de '**Storingzoekgids**' kunt u een mogelijk probleem met uw machine opsporen en verhelpen.

In de sectie '**Onderhoud**' vindt u aanwijzingen m.b.t. onderhoudswerkzaamheden van algemene aard aan uw machine.

In de sectie '**Garantie**' vindt u bijzonderheden over de aard van de garantiedekking en hoe u een claim uit hoofde van de garantie indient.

Directives with regard to the notations.

Text in this manual to which special attention must be paid are shown in the following way:



VOORZICHTIG

Het product kan aan een risico blootstaan. De machine kan schade oplopen of u kunt letsel oplopen indien de procedures niet op de juiste wijze worden uitgevoerd.



WAARSCHUWING

Het leven van de bediener kan op het spel staan.

Veiligheidsvoorschriften



WAARSCHUWING

*Voordat u met deze machine gaat werken of er enig onderhoud aan gaat uitvoeren, moet u eerst deze handleiding **AANDACHTIG DOORLEZEN**.*

Zorg dat u **WEET** hoe u de machine op veilige wijze bedient en wat u moet doen om die in een veilige staat van onderhoud te houden.

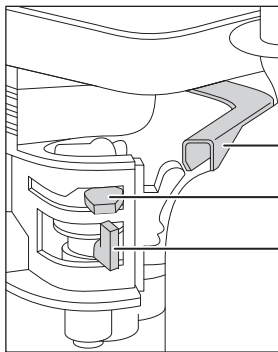
(N.B. Zorg dat u weet hoe u de machine moet uitschakelen voordat u die inschakelt, voor het geval dat u in moeilijkheden mocht raken.)

Draag of gebruik **ALTIJD** de passende veiligheidsmiddelen die vereist zijn voor uw persoonlijke bescherming.

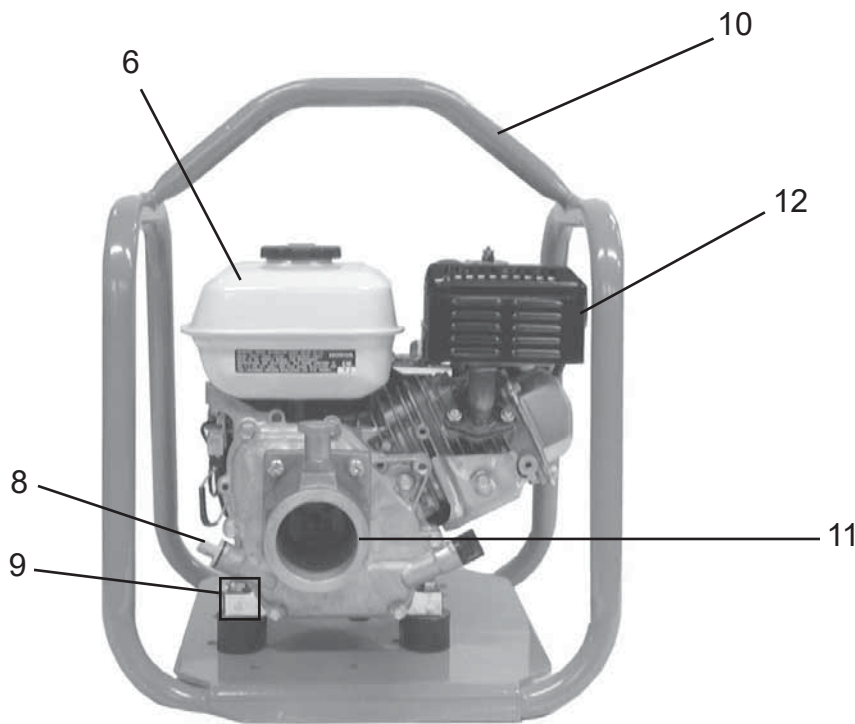
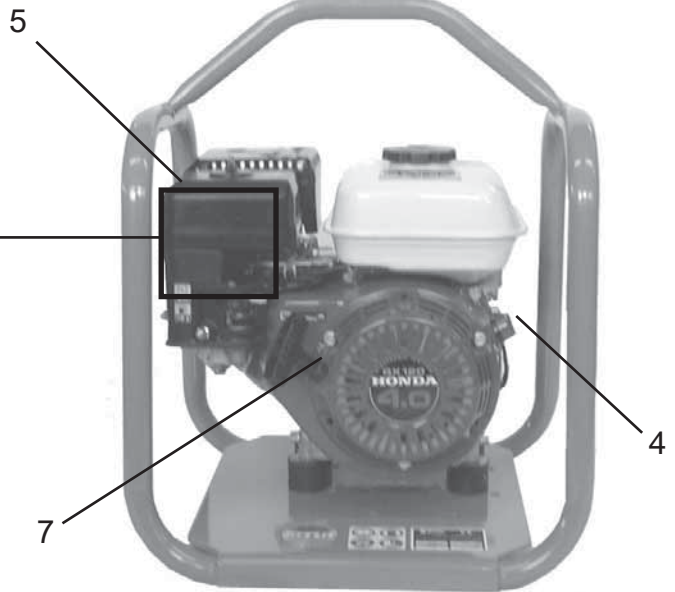
Mocht u **VRAGEN** hebben over het op veilige wijze gebruiken of onderhouden van deze machine, GA DAN NAAR DE UITVOERDER OF NEEM CONTACT OP MET DE Altrad Belle: +44 (0) 1298 84606

Inhoudsopgave

Het gebruik van deze handleiding.....	50
Veiligheidsvoorschriften.....	50
Machinebeschrijving.....	51
Milieu.....	51
Technische gegevens.....	52
Algemene veiligheid.....	52
Gezondheid en veiligheid.....	52
Controles bij stilstaande motor.....	53
Aan- en uitzetten.....	53 - 54
Aansluiting Werkwijze.....	55
Bediening van de Mechanische Trilnaald.....	55
Storingzoekgids.....	56
Onderhoud.....	56 - 57
Koppeling Identificatie.....	58
Garantie.....	59
Vervangingsonderdelen.....	59
EF-overensstemmingsverklaring.....	7



Gashendel
 Chokehendel.
 Brandstoftoevoerhendel



1. Gashendel.
2. Chokehendel.
3. Brandstoftoevoerhendel.
4. Motor-aan-uit-schakelaar.
5. Luchtfilterhuis.
6. Brandstoftank.
7. Repeteerstarter.
8. Motorolievulleiding / peilstok.
9. Motorolieaftapplug.
10. Hijspunt.
11. Aftakas.
12. Uitlaat.

N.B. De tekening is gebaseerd op een Honda GX120 motor. Raadpleeg s.v.p. de beschrijvingen van de fabrikanten voor details van Yanmar, Hatz & Lombardini motoren.

Milieu

Doelmatige verwijdering.



Voorschriften voor de bescherming van het milieu. De machine bevat waardevolle materialen. Breng de afgedankte machine en toebehoren naar een bedrijf dat dergelijke machines op milieuvriendelijke wijze ontmantelt.

Component	Materiaal
Frame	Staal
Benzinemotor	Aluminium
Dieselmotor	Aluminium
Flexibele Ophangpunten	Staal en Rubber
Aftakas	Staal

Model	Honda GX160	Loncin H135	Hatz 1B20	Lombardini 15LD225
Machinebreedte (mm)	420	420	430	430
Machinehoogte (mm)	520	520	630	630
Machinelengte (mm)	445	445	500	500
Motorvermogen (Hp / kW)	4.9 / 3.6	3.5 / 2.6	4.6 / 3.4	4.0 / 3.0
Machinegewicht (kg)	26	24	43	38
Motortoerental (rpm)	2800	2800	2800	2800
Brandstoftype	Unleaded	Unleaded	Diesel	Diesel

Bestudeer voor uw eigen bescherming en voor de veiligheid van degenen om u heen a.u.b. de onderstaande informatie m.b.t. de veiligheid totdat u alles volledig begrepen heeft. Het is de verantwoordelijkheid van de bediener ervoor te zorgen dat hij/zij precies weet hoe er veilig met dit materieel gewerkt kan worden. Als u er niet zeker van bent hoe u de 'RPC'-schakelplaat op veilige en juiste wijze gebruikt, ga dan naar uw uitvoerder of win advies in bij de Altrad Belle

**VOORZICHTIG**

Onoordeelkundig onderhoud kan gevaarlijk zijn. Lees deze sectie door en ga pas onderhouds- of reparatiewerkzaamheden verrichten als u alles goed begrepen heeft.

- Deze machine is te zwaar om alleen te tillen. Vraag iemand om mee te helpen tillen of gebruik geschikte hijsapparatuur.
- Zet het werkgebied af en houd toeschouwers en voorbijgangers en onbevoeg personeel op een veilige afstand.
- De bediener is verplicht telkens persoonlijke beschermingsmiddelen (PBM) te dragen wanneer hij/zij deze machine gebruikt (zie Gezondheid & Veiligheid).
- Zorg dat u weet hoe u deze machine op veilige wijze **UIT** kunt schakelen voordat u die inschakelt, voor het geval dat u in moeilijkheden mocht raken.
- Zet de motor altijd **UIT** alvorens de machine te vervoeren, op het werkterrein te verplaatsen of te onderhouden.
- Tijdens gebruik kan de motor erg heet worden, laat de motor eerst afkoelen voordat u die aanraakt. Laat de machine nooit onbeheerd en/of met draaiende motor achter.
- Verwijder nooit, en verander nooit iets aan, beschermkappen, ze zitten er voor uw bescherming. Controleer altijd of beschermkappen in goede staat verkeren en goed bevestigd zijn. Indien welke ervan ook beschadigd zijn of ontbreken, **DE MACHINE NIET BEDIENEN** wanneer de beschermkap is teruggeplaatst of gerepareerd.
- **DE MACHINE NIET BEDIENEN** wanneer u ziek bent, u zich moe voelt, of wanneer u onder invloed van alcohol of medicijnen verkeert.

Veilige omgang met brandstof**VOORZICHTIG**

Brandstof is brandbaar. Dit kan leiden tot letsel en schade aan goederen. Zet de motor uit, doof open vuur en rook niet tijdens het tanken van brandstof. Veeg eventueel gemorste brandstof altijd op.

- Zet de motor af en laat die afkoelen voordat u brandstof gaat tanken.
- Rook **NIET** tijdens het tanken en laat ook geen open vuur in de directe omgeving toe.
- Gemorste brandstof dient onmiddellijk ongevaarlijk gemaakt te worden, m.b.v. zand. Indien u brandstof op uw kleren gemorst hebt, trek dan andere kleren aan.
- Bewaar brandstof in een goedgekeurd, voor dit doel gemaakt vat, uit de buurt van warmte- en ontstekingsbronnen.

Trilling

Een zekere hoeveelheid trilling van de machine gaat via het handvat naar de hand van de bediener. Raadpleeg de specificaties en technische gegevens voor trillingsniveaus en gebruikstijden (aanbevolen maximale dagelijkse blootstellingstijd). Overschrijd **NIET** de maximale gebruikstijden.

PBM (Persoonlijke Beschermingsmiddelen).

Geschikte persoonlijke beschermingsmiddelen dienen bij gebruik van dit apparaat gedragen te worden zoals een veiligheidsbril, handschoenen, gehoorbeschermers, een stofmasker en schoenen met stalen neuzen en anti slip zolen. Draag kleding geschikt voor het werk dat u doet. Bescherm altijd uw huid tegen contact met beton.

Brandstof

Neem geen brandstof tot u en adem geen dampen van brandstof in. Vermijd contact tussen brandstof en uw huid. Spoel spetters brandstof onmiddellijk af. Indien u brandstof in uw ogen krijgt, spoel deze dan met een ruime hoeveelheid water en zoek zo snel mogelijk medische hulp.

Uitlaatgassen

Doe je mechanische trilnaald binnenshuis niet werken of in een besloten ruimte, zorg ervoor dat het werkgebied wordt geventileerd.

**WAARSCHUWING**

De door deze machine geproduceerde uitlaatgassen zijn zeer giftig en kunnen dodelijk zijn!

Controle vóór aanvang van de werkzaamheden

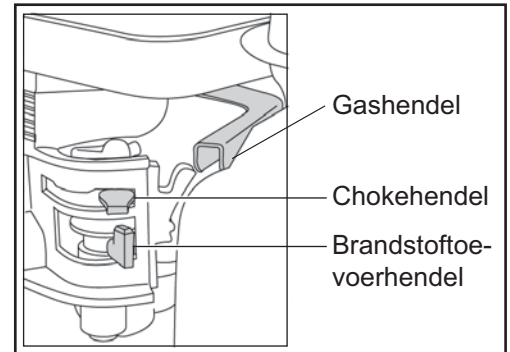
De volgende controle moet vóór aanvang van iedere werkperiode of na elke vier bedrijfsuren, welke van beide zich het eerst voordoet, uitgevoerd worden. Raadpleeg de sectie Onderhoud voor meer informatie. Indien er wat voor storing dan ook wordt aangetroffen, mag de trilplaat pas weer gebruikt worden als de storing is verholpen.

1. Onderzoek de trilnaad zorgvuldig op beschadigingen. Controleer of alle onderdelen aanwezig en veilig zijn.
2. Controleer het peil van de motorolie en vul zo nodig olie bij.
3. Controleer het motorbrandstofpeil en vul zo nodig brandstof bij.
4. Controleer op lekkage van brandstof, olie en hydraulische vloeistof.

Aan-en Uitzetten

Honda GX160 Benzinemotor

1. Zet de brandstoftoevoer open (ON) door de brandstoftoevoerhendel helemaal naar rechts te uwen.
2. Zet bij het starten van een koude motor de choke open (ON) door de chokehendel helemaal naar links te duwen. Bij het opnieuw starten van een warme motor hoeft de choke in de regel niet gebruikt te worden; maar is de motor enigermate afgekoeld, dan kan het nodig zijn de choke gedeeltelijk open te zetten.
3. Zet de schakelaar om de motor **AAN / UIT** te zetten met de wijzers van de klok mee in stand 'I'.
4. Zet de gasklep in de stand voor stationair toerental door de gashendel helemaal naar rechts te bewegen. Start de motor niet op volgas, want de trilplaat gaat meteen trillen zodra de motor aanslaat.
5. Houd de bedieningshendel met één hand goed vast en trek met de andere hand aan de repeteerstarter totdat u weerstand van de motor voelt. Laat de starter vervolgens los.
6. Trek met een flinke ruk aan het koord van de starter, maar let erop dat u het niet volledig uittrekt.
7. Herhaal deze handeling totdat de motor aanslaat.
8. Zet, zodra de motor loopt, de chokehendel geleidelijk aan in de stand **UIT** (OFF) door de hendel naar rechts te duwen.
9. Als de motor na verscheidene pogingen nog niet wil aanslaan, volg dan de aanwijzingen in de storingzoekgids op.
10. Zet de motor uit door eerst de gasklep in de stand voor stationair toerental te zetten en vervolgens de schakelaar om de motor **AAN / UIT** te zetten tegen de wijzers van de klok in in stand 'O' te zetten.
11. Draai de brandstoftoevoer dicht.



Loncin H135 Benzinemotor

1. Zet de brandstofklephendel in de 'aan'-stand.
2. Om een koude motor te starten, zet u de chokehendel in de 'close'-stand.
Om een warme motor te herstarten, laat u de chokehendel in de 'open' stand staan.
3. Beweeg de gashendel weg van de 'langzame' stand, ongeveer 1/3 van de weg in de richting van de 'snelle' stand.
4. Zet de motorschakelaar in de 'aan'-stand.
5. Trek lichtjes aan de startergreep totdat u weerstand voelt en trek dan krachtig. Breng de startergreep voorzichtig terug.
6. Als de chokehendel in de 'dicht'-stand is gezet om de motor te starten, moet u deze geleidelijk in de 'open'-stand zetten terwijl de motor opwarmt.

Om de motor in een noodgeval af te zetten, zet u gewoon de motorschakelaar in de 'uit'-stand. Gebruik onder normale omstandigheden de volgende procedure.

1. Zet de gashendel in de 'langzame' stand.
2. Zet de motorschakelaar in de 'uit'-stand.
3. Draai de brandstofklephendel naar de 'uit'-stand.

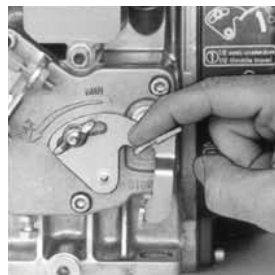
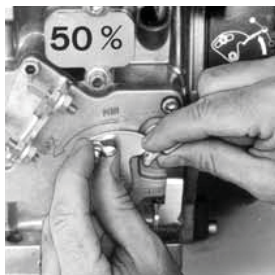
Hatz Dieselmotor van Hatz

1. Zet de brandstoftoevoer open (**ON**) door de brandstoftoevoerhendel volledig naar rechts te duwen.
2. Zet de motortoerentalregelaar in de stand Start.
3. Houd de bedieningshendel met één hand goed vast en trek met de andere hand aan de repeteerstarter
Trek aan de handgreep totdat u weerstand van de motor voelt. Laat de starter vervolgens los.
4. Trek met beide handen flink aan de repeteerstarter, maar let erop dat u het koord niet volledig uittrekt.
5. Herhaal deze handeling totdat de motor aanslaat.
6. Als de motor na verscheidene pogingen nog niet wil aanslaan, volg dan de aanwijzingen in de storingzoekgids op.
7. Zet de motor uit door de gasklepregelaar in de stand voor stationair toerental te zetten en vervolgens de rode stopknop ingedrukt te houden totdat de motor afslaat.

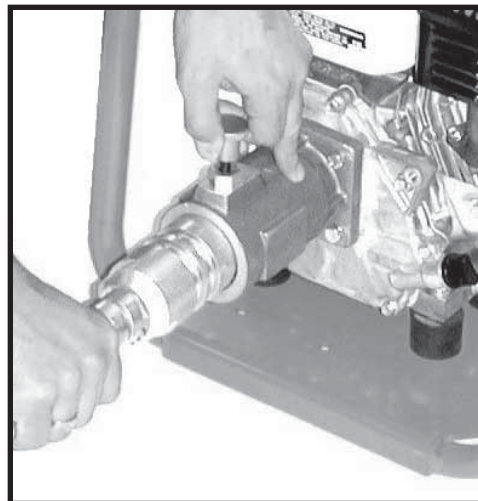


Lombardini 15LD225 Dieselmotor

1. Verzeker u er zich van, dat de gashendel op 50% van de maximale snelheid is (Halverwege tussen MIN en **MAX**)
2. Neem de terugloop starterhendel stevig vast en trek het koord zacht tot het tot zijn uiterste grens is gestrekt. Laat het koord geheel teruglopen. Start de motor door sterk aan het koord te trekken.
3. Herhaal deze handeling tot de motor aanslaat.
4. Raadpleeg, wanneer de motor na ettelijke pogingen in gebreke blijft om te starten, de met de machine geleverde motorhandleiding.
5. Laat de motor gedurende 5 minuten met leegloopsnelheid lopen.
WAARSCHUWING: Overschrijd, tijdens de eerste 50 uren van gebruik, 70% van het maximale nominale vermogen niet.
6. Stel, om de motor te stoppen, de gashendel in de stopstand tot de motor stopt.



1. Til om de flexibele aandrijving te bevestigen aan de motor de knop op de flens op en steek de flexibele aandrijfstang in de aftakas.
2. Als u de knop terug laat vallen, moet de aandrijfstang geborgd zijn in de aftakas.
3. Als de aandrijfstang niet geborgd raakt, draai dan de as van de motor met het startkoord of met de handel en duw de aandrijf-as naar binnen.



Bediening van de Mechanische Trilnaald

- **Breng de motor naar de plek waar deze nodig is.**
Wanneer de motor naar een andere locatie moet worden vervoerd, verzeker u er dan van dat de motor is uitgeschakeld. Vervoer de motor NOOIT wanneer deze nog loopt, zelfs niet over een kleine afstand.
- **Wanneer u de controles heeft uitgevoerd die worden opgesomd in de sectie 'alvorens te starten' en wanneer u de flexibele trilas hebt aangesloten volgens de aansluitprocedure, mag u de motor starten.**
De motor zou nu stationair moeten lopen. Controleer de motor ALTIJD op ongewone geluiden. Wanneer deze optreden, schakel de motor onmiddellijk uit en raadpleeg de sectie problemen oplossen.
- **Zet de gashandel op maximaal en de trilnaald is nu gereed om in het beton gestoken te worden.**
- Om de machine uit te zetten, raadpleeg de 'Start / Stop Procedure'

Opmerking:

Het toerental van de motor is in de fabriek ingesteld op 2800 toeren per minuut. Wanneer dit toerental wordt verhoogd, zal dit schade veroorzaken aan de flexibele trilnaald as en vervalt de garantie van de Altrad Belle.

Probleem	Oorzaak	Oplossing
Motor start niet.	Geen brandstof.	Zet brandstoftoevoer open.
		Vul brandstoftank.
	Motor staat uit.	Zet motor aan.
	Vuile bougie	Reinig en controleer bougie en stel elektrodenafstand opnieuw af.
	Motor is koud.	Zet choke uit.
	Motor is 'verzopen'.	Honda: zet choke open, zet gasklep volledig open, trek aan repeteerstarter totdat motor aanslaat.
Hatz: zet toerentalregelaar op Stop, trek vijfmaal aan repeteerstarter en herhaal startprocedure.		
Motor start nog steeds niet.	Ernstige storing.	Neem contact op met service agent of met Altrad Belle.

Onderhoudswerkzaamheden

De mechanische trilnaalden van Altrad Belle zijn ontworpen om u vele jaren van probleemloos gebruik te schenken. Het is echter belangrijk dat de in deze paragraaf beschreven eenvoudige onderhoudswerkzaamheden regelmatig worden uitgevoerd.

Laat grote onderhouds- en reparatiewerkzaamheden bij voorkeur uitvoeren door een erkende Altrad Belle-dealer. Maak altijd gebruik van originele Errutvervangingsonderdelen; bij gebruik van niet-originele onderdelen kan de garantie vervallen.

Zet de motor uit alvorens onderhoudswerkzaamheden te verrichten. Trek bij werkzaamheden aan een machine met benzinemotor de bougiekabel los. Zorg bij werkzaamheden aan een dieselmotor dat de stopschakelaar in de stand Stop staat. Plaats de machine altijd op een vlakke ondergrond zodat de vloeistofniveaus correct kunnen worden afgelezen. Gebruik uitsluitend aanbevolen olietypen (zie tabel op volgende pagina).

Inlooperperiode

Wanneer de mechanische trilnaald voor het eerst in gebruik wordt genomen, moet de motorolie worden vervangen na de inlooperperiode (zie de handleiding van de motor voor details).

Routineonderhoud		Elke 4 Uur	Eerste Mnd / 20 Uur	3 Maanden / 50 Uur	6 Maanden / 100 Uur
Motorolie	Peil Controlen	✓			
	Vervang		✓		✓
Luchfilter	Verversen		✓		✓
	Reinigen / Vervang			✓	
Bougie	Verversen / Reinigen				✓

Olie- / brandstoftype en hoeveelheid - Bougietype

	Olietype	Hoeveelh (liters)	Brandstoftype	Inhoud (liters)	Bougietype	Elektrodenafstand (mm)
Benzine Motor Honda GX160	S.A.E. 10W 30	0.6	Loodvrije	3.6	BM6ES or BPR6ES	0.6 - 0.7
Benzine Motor Loncin H135	S.A.E. 10W 30	0.6	Loodvrije	3.6	BM6ES or BPR6ES	0.7 - 0.8
Benzina Motor Hatz 1B20	Zie Handleiding	0.9	Benzina (BS2869)	3.0	NVT	NVT
Benzina Motor Lombardini 15LD225	S.A.E. 15W 40	0.8	Benzina (BS2869)	2.5	NVT	NVT

Opmerking:- Alvorens de motor te gaan demonteren, dient u zich er van te verzekeren dat deze is uitgeschakeld.

Behuizing van de aandrijfklaauw

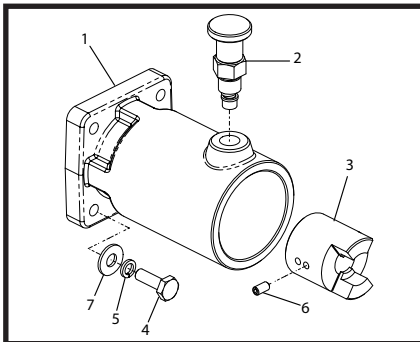
- Om de behuizing van de aandrijfklaauw te verwijderen dient u alle vier bouten (4) los te halen. De behuizing van de aandrijfklaauw zou nu los moeten glijden. Verwijder de borgschroef, (6) van de aandrijfklaauw (3) en de aandrijfklaauw zou los moeten glijden. **Monteren gebeurt in omgekeerde volgorde als boven beschreven.**

Motorolie

- Om de olie in de motor te verversen schroeft u de carterbout los zoals getoond (A) en laat de olie weglopen.
- Om het oliepeil te controleren of de olie bij te vullen gebruikt u de grijze of zwarte plastic afsluiter (B). Het oliepeil dient juist tot de bovenkant van het glas in de afsluiter moeten komen. Vul de motor met 10W 30 motorolie.

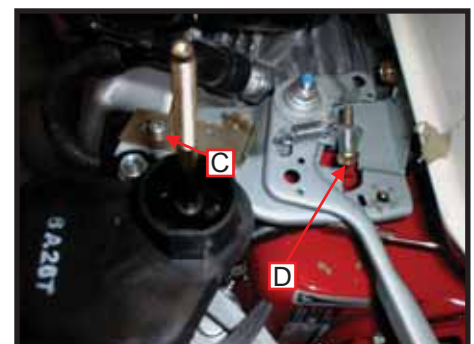
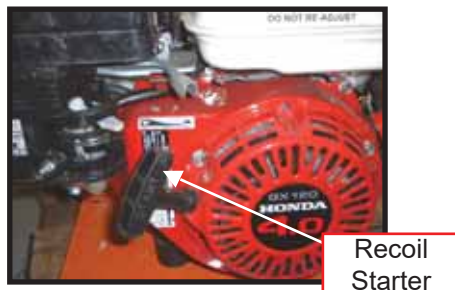
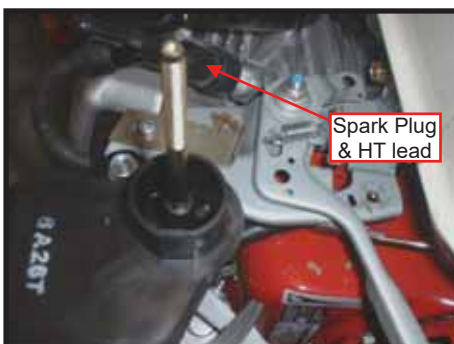
Luchtfilter

- Verwijder om het luchtfilter te controleren of vervangen de vleugelmoer boven op het zwarte filterhuis. Wanneer deze eenmaal is verwijderd, verwijder dan de tweede vleugelmoer om het luchtfilter los te halen (zoals hieronder aangegeven).



Bougie

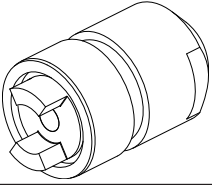
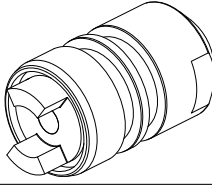
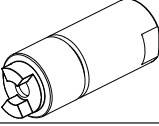
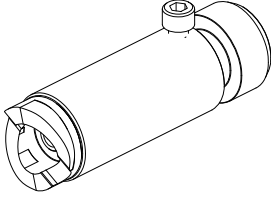
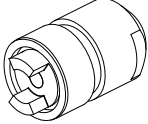
- Verwijder om de bougie te controleren of vervangen de bougiekabel door deze van de bougie los te trekken.
- Sluit de kabel om de bougie te controleren, weer aan op de bougie en houdt deze tegen het motorhuis en trek de machine aan met het startkoord zoals onder aangegeven. **Monteren gebeurt in omgekeerde volgorde.**



Resetten van het toerental van de motor

Opmerking:- Wanneer u het toerental van de motor controleert of reset, laat het niet boven 2800 toeren per minuut uit komen.

- Draai om het toerental in te stellen de stopschroefklamp (C) los en trek deze terug, start de machine en draai schroef (D) in of uit om het toerental te verhogen of verlagen. Zet de machine uit wanneer 2800 toeren per minuut is bereikt. Houd de gashendel in de maximum achteruit positie en druk de stopklamp terug en schroef hem vast.

Koppeling	Fabrikant	Diam.	Ref.	Koppeling	Fabrikant	Diam.	Ref
	Dynapac, CEL, Sovemat, Winget, Wacker, GCM, Bartell	60mm	44.2.118		Errut	59.8mm	44.2.117
	Metrix	48.5mm	44.2.121		Fyne, Norton Clipper	1 7/8"	44.2.120
	Warsop	65mm	44.2.119				

Uw nieuw Altrad Belle mechanische trilnaald heeft een garantie voor de eerste koper van een jaar (12 maanden) gerekend vanaf de datum van aankoop. De garantie van Altrad Belle is geldig in geval van ontwerp-, materiaal- en fabrieksfouten.

Het volgende valt niet onder de garantie van Altrad Belle:

1. Schade als gevolg van misbruik, verkeerd gebruik, het vallen van de machine, en andere soortgelijke schade als gevolg van het niet opvolgen van de montage-, bedienings- en onderhoudsinstructies.
2. Aanpassingen, montage van extra onderdelen of reparaties door anderen dan Altrad Belle of diens erkende agenten.
3. De kosten van transport- en vervoer van en naar Altrad Belle. of diens erkende agenten in verband met reparatie dan wel inschatting van schade aan de machine bij een garantieclaim.
4. Materiaal- en/of arbeidskosten voor het vernieuwen, repareren of vervangen van onderdelen als gevolg van normale slijtage.

De volgende onderdelen vallen niet onder de garantie:

- Luchtfilter (motor)
- Bougie (motor)

Altrad Belle en/of diens erkende agenten, leidinggevend, medewerkers en verzekeraars kunnen niet aansprakelijk worden gesteld voor gevolgschade of andere schade, verliezen dan wel onkosten in verband met of als gevolg van het onvermogen de machine voor enig doel te gebruiken.

Garantieclaims

Garantieclaims dienen in eerste instantie telefonisch, schriftelijk, per fax of per e-mail te worden gericht aan Altrad Belle.

Garantieclaims

Tel: +44 (0)1298 84606

Fax: +44 (0)1298 84073

E-mail : Warranty.dept@altrad-belle.com

Nummers voor garantieclaims:

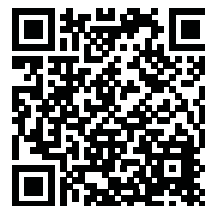
Altrad Belle Warranty Department,
Sheen, Nr. Buxton
Derbyshire
SK17 0EU
England

Garantieregistratie:

In de offerte voor ALTRAD Belle om groener en meer ecovriendelijk te worden hebben we een online Garantieregistratie geïntroduceerd. Om de registratiepagina op onze website te openen kunt u het volgende adres gebruiken:

http://www.bellegroup.com/index.php?p=warranty_registration

U kunt ook de QR Code (Quick Response Code) gebruiken om met uw smartphone de registratiepagina te openen.



Vervangingsonderdelen

Bij het onderhoud van dit product mogen alleen originele, originele vervangingsonderdelen van de fabrikant worden gebruikt.

De gebruiker verliest alle mogelijke claims als de gebruikte vervangingsonderdelen niet de originele vervangingsonderdelen van de fabrikant zijn.

Een pdf met onderdelenlijsten voor dit product is te vinden in het 'product' gedeelte van onze website www.Altrad-Belle.com. Informatie over het kopen van vervangende onderdelen bij uw plaatselijke dealer is vervolgens te vinden in het gedeelte 'contact met ons opemen'



Benutzung Dieser Anleitung

Diese Anleitung soll Ihnen die sichere Bedienung und Instandhaltung dieses Antriebsaggregats ermöglichen. Die Anleitung ist für Händler und Betreiber bestimmt.

Vorwort

Der Abschnitt **'Maschinenbeschreibung'** soll Sie mit dem Maschinenlayout und den einzelnen Bedienelementen vertraut machen. Im Abschnitt **'Umwelt'** finden sich Anweisungen über die Entsorgung bzw. Verwertung der Bauteile dieses Geräts nach Ablauf seiner Nutzdauer auf umweltfreundliche Art und Weise.

Die Abschnitte **'Allgemeine Sicherheit'** und **'Gesundheits- und Arbeitsschutz'** beschreiben die Benutzung der Maschine zur Gewährleistung Ihrer eigenen Sicherheit und von Mitgliedern der Öffentlichkeit.

Unter **'Starten und Abstellen'** werden die Inbetriebsetzung und die Abschaltung der Maschine beschrieben.

Die Abschnitte **'Anschluss'** und **'Bedienung des Geräts'** sollen es Ihnen erleichtern, das Gerät einzurichten und in Betrieb zu nehmen.


Die **'Hinweise für die Fehlersuche'** helfen Ihnen, Störungsursachen der Maschine aufzufinden.


Im Abschnitt **'Instandhaltung'** finden sich die Angaben für die allgemeine Instandhaltung und die Wartung Ihrer Maschine.

Der Abschnitt **'Gewährleistungen'** detailliert die von uns übernommenen Pflichten und beschreibt das Verfahren für die Stellung von Gewährleistungsansprüchen.

Warnhinweise:


In dieser Anleitung finden sich folgende Warnhinweise, die unbedingt beachtet werden müssen:

 **WARNEN** Beschädigungs- bzw. Verletzungsgefahr. Bei Nichteinhaltung der vorgeschriebenen Arbeitsweise besteht die Gefahr von Maschinenschäden bzw. Personenverletzungen.

 **WARNUNG** Lebensgefahr für den Bediener.



Warnung

 **WARNUNG** Vor Benutzung der Maschine bzw. vor der Ausführung von Instandhaltungsarbeiten **MÜSSEN SIE SICH MIT DEM INHALT DIESER ANLEITUNG VERTRAUT MACHEN !**

SIE MÜSSEN MIT DER SICHEREN BEDIENUNG DER MASCHINE VERTRAUT SEIN und wissen, welche Instandhaltungsarbeiten für Ihre ständige Sicherheit erforderlich sind. (N.B. Informieren Sie sich vor dem Einschalten der Maschine, wie Sie wieder abstellen können, damit Sie Probleme vermeiden).

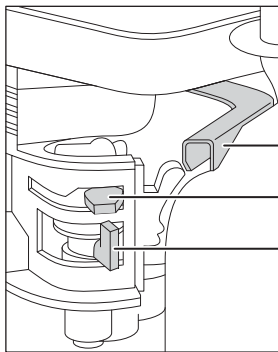
BEI FRAGEN über die sichere Benutzung oder Instandhaltung dieses Geräts: FRAGEN SIE IHREN VORGESETZTEN, ODER WENDEN SIE SICH Altrad Belle : **+44 (0)1298 84606**



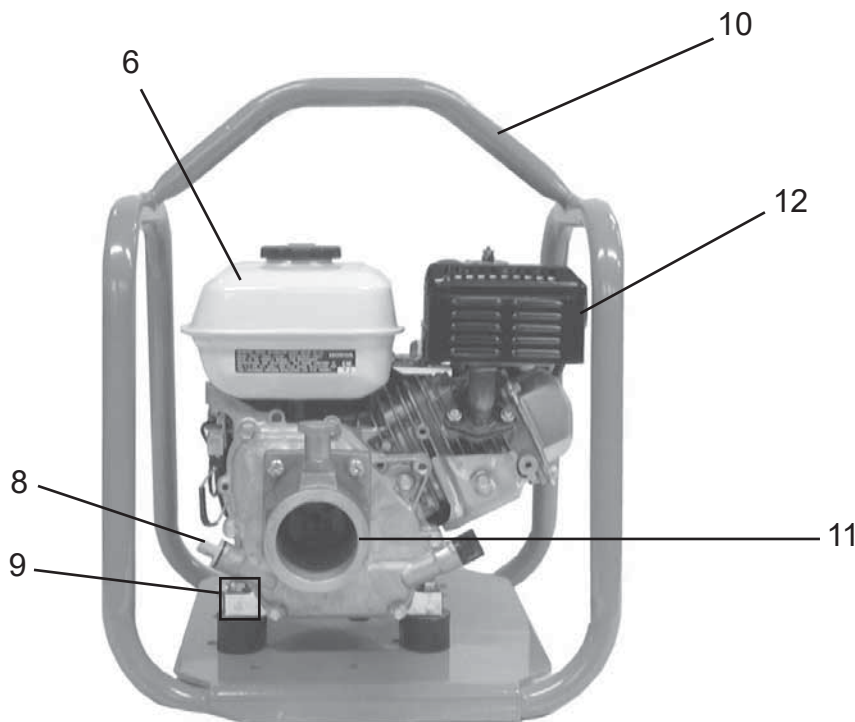
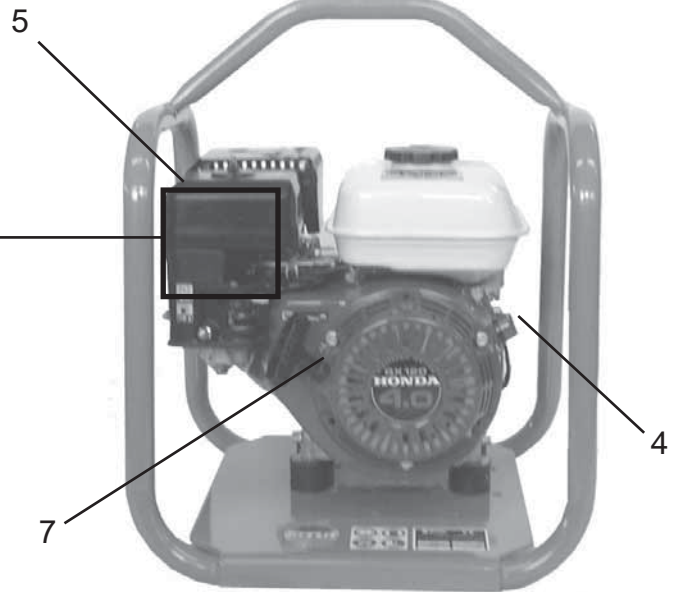
Inhaltsverzeichnis

Benutzung dieser Anleitung.....	60
Warnung.....	60
Maschinenbeschreibung.....	61
Umwelt.....	61
Technische Daten.....	62
Allgemeine Sicherheit.....	62
Arbeitssicherheit und Gesundheit.....	62
Sicherheitskontrollen vor dem Start.....	63
Start- & Stoppverfahren.....	63 - 64
Anschlussverfahren.....	65
Benutzung des Antriebsaggregats.....	65
Hinweise für die Fehlersuche.....	66
Wartung.....	66 - 67
Identifikation des Kupplungsstücks.....	68
Gewährleistungen.....	69
Ersatzteile.....	69
EG-Konformitätserklärung.....	8

Altrad Belle behält sich jederzeit das Recht zu Änderungen an der Maschine ohne vorherige Ankündigung vor.



Drossel klappe
Choke
Kraftstoff EIN / AUS Hebel



1. Motordrehzahlregler.
2. Choke-Zug.
3. Stellhebel Kraftstoff EIN/AUS.
4. Motor EIN/AUS-Schalter.
5. Luftfiltergehäuse.
6. Kraftstofftank.
7. Starterzuggriff.
8. Motorenöl-Füllstutzen/Peilstab.
9. Ölablassschraube.
10. Anschlagpunkt.
11. Verbindungswelle
12. Auspuff.

NB: Die Angaben gelten für einen Honda GX120-Motor. Weitere Angaben über den Yanmar, Hatz und Lombardini Motoren finden Sie in der mit dem Motor gelieferten Anleitung.

Umwelt

Sichere Entsorgung.



Hinweise für den Umweltschutz.
Ihre Maschine enthält wertvolle Werkstoffe. Übergeben Sie daher die Maschine nach Ende der Nutzdauer zur Entsorgung einem geeigneten Recycling-Betrieb.

Bauteil	Werkstoff
Rahmen	Stahl
Motor (Benzin)	Aluminium
Motor (Diesel)	Aluminium
Flexible Lager	Stahl und Gummi
Verbindungswelle	Stahl



Technische Daten

Modell	Honda GX160	Loncin H135	Hatz 1B20	Lombardini 15LD225
Maschinenbreite (mm)	420	420	430	430
Maschinenhöhe (mm)	520	520	630	630
Maschinenlänge (mm)	445	445	500	500
Motorleistung (Hp / kW)	4.9 / 3.6	3.5 / 2.6	4.6 / 3.4	4.0 / 3.0
Maschinengewicht (kg)	26	24	43	38
Motordrehzahl (rpm)	2800	2800	2800	2800
Kraftstofftyp	Unleaded	Unleaded	Diesel	Diesel



Allgemeine Sicherheit

Zur Gewährleistung Ihres persönlichen Schutzes und des Schutzes anderer machen Sie sich bitte mit den nachfolgenden Sicherheitshinweisen vertraut. Zur Gewährleistung Ihres persönlichen Schutzes und des Schutzes anderer machen Sie sich bitte mit den nachfolgenden Sicherheitshinweisen vertraut. Bei Unsicherheiten über die sichere und korrekte Benutzung dieses Antriebsaggregat wenden Sie sich bitte an Ihren Vorgesetzten oder direkt an Ihren nächstgelegenen Belle-Händler



WARNEN

Falsche Bedienung oder Instandhaltung ist gefährlich. Vor der Ausführung von Instandhaltungs und Reparaturarbeiten bitte unbedingt diesen Abschnitt lesen.

- Den Arbeitsbereich abgrenzen und Mitglieder der Öffentlichkeit und unbefugtes Personal fernhalten.
- Bei der Benutzung dieses Geräts muss unbedingt die vorgeschriebene Schutzkleidung bzw. Schutzausrüstung getragen werden. (Siehe Arbeitssicherheit & Gesundheit).
- Machen Sie sich unbedingt VOR dem EINSchalten mit der sicheren AUSschaltung dieses Geräts vertraut. Sie vermeiden damit potentielle Probleme.
- Maschine IMMER vor dem Transport oder vor dem Umsetzen bzw. der Instandhaltung AUSschalten.
- Während des Betriebs wird der Motor sehr heiß. Lassen Sie den Motor vor dem Berühren abkühlen !
- Nie den Motor bei unbeaufsichtigter Maschine laufen lassen. Angebrachte Schutzabdeckungen nie entfernen oder abändern. Sie dienen Ihrem eigenen Schutz ! Schutzabdeckungen immer auf ihren Zustand und auf Sicherheit kontrollieren- Bei Schäden oder fehlenden Abdeckungen. ANTRIEBSAGGREGAT UNTER FOLGENDEN UMSTÄNDEN NICHT VERWENDEN, bis die Abdeckung repariert oder erneuert worden ist.
- Benutzen dieses Antriebsaggregat, wenn Sie sich unwohl oder müde fühlen, oder unter dem Einfluss von Alkohol oder Medikamenten stehen.

Sicherheit beim Umgang mit Kraftstoffen.



WARNEN

Kraftstoffe sind leicht brennbar. Sie können schwere Verletzungen und Sachschäden verursachen. Vor dem Nachfüllen von Kraftstoff Motor abstellen. Kein offenes Feuer. Rauchverbot. Verschütteten Kraftstoff sofort aufnehmen und entsorgen.

- Vor dem Nachfüllen von Kraftstoff Motor abstellen und abkühlen lassen.
- Beim Nachfüllen von Kraftstoff gelten RAUCHVERBOT und KEIN OFFENES FEUER.
- Verschütteten Kraftstoff unverzüglich mit Sand aufnehmen. Beim Verschütten auf Kleidungsstücke diese wechseln.
- Kraftstoffe in einem speziellen Behälter entfernt von Wärme und Zündquellen lagern.



Arbeitsschutz und Gesundheit

Vibration

Ein Teil der Vibrationen wird während des Arbeitsvorganges über den Griff auf die Hände der bedienenden Person übertragen. Beachten Sie bitte die Spezifikationen und Technischen Daten für Vibrationsstärken und Einsatzzeiten (empfohlene Maximalzeit pro Tag). Die maximalen Einsatzzeiten dürfen **NICHT** überschritten werden.

Persönliche Schutzausrüstung.

Bei Benutzung dieses Geräts muß die persönliche Schutzausrüstung getragen werden Schutzbrille, Handschuhe, Gehörschutz, Staubschutzmaske und Sicherheitsschuhe mit Zehenschutz. Immer geeignete Arbeitsbekleidung tragen. Lange Haare hochstecken und Schmuckstücke ablegen, die sich in beweglichen Teilen verfangen können.

Staub

Während des Verdichtungsvorganges kann Staub aufwirbeln, der für Ihre Gesundheit eine Gefahr darstellen kann. Tragen Sie immer eine dem auftretenden Staubtyp angemessene Staubschutzmaske.

Kraftstoff.

Kraftstoff nicht verschlucken, und Kraftstoffdämpfe nicht einatmen. Hautkontakt vermeiden. Kraftstoffspritzer sofort gut abwaschen. Beim Verspritzen in die Augen, unverzüglich mit großen Mengen Wasser spülen und sobald wie möglich ärztliche Behandlung aufsuchen.

Auspuffgase

Antriebsaggregat nie in geschlossenen Räumen oder unter beschränkten Raumverhältnissen betreiben. Immer darauf achten, dass der Arbeitsbereich gut belüftet ist.



WARNUNG

Die Auspuffgase dieses Geräts sind hochgiftig. Lebensgefahr!

Inspektion vor dem Start

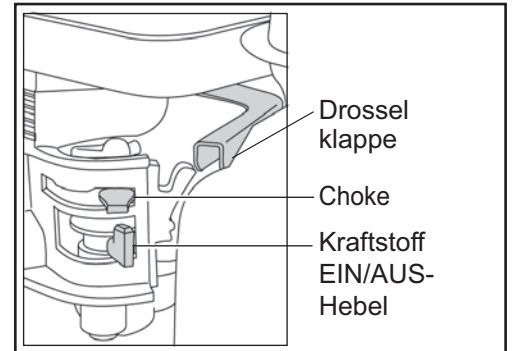
Die nachfolgende Inspektion muß am Anfang jedes Arbeitstags oder nach vier Stunden Benutzung durchgeführt werden, je nachdem. Welcher Zeitpunkt zuerst eintritt. Detaillierte Angaben finden sich in der Instandhaltungsanleitung. Werden Mängel entdeckt, müssen diese unverzüglich beseitigt werden. Bis dann darf das Gerät nicht benutzt werden!

1. Gerät eingehend auf Anzeichen von Schäden prüfen. Gerät auf das Vorhandensein und den festen Sitz aller Bauteile kontrollieren.
2. Ölfüllstand am Motor kontrollieren. Ggf. nachfüllen.
3. Kraftstoffstand kontrollieren und nach Bedarf auffüllen.
4. Auf Kraftstoff- und Ölleckstellen kontrollieren.

Starten en stoppen

Honda GX160

1. Zet de brandstofvoevoer open door de brandstofvoevoerhendel volledig naar rechts te duwen.
2. Zet bij het starten van een koude motor de choke aan (ON) door de chokehendel volledig naar links te duwen. Bij het herstarten van een warme motor is de choke gewoonlijk niet meer nodig, maar als de motor enigszins is afgekoeld, moet u mo gelijk gedeeltelijk choken.
3. Draai de motor-aan-uit-schakelaar naar rechts in de stand 'I'.
4. Zet de gasklep in de stand voor stationair toerental door de gashendel volledig naar rechts te duwen.
5. Houd de bedieningshendel met één hand goed vast en trek met de andere hand aan de repeteerstarter totdat u weerstand van de motor voelt. Laat de starter vervolgens los.
6. Trek flink aan de repeteerstarter, maar let erop dat u het koord niet volledig uittrekt.
7. Herhaal deze procedure totdat de motor aanslaat.
8. Als de motor aanslaat, moet de chokehendel geleidelijk naar rechts worden geduwd (naar de stand OFF).
9. Is de motor na verscheidene pogingen niet aanslaat, raadpleeg dan de paragraaf Foutopsporing
10. Zum Abstellen des Motors, Drosselklappe in Leerlaufstellung bringen und Motor wenigstens 2 Minuten lang im Leerlauf durchdrehen lassen.
11. Motor-EIN/AUS-Schalter nach links in die "0-Stellung" bringen.



Loncin H135

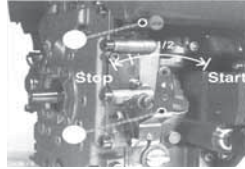
1. Flyt brændstofventilhåndtaget til 'tændt'.
2. For at starte en kold motor skal du flytte chokerhåndtaget til 'tæt' position. For at genstarte en varm motor skal du lade chokerhåndtaget stå i 'åben' position.
3. Flyt gashåndtaget væk fra den 'langsomme' position, ca. 1/3 af vejen mod den 'hurtige' position.
4. Drej motorafbryderen til 'tændt'.
5. Træk let i startgrebet, indtil du føler modstand, og træk derefter hurtigt. Sæt startgrebet forsigtigt tilbage.
6. Hvis chokerhåndtaget er flyttet til 'lukket' position for at starte motoren, skal du gradvist flytte den til 'åben' position, når motoren varmes op.

For at stoppe motoren i en nødsituation skal du blot dreje motorafbryderen til 'slukket'. Brug følgende procedure under normale forhold.

1. Flyt gashåndtaget til 'langsom' position.
2. Drej motorafbryderen til 'slukket'.
3. Drej brændstofventilhåndtaget til 'slukket'.

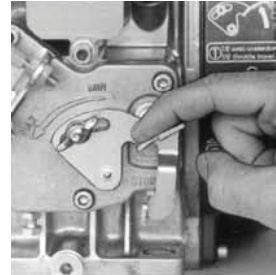
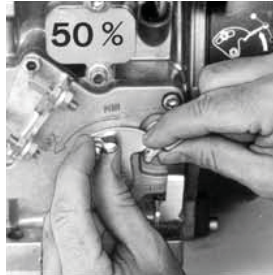
Hatz 1B20

1. Kraftstoffzufuhr durch Drehen des EIN/AUS-Hebels ganz nach rechts EIN schalten.
2. Motordrehzahlregler in die Startstellung bringen.
3. Lenkung mit einer Hand festhalten, Griff des Anlasserzugs mit der anderen fassen und herausziehen, bis Motorwiderstand spürbar ist
4. Startgriff kräftig mit beiden Händen ziehen. Darauf achten, dass das Zugkabel nicht ganz herausgezogen wird.
5. Den Vorgang wiederholen, bis der Motor zündet.
6. Startet der Motor nach mehreren Versuchen nicht, Störungsursache anhand der Betriebsanleitung des Motorherstellers ermitteln.
7. Zum Abstellen des Motors, Drosselklappe i Leerlaufstellung bringen und dann rote Stopptaste drücken, bis der Motor abstellt.

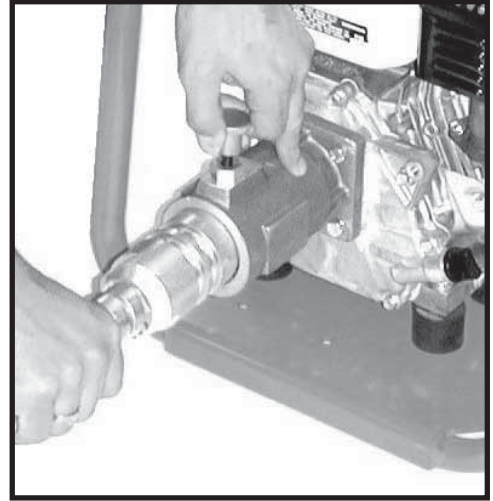


Dieselmotor Lombardini 15LD225

1. Kontrollieren Sie, dass der Gashebel auf 50 % der Maximalgeschwindigkeit eingestellt ist (auf halbem Wege zwischen MIN und MAX).
2. Nehmen Sie den Griff des Seilzugstarters fest in die Hand und ziehen Sie das Seil vorsichtig bis zum Anschlag heraus. Lassen sie dann das Seil sich wieder vollständig aufrollen. Lassen Sie den Motor an, indem Sie kräftig am Seil ziehen.
3. Wiederholen Sie diesen Vorgang, bis der Motor anspringt.
4. Falls der Motor auch nach mehreren Versuchen nicht anspringt, so ziehen Sie das beiliegende Handbuch zu Rate.
5. Lassen Sie den Motor 5 min im Leerlauf laufen.
ACHTUNG: Belasten Sie den Motor während der ersten 50 Betriebsstunden mit höchstens 70 % seiner Maximalleistung.
6. Zum Abstellen des Motors stellen Sie den Gashebel solange auf STOPP, bis der Motor angehalten hat



1. Zur Verbindung des flexiblen Antriebs mit dem Antriebsaggregat den Absteckkolbengriff am Flansch ziehen und Verbindungsstück des flexiblen Antriebs einstecken.
2. Nach dem Loslassen des Griffs muss der Absteckkolben in das Verbindungsstück einrasten.
3. Rastet der Absteckkolben nicht ein, die Motorkolbenwelle mit dem Zugseil oder dem Griff drehen und gleichzeitig das Endstück bis zum Einrasten andrücken.



Benutzung des Antriebsaggregats

- **Das Aggregat erst an den Einsatzort bringen.**
Vor dem Transport des Antriebsaggregats an einen anderen Einsatzort immer erst den Motor abstellen. Gerät NIE mit noch laufendem Motor transportieren, selbst wenn der Transportweg nur kurz ist.
- **Nach den Kontrollen im Abschnitt "Vor dem Start" und dem Anschließen des Tachrüttlers wie beschrieben darf der Motor gestartet werden.**
Der Motor sollte jetzt mit Leerlaufdrehzahl laufen. Den Motor IMMER auf ungewöhnliche Laufgeräusche kontrollieren. Bei abnormalem Lauf Maschine sofort abstellen und anhand der Fehlersuchtafel die Ursache ermitteln.
- **Drosselklappe jetzt voll öffnen. Der Tachrüttler kann danach in den Beton gesteckt werden.**
- Zum Abstellen des Geräts siehe "Start- und Stopverfahren"

Anmerkung:

Die Motordrehzahl ist werkseitig auf 2800 min⁻¹ eingestellt. Wird diese Drehzahl überschritten, so kann das zu Schäden am Rüttler und der flexiblen Welle führen. In solchen Fällen wird unsere Gewährleistung null und nichtig.

Problem	Mögliche Ursache	Abhilfe
Motor startet nicht.	Kein Kraftstoff.	Kraftstoffhahn öffnen.
		Kraftstofftank füllen.
	Motor abgestellt.	Motor einschalten.
	Verschmutzte Zündkerze.	Kerze reinigen, Funkabstand prüfen und nachjustieren.
	Motor kalt.	Choke schließen.
Motor 'abgesoffen'.		Honda, Drossel ganz öffnen, dann Starterzug betätigen. Bis Motor zündet.
		Hatz, Drehzahlregler in Stop-Stellung bringen, Starterzug 5-mal ziehen, dann neu Starten.
Motor springt nicht oder.	Größere Störung an.	Kontaktieren Sie Händler Altrad Belle.

Instandhaltung

Tauchrüttler der Altrad Belle sind für langjährigen, problemlosen Betrieb konstruiert. Es ist aber wichtig, dass in regelmäßigen Zeitabständen die in diesem Abschnitt beschriebenen Instandhaltungsarbeiten und notwendige Reparaturen ausgeführt werden. Wir empfehlen ihnen, alle wesentlichen Instandhaltungs- und Wartungsarbeiten durch eine anerkannte Altrad Belle-Kundendienststelle durchführen zu lassen. Verwenden Sie nur anerkannte Altrad Belle Ersatzteile. Die Verwendung von ungeeigneten Teilen anderer Hersteller kann unsere Gewährleistung ungültig machen.

Vor der Durchführung von Instandhaltungsarbeiten unbedingt den Motor abstellen. Beim Arbeiten an einem Gerät mit Ottomotor, die Hochspannungsleitung von der Zündkerze abnehmen. Bei Maschinen mit Dieselmotor ist darauf zu achten, dass der Kraftstoffhahn geschlossen wird.

Antriebsaggregat immer ebenerdig aufstellen, damit Füllstände einwandfrei abgelesen werden können. Nur empfohlene Schmieröle verwenden (siehe nachfolgende Tabelle).

Einlaufzeit

Nach der Inbetriebnahme der Tauchrüttler muss das Motorenöl nach der ersten Einlaufzeit gewechselt werden (ausführliche Angaben finden sich in der Betriebsanleitung für den Motor).

Routineinstandhaltung		Alle 4 Stunden	1. Monat / 20h	3 Monate / 50 H	6 Monate / 100 H
Motoröl	Füllstands-Kontrolle	✓			
	Wechsel		✓		✓
Luftfilter	Kontrolle		✓		✓
	Reinigen / Ersetzen			✓	
Zündkerze	Kontrolle / Reinigung				✓

Öl-/ Kraftstofftyp & -mengen - Zündkerzentyp

	Öltype	Menge	Kraftstofftyp	Fassungsvermögen	Kerzentyp	Zündspalt (mm)
Otto-Motor Honda GX160	S.A.E. 10W 30	0.6l	Bleifrei	3.6l	BM6ES oder BPR6ES	0.6 - 0.7
Otto-Motor Loncin H135	S.A.E. 10W 30	0.6	Bleifrei	3.6	BM6ES oder BPR6ES	0.7 - 0.8
Diesel-Motor Hatz 1B20	Siehe Anleitung	0.9l	Diesel (BS2869)	3.0l	n/a	n/a
Diesel-Motor Lombardini 15LD225	S.A.E. 15W 40	0.8l	Diesel (BS2869)	2.5l	n/a	n/a

Achtung: Überzeugen Sie sich vor der Demontage jedweder Teile davon, dass der Motor zum Stillstand gekommen ist.

Kupplungsgehäuse

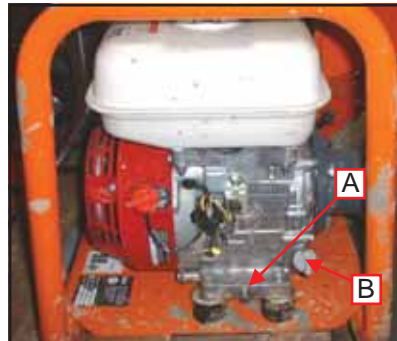
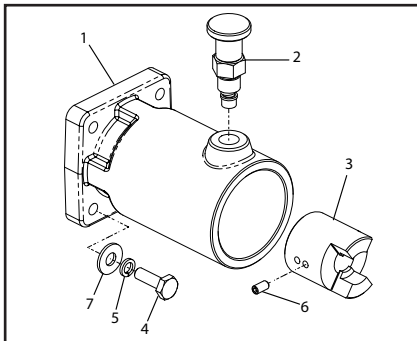
- Um das Kupplungsgehäuse zu entfernen, entfernen Sie alle vier Schrauben (4); das Kupplungsgehäuse lässt sich nun entfernen. Entfernen Sie den Gewindestift (6) von der Kupplung (3); die Antriebskupplung lässt sich nun abnehmen.
Der Zusammenbau erfolgt in umgekehrter Reihenfolge.

Motorenöl

- Um das Motorenöl zu wechseln, schrauben Sie die Ölablassschraube wie im Bild gezeigt (A) aus der Ölwanne heraus und lassen Sie das Öl ab.
- Zum Prüfen des Ölstands bzw. zum Nachfüllen von Öl benutzen Sie den schwarzen Plastikpfropfen (B). Das Öl muss genau bis zum Rand des Pfropfens stehen. Füllen Sie nur Öl der Sorte 10 W 30 nach.

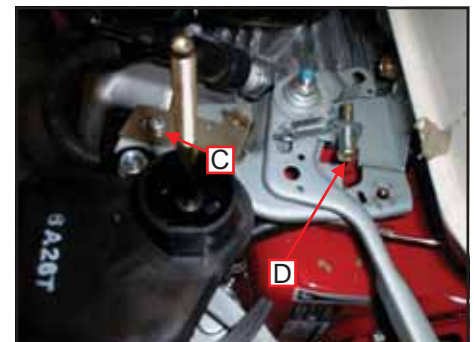
Luftfilter

- Entfernen Sie zum Überprüfen oder Wechseln des Ölfilters die Flügelmutter auf der schwarzen Luftfilterabdeckung. Nach dem Abnehmen der Abdeckung lösen Sie die zweite Flügelmutter, um den Ölfilter zu entfernen (siehe unten).



Zündkerze

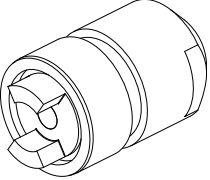
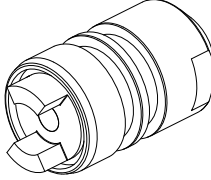
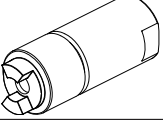
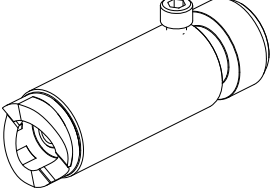
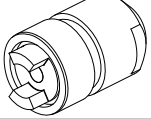
- Zum Überprüfen oder Auszuwechseln des Kerzensteckers entfernen Sie das Zündkabel, indem Sie es abziehen und nehmen dann den Kerzenstecker ab.
- Zum Überprüfen des Kerzensteckers setzen Sie das Zündkabel wieder in den Kerzenstecker ein, halten Sie den Kerzenstecker gegen das Motorgehäuse und ziehen den Seilzugstarter durch (siehe unten).
Der Zusammenbau erfolgt in umgekehrter Reihenfolge.



Rücksetzen der Motordrehzahl

Beachte: Überschreiten Sie beim Kontrollieren bzw. Zurücksetzen der Motordrehzahl niemals 2800 U/min.

Zum Einstellen der Motordrehzahl lösen Sie die Halterung der Anschlagsschraube (C) und ziehen die Halterung zurück, lassen den Motor an und drehen die Schraube (D) heraus bzw. herein, um die Motordrehzahl zu erhöhen bzw. zu verringern. Sobald 2800 U/min erreicht sind, stellen Sie den Motor ab. Halten Sie den Gashebel in der Maximalstellung, schieben Sie die den Stopper zu diesem hin und ziehen Sie fest.

Kupplungsstück	Hersteller	Durchm.	Teil-Nr.	Kupplungsstück	Hersteller	Durchm.	Teil-Nr.
	Dynapac, CEL, Sovemat, Winget, Wacker, GCM, Bartell	60mm	44.2.118		Errut	59.8mm	44.2.117
	Metrix	48.5mm	44.2.121		Fyne, Norton Clipper	1 7/8"	44.2.120
	Warsop	65mm	44.2.119				

Auf den Tauchrüttler gewähren wir dem ersten Erwerber einen Gewährleistungszeitraum von einem Jahr (12 Monaten) gerechnet vom Datum der Anschaffung. Diese Gewährleistung erstreckt sich auf Konstruktions- und Materialfehler und Sachmängel.

Die ALTRAD Belle Gewährleistung gilt in folgenden Fällen nicht:

1. Mutwillige Schäden, Schäden durch Missbrauch, Aufprallschäden oder ähnliche Schäden, die durch Nichtbeachtung der Montage-, Benutzungs oder Instandhaltungsanweisungen verursacht worden sind.
2. Änderungen oder Reparaturen, die von anderen als ALTRAD Belle oder deren anerkannte Kundendienststellen durchgeführt worden sind.
3. Transport- oder Versandkosten an und von ALTRAD Belle oder deren anerkannte Kundendienststelle zu Reparaturzwecken, oder zur Kontrolle von Maschinen bei Garantieansprüchen.
4. Material- und Lohnkosten für die Erneuerung, Reparatur oder den Ersatz von Teilen, die natürlichem Verschleiß unterliegen.

Nachfolgende Teile sind von unserer Gewährleistung ausgeschlossen:

- Motor-Luftfilter
- Zündkerzen

ALTRAD Belle und deren Beauftragte, Geschäftsführer, Mitarbeiter oder Versicherer übernehmen keinerlei Haftung für Folge- oder andere Schäden oder Kostenerstattungsansprüche die darauf beruhen, dass sich die Maschine nicht für einen bestimmten Zweck verwenden lässt.

Garantiefall

Im Garantiefall wenden Sie sich bitte zunächst entweder telefonisch, per Fax, E-Mail oder schriftlich an die ALTRAD Belle.

Tel: +44 (0)1298 84606,

Fax: +44 (0)1298 84073,

E-mail : Warranty.dept@altrad-belle.com

Rufnummern für Garantieansprüche:

Altrad Belle Warranty Department,
Sheen, Nr. Buxton
Derbyshire
SK17 0EU
England

Garantieregistrierung:

Im Bemühen, ALTRAD Belle noch grüner und umweltfreundlicher zu gestalten, haben wir jetzt eine Online-Garantieregistrierung eingeführt. Um auf die Registrierungsseite unserer Internetpräsenz zu gelangen, nutzen Sie bitte die folgende Adresse:

http://www.bellegroup.com/index.php?p=warranty_registration

Andernfalls können Sie auch den beigefügten QR-Code (Quick Response Code) einscannen, um die Registrierungsseite über Ihr Handy aufzurufen.



Bei der Wartung dieses Produkts dürfen nur Originalersatzteile des Herstellers verwendet werden.

Der Benutzer verliert alle möglichen Ansprüche, wenn die verwendeten Ersatzteile nicht die Originalersatzteile des Herstellers sind.

Eine PDF-Datei mit Teilleisten für dieses Produkt finden Sie im Bereich "Produkt" auf unserer website www.Altrad-Belle.com. Informationen zur Beschaffung von Ersatzteilen bei Ihrem Händler vor Ort finden Sie im Abschnitt "Kontakt"



BELLE
LIGHT
CONSTRUCTION
EQUIPMENT

ALTRAD BELLE

Sheen, Nr. Buxton, Derbyshire, SK17 0EU, GB

Tel. +44 (0)1298 84606 - Fax +44 (0)1298 84722 - Email: sales@altrad-belle.com

www.Altrad-Belle.com

EU IMPORTER ADDRESS

ADRESSE DE L'IMPORTATEUR - DIRECCIÓN DEL IMPORTADOR - ENDEREÇO DO IMPORTADOR - ADRES IMPORTEUR

IMPORTØRENS ADRESSE - IMPORTEUR ADRESSE - INDIRIZZO DELL'IMPORTATORE - IMPORTÖRENS ADRESS - IMPORTØRADRESSE

MAAHANTUOJAN OSOITE - ADRES IMPORTERA - IMPORTIJA AADRES - IMPORTĚTĀJA ADRESE - IMPORTUOTOJO ADRESAS

ADRESA DOVOZCE - ADRESA IMPORTATORULUI - IMPORTÓR CÍME - ADRESA UVOZNIKA - İTHALATÇI ADRESİ - ADRESA DOVOZCU

ALTRAD (Group Holding)

125, Rue du Mas Carbonnier, 34000, Montpellier, France

Tel. +33 (0) 4 67 50 53 66 - Email: admin@altrad.com

www.altrad.com