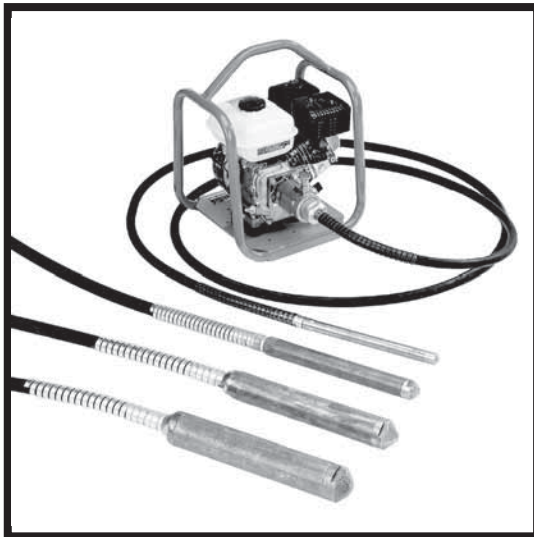




BELLE BGA POKERS

870/20003/5
03/22



ⒸGB	Operators Manual	8
ⒸF	Manuel De L'Opérateur	13
ⒸE	Manual del Operador	18
ⒸP	Manual de Operação	23
ⒸD	Bedienungshandbuch	28
ⒸRUS	Руководство для оператора	33

2

UKCA Declaration of Conformity

3 - 7

EC Declaration of Conformity

Declaration Of Conformity (DOC)

We, **Altrad Belle, Sheen, Nr. Buxton, Derbyshire, SK17 0EU, GB** declare that the DoC is issued under our sole responsibility and belongs to the followings product(s):



PRODUCT TYPE

MODEL.....

SERIAL No.....

DATE OF MANUFACTURE

SOUND POWER LEVEL
MEASURED /
.....(GUARANTEED)

WEIGHT.....



Object of the Declaration:

High-Frequency mechanical poker for the removal of air from concrete.

The object of the declaration described above is in conformity with the relevant **Statutory Requirements:**

- **2008 No. 1597** Supply of Machinery (Safety) Regulations 2008

The following designated standards and technical specifications have been applied:

- **EN ISO 12100:2010** Safety of machinery
- **BS EN 12649:2008+A1:2011** Concrete compactors and smoothing machines. Safety

Technical Files are held by **Ray Neilson** at the Altrad Belle address stated above:-

Place of Declaration:-

Sheen,
Nr. Buxton,
Derbyshire,
SK17 0EU,
UK

Date of Declaration:-

February 2022

Signed by:

Ray Neilson

Managing Director
On behalf of Altrad Belle
Sheen, Derbyshire, UK

Nous, **Altrad Belle, Sheen, Nr. Buxton, Derbyshire, SK17 0EU, GB** déclarons que la DdC est émise sous notre seule responsabilité et qu'elle appartient au(x) produit(s) suivants:



TYPE DE PRODUIT.....

MODÈLE

No DE SÉRIE.....

DATE DE FABRICATION.....

NIVEAU DE PUISSANCE ACOUSTIQUE

MESURÉ /

.....(GARANTI)

POIDS

Voir page 3
pour cette information

Objet de la déclaration:

Aiguiseur mécanique à haute fréquence pour l'élimination de l'air du béton.

L'objet de la déclaration décrite ci-dessus est conforme à la **législation de l'Union européenne en matière d'harmonisation:**

- **2006/42/EC** Directive relative aux machines

Les normes et les spécifications techniques harmonisées suivantes ont été appliquées:

- **EN ISO 12100:2010** Sécurité des machines

- **BS EN 12649:2008+A1:2011** Compacteurs de béton et polisseuses. Sécurité

Les dossiers techniques sont détenus par **Hugues Menager** à l'adresse suivante:-
Altrad (Group Holding), 125 Rue du Mas Carbonnier, 34000, Montpellier, France.

Lieu de la déclaration:-

Sheen,
Nr. Buxton,
Derbyshire,
SK17 0EU,
UK

Date de la déclaration:-

Mars 2022

Signée par:

Ray Neilson

Directeur Général
Au nom de Altrad Belle
Sheen, Derbyshire, R.-U.

Nosotros, Altrad Belle, Nr. Buxton, Derbyshire, SK17 0EU, Gran Bretaña, declaramos que la DDC se emite bajo nuestra responsabilidad exclusiva y concierne a los siguientes productos:



TIPO DE PRODUCTO.....

MODELO.....

NÚMERO DE SERIE.....

FECHA DE FABRICACIÓN

NIVEL DE POTENCIA ACÚSTICA

MEDIDO /

.....(GARANTIZADO)

PESO

Ver página 3
para esta información

Objeto de la declaración:

Atizador mecánico de alta frecuencia para la eliminación de aire del hormigón.

El objeto de la declaración antes descrita está conforme a la **Legislación sobre armonización de la Unión** relevantes:

- **2006/42/EC** Nueva directiva relativa a las máquinas

Las siguientes normas armonizadas y especificaciones técnicas han sido aplicadas:

- **EN ISO 12100:2010** Seguridad de la maquinaria
- **BS EN 12649: 2008 + A1: 2011** Compactadoras y alisadoras de hormigón. La seguridad

Los archivos técnicos están en poder de **Hugues Menager** en la siguiente dirección:-
Altrad (Group Holding), 125 Rue du Mas Carbonnier, 34000, Montpellier, Francia.

Lugar de la Declaración:-

Sheen,
Nr. Buxton,
Derbyshire,
SK17 0EU,
UK

Fecha de la Declaración:-

Marzo 2022

Firmado por:

Ray Neilson

Director General
Por Altrad Belle
Sheen, Derbyshire, Reino Unido

Nós, **Altrad Belle, Sheen, Nr. Buxton, Derbyshire, SK17 0EU, GB**, declaramos que o DoC foi emitido sob a nossa exclusiva responsabilidade e pertence ao(s) seguinte(s) produto(s):



TIPO DE PRODUTO

MODELO

Nº SÉRIE

DATA DE FABRICO

NÍVEL DE POTÊNCIA SONORA
MEDIDAS /
..... (GARANTIDO)

PESO

Veja a página 3
para esta informação

Objeto da Declaração:

Pistola mecânica de alta frequência para a remoção de ar do concreto.

O objeto da declaração acima descrita está em conformidade com a **Harmonização da Legislação Europeia** pertinente:

- **2006/42/EC** Nova diretiva sobre máquinas

Foram aplicadas as seguintes normas harmonizadas e especificações técnicas:

- **EN ISO 12100:2010** Segurança de máquinas
- **BS EN 12649: 2008 + A1: 2011** Compactadores de concreto e máquinas de alisamento.
Segurança

A documentação técnica é mantida por **Hugues Menager** no seguinte endereço:-
Altrad (Group Holding), 125 Rue du Mas Carbonnier, 34000, Montpellier, França.

Local da Declaração:-

Sheen,
Nr. Buxton,
Derbyshire,
SK17 0EU,
UK

Data da Declaração:-

Março 2022

Assinado por:

Ray Neilson

Diretor Executivo
Em representação da Altrad Belle
Sheen, Derbyshire, Reino Unido

Wir, Altrad Belle, Sheen, Nr. Buxton, Derbyshire, SK17 0EU, GB erklären, dass vorliegende Konformitätserklärung unter unserer alleinigen Verantwortung ausgestellt wurde und sich auf folgende(s) Produkt(e) bezieht:



PRODUKTTYP.....

MODELL

SERIENNUMMER

HERSTELLUNGSDATUM

SCHALLLEISTUNGSPEGEL

GEMESSEN /

..... (GARANTIERT)

GEWICHT.....

**Siehe Seite 3
für diese Informationen**

Gegenstand der Erklärung:

Mechanischer Hochfrequenzrüttler zum Entfernen von Luft aus Beton.

Gegenstand der oben beschriebenen Erklärung ist die Konformität mit den einschlägigen Harmonisierungsrechtsvorschriften der Union:

- **2006/42/EG** Neue Maschinenrichtlinie

Die folgenden harmonisierten Normen und technischen Spezifikationen wurden angewandt:

- **EN ISO 12100:2010** Sicherheit von Maschinen

- **BS EN 12649:2008+A1:2011** Betonverdichter und Glättmaschinen. Sicherheit

Die technischen Unterlagen werden von **Hugues Menager** unter folgender Adresse aufbewahrt: - **Altrad (Group Holding)**, 125 Rue du Mas Carbonnier, 34000, Montpellier, Frankreich.

Ort der Erklärung:-

Sheen,
Nr. Buxton,
Derbyshire,
SK17 0EU,
UK

Datum der Erklärung:-

Marsch 2021

Unterzeichnet von:

Ray Neilson

Geschäftsführender Direktor
Im Namen von Altrad Belle
Sheen, Derbyshire, Großbritannien



How To Use This Manual

This manual has been written to help you operate and service the 'BGA' flexible shaft poker safely. This manual is intended for dealers and operators of the 'BGA' flexible shaft poker.

Foreword

The '**Machine Description**' section helps you to familiarise yourself with the machine's layout and controls.

The '**Environment**' section gives instructions on how to handle the recycling of discarded apparatus in an environmentally friendly way.

The '**Specific Safety Rules**' section explains how to use the machine to ensure your safety and the safety of the general public.

The '**Trouble Shooting Guide**' helps you if you have a problem with your machine.

The '**Service & Maintenance**' section is to help you with the general maintenance and servicing of your machine.

The '**Warranty**' Section details the nature of the warranty cover and the claims procedure.

Directives with regard to the notations.

Text in this manual to which special attention must be paid are shown in the following way:



CAUTION

The product can be at risk. The machine or yourself can be damaged or injured if procedures are not carried out in the correct way.



WARNING

The life of the operator can be at risk.



WARNING



WARNING

*Before you operate or carry out any maintenance on this machine **YOU MUST READ and STUDY** this manual.*

KNOW how to safely use the unit's controls and what you must do for safe maintenance. (NB Be sure that you know how to switch the machine off before you switch on, in case you get into difficulty.)

ALWAYS wear or use the proper safety items required for your personal protection. If you have **ANY QUESTIONS** about the safe use or maintenance of this unit, ASK YOUR SUPERVISOR OR CONTACT: **Altrad Belle (UK): +44 (0) 1298 84606**



Contents

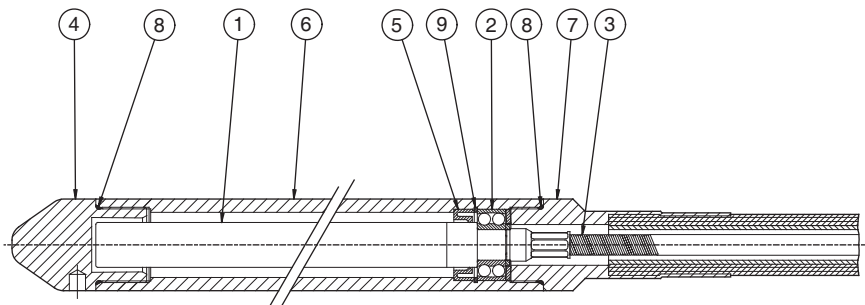
How to use this manual.....	8
Warning	8
Machine Description.....	9
Environment	9
Specific Safety Rules	9
Technical Data.....	10
Pre-Start Checks.....	10
Operating Instructions	10
Storage.....	11
Transportation	11
Trouble Shooting Guide	11
Service & Maintenance	11 - 12
Warranty	12
Replacement Parts.....	12
UKCA Declaration Of Conformity.....	2
EC Declaration Of Conformity.....	3

Altrad Belle reserves the right to change machine specification without prior notice or obligation.

Machine Description



The BGA range of Flexible Shaft Vibrating Pokers are high-frequency pokers intended for working concrete. They have a high vibration output and low service and maintenance costs. Each pocker is designed according to the pendulum principle : low rotation speed of the flexible shaft and high frequency in the vibrator tube. This result in maximum capacity and minimum wear. The BGA range of Flexible Shaft Vibrating Pokers suit all construction sites operating with electric, petrol or diesel drive-units. They are provided with a 5 metre flexible shaft.



1. Pendulum
2. Self Aligning Ball Bearing
3. Flexible Shaft
4. Nose Cap
5. Oil Seal
6. Casing
7. End Shank.
8. O' Ring
9. Retaining Ring

Environment



Safe Disposal.



Instructions for the protection of the environment. The machine contains valuable materials. Take the discarded apparatus and accessories to the relevant recycling facilities.

Component	Material
Couplings	Steel
Poker Heads	Steel
Flexible Inner	Steel
Flexible Casing	Polymeric compounds / Steel
Various Parts	Aluminium and Steel
Seals / O rings	Rubber / Polymeric compounds
Hose	Rubber

Specific Safety Rules



For your own personal protection and for the safety of those around you, please read and ensure you fully understand the following safety information. It is the responsibility of the operator to ensure that he/she fully understands how to operate this equipment safely. If you are unsure about the safe and correct use of the Poker, consult your supervisor or Altrad Belle.



CAUTION

Improper maintenance can be hazardous. Read and Understand this section before you perform any maintenance, service or repairs.

- Firstly read the instruction of the power unit, to which you are going to connect the vibrating pokers.
- Cordon off the work area and keep members of the public and unauthorised personnel at a safe distance.
- Personal Protective Equipment (PPE) must be worn by the operator whenever this equipment is being used (see section below).
- Always switch **OFF** and disconnect the drive unit before transporting, moving it around the site or servicing it.
- Never remove or tamper with any seals or covers fitted, they are there for your protection. Always check covers for condition and security, if any are damaged or missing, **DO NOT USE THE POKER** until it has been replaced or repaired.
- When the pocker is left running out of concrete the pocker head becomes extremely hot. Caution must be exercised when touching the pocker head. The pocker should never be left running out of concrete as it will damage the internal parts.
- Do not operate the Pocker when you are ill, feeling tired, or when under the influence of alcohol or drugs.

VIBRATION

Some vibration from the Pocker is transmitted through the flexible shaft to the operator's hands. Operational exposure time may need limiting.

PPE (PERSONAL PROTECTIVE EQUIPMENT).

Suitable PPE must be worn when using this equipment i.e. Safety Goggles, Gloves, Ear Defenders, Dust Mask and Steel Toe capped footwear. Wear clothing suitable for the work you are doing. Always protect skin from contact with concrete.



Technical Data

Model	BGA 25	BGA 35	BGA 45	BGA 55	BGA 65	BGA 68
Tube Length, mm	-	330	375	390	420	410
Tube Diameter, mm	25	35	45	55	65	68
Flexible Shaft Length, m	5.0	5.0	5.0	5.0	5.0	5.0
Total Weight, Kg	9.5	11.5	16	17	25	21
Frequency, Hz	187	187	187	187	187	187
Amplitude, mm	0.25	0.25	0.25	0.25	1.0	0.7



Pre-start Checks

PRE-USE INSPECTION

The following Pre-use inspection must be performed before the start of each work session or after every four hours of use, whichever is first. Please refer to the service section for detailed guidance. If any fault is discovered, the poker must not be used until the fault is rectified.

1. Thoroughly inspect the poker for signs of damage. Check components are present and secure.
2. Check the flexible shaft for signs of damage.



CAUTION

The maximum speed for the flexible shaft poker is 2800 rpm. If the poker is used above this speed, then it will cause damage to the poker and will invalidate the Altrad Belle Warranty.



Operating Instructions

CONNECTION PROCEDURE

Before connecting the poker to the power unit, You must lay the poker out to its full length.



CAUTION

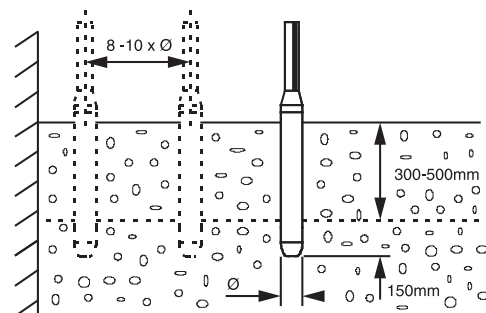
DO NOT connect the poker to the power unit whilst the power unit is operating. This will cause the inner core to snap thus causing extensive internal damage.

1. To assemble the flexible drive to the power unit, raise the plunger knob on the flange and insert the flexible drive end piece connector.
2. On releasing the knob the plunger should locate in the end piece connector.
3. If the plunger fails to locate, rotate the engine crank shaft with the rope start or handle and push the end piece in.



RECOMMENDATIONS FOR USE OF CONCRETE VIBRATOR

1. Choose the right size of poker for: the size of the job, the spacing of reinforcement, slump of the concrete and the mix design.
2. It is recommended to have an additional concrete vibrator available.
3. Pour the concrete evenly, into the form work, in 300-500 mm thick layers. Do not use the poker vibrator to spread the concrete. The operating hose should not be kinked or bent tightly, since this will increase wear.
4. Vibrate the concrete systematically. Make 300-500 mm vertical insertions at intervals of 8-10 times the tube diameter. Where possible, push the poker vibrator about 150 mm into the previous layer of the concrete, this will help obtain the best bonding between the two layers.
The concrete has been thoroughly vibrated when the surface around the poker is shiny and no large air bubbles rise to the surface of the concrete. This normally takes 10-20 seconds at each location of the poker.
5. Withdraw the poker slowly so that the concrete can flow into the void left by the poker.
6. Do not push or force the vibrator against the reinforcement. Keep a distance of 70 mm minimum from the walls.
7. Always remove the poker vertically, so the concrete fills the empty space again. Do not switch off until the poker is withdrawn completely. The speed of removal is approximately 8 cm per second. When the vibrator is almost out, extract quickly to avoid shaking the surface.



CAUTION

Do not keep the concrete vibrator out of the concrete for long periods. If you have stopped vibrating the concrete, turn the poker off.

Storage



When it is not used for long periods of time, Store the poker in a clean, dry and protected environment.

Transportation



When transporting, ensure the poker is safe against damage occurring as a result of slipping, overturning and sudden impact.

Troubleshooting Guide



Problem	Cause	Remedy
Poker Not Vibrating	Core broken	Replace, ensuring that it is adequately greased
	Oil seal broken	Replace
	Bearing damaged / Broken	Replace
	Pendulum damaged / Broken	Replace

Service & Maintenance



The Altrad Belle 'BGA' Flexible Shaft Pokers are designed to give many years of trouble free operation. It is recommended that an approved Altrad Belle dealer carries out all major maintenance and repairs. Always use genuine Altrad Belle replacement parts, the use of spurious parts may void your warranty.

Periodic Maintenance.

1. Before carrying out any maintenance work on the transmission or poker, always ensure that you disconnect the flexible poker from the motor / power unit.
2. It is suggested that the flexible shaft vibrating poker be overhauled at set regular intervals to ensure trouble free operation.

Shaft Maintenance.

3. For adequate shaft maintenance, ensure that the following procedure is carried out. The flexible drive shaft should be dismantled and recharged with grease every 500 working hours.



CAUTION

DO NOT attempt to carry out the lubrication of the flexible shaft under site conditions. It should always be carried out in controlled workshop conditions.

4. It is essential that the correct grade of grease lubricant is use. If difficulty is experienced in obtaining this grade then an equivalent can be used as long as it has a high melting point.
 - Pull the outer casing away so as to expose the inner flex.
 - Clean the steel inner core and core couplings thoroughly with grease solvent.
 - Clean exposed ends of outer casing only with a cloth.
 - After thoroughly cleaning the complete length of the flexible drive shaft, inspect the inner core for any excessive wear due to rubbing action between the core and outer casing spiral reinforcement. Also inspect for damaged and broken outer layer wires. If there is a bend in the outer casing it is advised that a replacement be fitted as this is liable to cause damage to the inner core.
 - Re-grease the inner core with Castrol BM2 grease. The easiest way of re-greasing the shaft is to grasp some grease in the palm of the hand and run the closed hand with the lubricant over the length of the shaft, leaving a light coating of the grease along the length of shaft specified above. The recommended quantity of grease is 25g/m
 - Do not over lubricate the shaft as it could cause the grease to penetrate into the poker head.
 - After the first 300-450mm has been greased, start to insert the greased inner core into the casing from the connector end.
 - Continue greasing the inner core as it is being inserted into the casing. Continue greasing until the whole length of the inner core has been greased.
 - As the inner core is pushed through the outer casing, some of the grease will naturally adhere to the inner walls of the casing. To ensure adequate lubrication, it is advisable to draw out the core for approximately 2 metres from the other end and then Re-grease and re-feed it back into the casing.
 - It is essential that during the re-greasing operation to keep all dirt and grit away from component parts.
 - After maintenance has been carried out on the flexible shaft ensure that all parts are reassembled correctly.
5. It is recommended that every 12 months or more frequently, depending on the usage conditions, an inspection should be carried out by an authorised dealer.



Service & Maintenance

Poker Head Maintenance.

6. Dissassembly.

- Clamp the poker in a vice. Unscrew the cap end and the end shank (This has a left hand thread).
- Unscrew the flexible shaft from the vibrator shaft (This has a right hand thread).
- Use a screwdriver at the end of the vibrator shaft.
- Remove the vibrator shaft from the front of the tube. If necessary remove bearing, retaining ring and sealing sleeve.

7. Assembly.

- Replace the 'O' rings, sealing sleeves and bearings whenever the poker has been dismantled. Clean and grease the flexible shaft as described in the above procedure. Reassemble in reverse order.



CAUTION

The vibrator components, i.e. tube, vibrator shaft and end cap, should not be lubricated and must be kept scrupulously clean and dry or the vibrator will fail to work.



Warranty

Your new Altrad Belle 'BGA' Flexible Shaft Poker is warranted to the original purchaser for a period of one-year (12 months) from the original date of purchase. The Altrad Belle warranty is against defects in design, materials and workmanship.

The following are not covered under the Altrad Belle warranty:

1. Damage caused by abuse, misuse, dropping or other similar damage caused by or as a result of failure to follow assembly, operation or user maintenance instructions.
2. Alterations, additions or repairs carried out by persons other than Altrad Belle or their recognised agents.
3. Transportation or shipment costs to and from Altrad Belle or their recognised agents, for repair or assessment against a warranty claim, on any machine.
4. Materials and/or labour costs to renew, repair or replace components due to fair wear and tear.

The following components are not covered by warranty.

- Drivebet(s)
- Engine air filter
- Engine spark plug

Altrad Belle and/or their recognised agents, directors, employees or insurers will not be held liable for consequential or other damages, losses or expenses in connection with or by reason of or the inability to use the machine for any purpose.

Warranty Claims

All warranty claims should firstly be directed to Altrad Belle, either by telephone, by Fax, by Email, or in writing.

For warranty claims:

Tel : +44 (0)1298 84606,

Fax : +44 (0)1298 84073,

Email : warranty.dept@altrad-belle.com

or Write to:

Altrad Belle Warranty Department, Sheen, Nr. Buxton, Derbyshire, SK17 0EU, England

Warranty Registration:

In the bid for ALTRAD Belle to become greener and more eco friendly, we have now introduced online Warranty registration. To access the registration page of our website, please use the following address:-

http://www.bellegroup.com/index.php?p=warranty_registration



Alternatively, please scan the adjacent QR Code (Quick Response Code) using your smartphone to access the registration page.



Replacement Parts

When maintaining this product only the manufacturers original, genuine replacement parts may be used.

The user will lose any possible claims if replacement parts used are other than the makers original replacement parts.

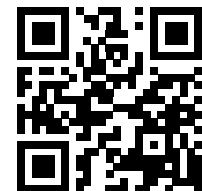
Replacement parts for this product can be ordered online 24 hours a day, 7 days a week at www.Altrad-Belle247.com

For more information regarding the availability of replacement parts for this product, please contact Altrad Belle using the following contact details:-

Tel:- +44 (0)1298 84606

Fax:- +44 (0)1298 84073

Email:- sales@altrad-belle.com



Alternatively, please scan the adjacent QR Code (Quick Response Code) using your smartphone to access the Altrad Belle online parts portal.

Comment Utiliser Ce Manuel

F

Ce manuel est rédigé pour vous aider à vous servir et à entretenir la 'BGA' en toute sécurité. Il est destiné aux concessionnaires et aux opérateurs de la 'BGA'.

Avant-propos

La section '**Description de l'appareil**' vous permettra de vous familiariser avec l'agencement et les commandes de l'appareil.

La section '**Environnement**' contient des instructions sur les méthodes de recyclage et d'élimination des appareils dans le respect de l'environnement.

La section '**Réglés De Sécurité Particulières**' expliquent la manière dont il faut utiliser l'appareil pour assurer votre sécurité et celle des membres du public, en général.

La section '**Dépistage des anomalies**' vous donne des conseils en cas de problèmes concernant votre appareil.

La section '**Entretien et révision**' vous donne des conseils sur l'entretien général et les révisions de votre appareil.

La section '**Garantie**' donne des renseignements sur la couverture sous garantie et la méthode à suivre pour les réclamations sous garantie.

Renseignements concernant les notations utilisées dans ce manuel.

Dans ce manuel, il faut prêter une attention toute particulière au texte signalé comme suit :



AVERTIR

Ce produit peut présenter des risques. Si les méthodes indiquées ne sont pas rigoureusement respectées, l'appareil ou l'opérateur risque de subir des dommages / blessures.



AVERTISSEMENT

Il peut y avoir un danger mortel pour l'opérateur.

AVERTISSEMENT

F



AVERTISSEMENT

Avant d'utiliser ou d'effectuer toute intervention d'entretien dans cette machine, il est IMPERATIF de LIRE et d'ASSIMILER le contenu de ce manuel.

SAVOIR utiliser les commandes de cet appareil et procéder à son entretien en toute sécurité.

(PS : Assurez-vous de savoir arrêter la machine avant de la démarrer au cas où vous auriez des problèmes).

TOUJOURS utiliser les éléments nécessaires à votre protection lors de l'utilisation de la machine.

Pour **TOUTES QUESTIONS** relatives à l'entretien et l'utilisation en toute sécurité de cet appareil, **DEMANDER CONSEIL A VOTRE DIRECTION OU CONTACTER Altrad Belle** :+44(0) 1298 84606

Sommaire

F

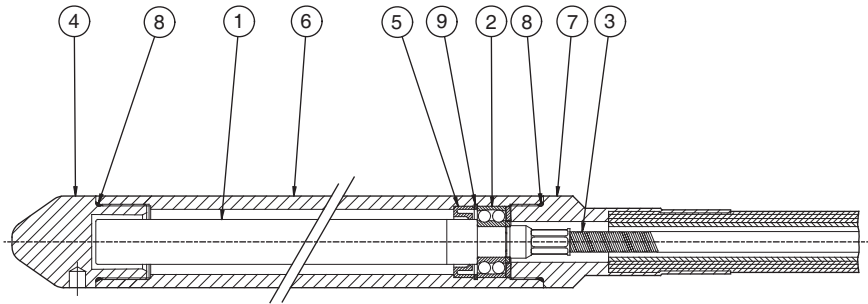
Comment Utiliser Ce Manuel	13
Avertissement.....	13
Description De L'Appareil.....	14
Environnement	14
Caractéristiques Techniques	14
Réglés De Sécurité Particulières	15
Contrôles Préalables Au Démarrage.....	15
Fonctionnement.....	15
Entreposage	16
Transport	16
Dépistage Des Anomalies	16
Entretien Et Révision.....	16 - 17
Garantie.....	17
Pièces de Rechange	17
Déclaration CE de conformité.....	4

Altrad Belle a adopté une politique de développement permanent de ses produits et se réserve le droit de modifier les manuels sans préavis.

F

Description de l'appareil

La gamme BGA de pervibrateurs à arbre flexible comprend des pervibrateurs haute fréquence conçus pour travailler le béton. Ils comportent une sortie haute vibration et des frais d'entretien et de maintenance réduits. Chaque pervibrateur est conçu selon le principe du pendule: faible vitesse de rotation de l'arbre flexible et haute fréquence dans le tube pervibrateur. Cela garantit une capacité maximale et une usure minimale. La gamme BGA de pervibrateurs à arbre flexible est adaptée à tous les types de chantiers utilisant des unités de commande électriques, essence ou diesel. Ils sont fournis avec un arbre flexible de 5 mètres de long.



1. Pendule
2. Roulement à bille à auto-alignement
3. Arbre flexible
4. Chapeau avant
5. Joint d'étanchéité à l'huile
6. Gaine
7. Chapeau d'extrémité
8. Joint toriques
9. Bague de retenue

F

Environnement

Elimination en toute sécurité.



Instructions pour le respect de l'environnement. Cet appareil contient des matériaux recyclables. Pour vous débarrasser de l'appareil, prière d'emmener l'appareil et les accessoires dans une décharge de recyclage agréé.

Composant	Matériau
Accouplement	Acier
Tête de pervibrateur	Acier
Intérieur de flexible	Acier
Gaine de flexible	Composé polymère / Acier
Autres pièces	Acier et aluminium
Joints d'étanchéité / Joints toriques	Caoutchouc / Composé polymère
Tuyau	Caoutchouc

F

Règles De Sécurité Particulières

Pour votre protection personnelle et pour la sécurité des personnes qui se trouvent à proximité, prière de lire et de bien assimiler les consignes de sécurité suivante. Il incombe à l'opérateur de s'assurer qu'il a bien assimilé la manière d'utiliser cet équipement en toute sécurité. En cas de doute sur l'utilisation correcte en toute sécurité de le 'BGA', prière de consulter votre responsable ou Altrad Belle.



AVERTIR

Un entretien mal fait ou une utilisation incorrecte risque d'être dangereux(se). Lisez et assimilez les consignes de sécurité et les conseils d'utilisation avant d'effectuer des opérations d'entretien, de service ou des réparations.

- Firstly read the instruction of the power unit, to which you are going to connect the vibrating pokers.
- Balisez la zone de travail et éloignez les membres du public et tout le personnel non autorisé à une distance sûre.
- Il est impératif que l'opérateur porte un équipement de protection individuelle à chaque fois qu'il utilise cet appareil
- Toujours désactiver et débrancher le groupe de commande avant de le transporter, de le déplacer sur le chantier ou de l'entretenir.
- Ne jamais enlever ou altérer les joints d'étanchéité ou les couvercles, ils sont là pour votre protection. Toujours vérifier l'état et la sécurité des couvercles; si un couvercle est endommagé ou manquant, NE PAS UTILISER LE PERVIBRATEUR tant que le couvercle n'a pas été remplacé ou réparé.
- Lorsque l'on laisse le pervibrateur fonctionner hors du béton, la tête du pervibrateur devient extrêmement chaude. Il faut faire très attention lorsque l'on touche la tête du pervibrateur. Il ne faut jamais laisser le pervibrateur en marche lorsqu'il est hors du béton, au risque d'endommager les parties internes.
- Ne pas utiliser la machine en cas de maladie, de fatigue ou sous l'influence de l'alcool ou de drogues.

Vibrations

Une partie des vibrations provoquées par l'utilisation de l'appareil est transmise par le guidon aux mains de l'opérateur. Il peut être nécessaire de limiter le temps d'exposition opérationnel.

EPI (Equipeement de protection individuelle).

Lors de l'utilisation de cet appareil, il est impératif de porter un EPI approprié (ex. lunettes de protection, gants de protection, casque antibruit et chaussures à embout d'acier). Toujours protéger la peau de tout contact avec le béton.

Caractéristiques Techniques

F

Modèle	BGA 25	BGA 35	BGA 45	BGA 55	BGA 65	BGA 68
Tube - Longueur, mm	-	330	375	390	420	410
Tube - Diamètre, mm	25	35	45	55	65	68
Arbre Flexible - Longueur, m	5.0	5.0	5.0	5.0	5.0	5.0
Poids, Kg	9.5	11.5	16	17	25	21
Frequéce, Hz	187	187	187	187	187	187
Amplitude, mm	0.25	0.25	0.25	0.25	1.0	0.7

Contrôles Préalables Au Démarrage

F

INSPECTION PRÉLIMINAIRE

L'inspection préliminaire décrite ci-dessous doit être effectuée avant le début de chaque cycle de travail ou toutes les quatre heures d'utilisation, quel que soit le premier. Consulter la section Entretien pour des instructions détaillées. En cas d'anomalie, la machine ne doit pas être utilisée tant que l'anomalie n'a pas été rectifiée.

1. Inspecter soigneusement le pervibrateur à la recherche d'éventuels dommages. Vérifier que les composants sont présents et bien fixés.
2. Inspecter l'arbre flexible à la recherche d'éventuels dommages.



AVERTIR

La vitesse maximale du pervibrateur à arbre flexible est de 2800 tours/minute. L'utilisation du pervibrateur à une vitesse supérieure risque d'endommager l'appareil et annule la garantie Altrad Belle.

Fonctionnement

F

PROCEDURE DE BRANCHEMENT

Avant de raccorder le pervibrateur au groupe d'alimentation, il faut étendre le pervibrateur sur toute sa longueur.



AVERTIR

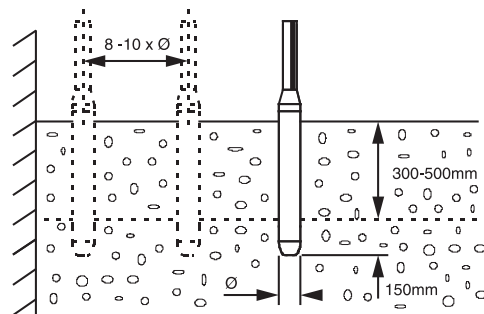
NE PAS raccorder le pervibrateur au groupe d'alimentation pendant que celui-ci est en fonctionnement. Cela risque de casser net le noyau intérieur et de provoquer d'importants dommages internes.

1. Pour fixer le flexible d'entraînement au groupe d'alimentation, soulever la poignée du plongeur situé sur la bride et introduire le connecteur d'extrémité du flexible d'entraînement.
2. Lorsque l'on relâche la poignée, le piston plongeur doit se positionner dans le connecteur d'extrémité.
3. Si le piston plongeur ne se positionne pas correctement, faire tourner le vilebrequin du moteur avec le câble de démarrage ou la poignée et enfoncer l'extrémité.



RECOMMANDATIONS D'UTILISATION DU VIBREUR INTERNE

1. Choisir le vibreur adéquat en fonction des dimensions du coffrage, de l'espace libre entre les armatures, de la consistance du ciment. Se reporter au point "Comment choisir le vibreur ?"
2. Il est recommandé de toujours avoir un vibreur en réserve.
3. Couler le béton en le répartissant de façon égale dans le moule en couches de 300-500 mm. N'utiliser pas l'aiguille pour répartir le béton. La gaine ne doit pas être tordue ou courbée de façon trop abrupte car cela provoque une usure prématurée.
4. Vibrer systématiquement le béton. Faire des plongées verticales de 300-500 mm à intervalles de 8 à 10 fois le diamètre de l'aiguille. Enfoncez l'aiguille de 15 cm dans la couche de béton la plus profonde pour obtenir la meilleure fusion possible entre les deux couches.
Le béton est globalement vibré lorsque la surface autour de l'aiguille est brillante et qu'aucune grosse bulle d'air ne remonte plus à la surface. Cette opération demande environ 10 à 20 secondes à chaque plongée de l'aiguille dans le béton.
5. Retirer l'aiguille doucement de façon à permettre au béton de remplir le vide laissé par l'aiguille.
6. Il ne faudra pas faire une pression du vibreur trop importante contre les armatures ou les coffrages. Maintenir une distance de 70 mm minimum entre le vibreur et les murs.
7. Faire sortir l'aiguille doucement du ciment avec des mouvements de haut vers le bas pour que le ciment bouche le trou laissé par le tube. La vitesse d'extraction du vibreur doit être de 80 mm par seconde. Lorsqu'il est pratiquement sorti, le retirer rapidement pour éviter une agitation de la superficie. *tor is almost out, extract quickly to avoid shaking the surface.*



AVERTIR

Ne pas laisser trop longtemps le vibreur hors du ciment. Lors des pauses, arrêter le vibreur. Ne pas utiliser le vibreur pour pousser le ciment horizontalement.

F

Entreposage

Toujours entreposer l'ensemble dans un endroit à l'abri des intempéries.

F

Transport

S'assurer que la marchandise ne va pas subir des chocs ou un mauvais traitement.

F

Dépistage Des Anomalies

Problème	Cause	Action
Le vibreur ne vibre	Noyau cassé	Remplacer en vérifiant qu'il est graissé correctement
	Joint d'huile cassé	Remplacer
	Palier endommagé / cassé	Remplacer
	Pendule endommagé / cassé	Remplacer

F

Entretien Et Révision

La gamme 'BGA' tube pervibrateur a arbre flexible Altrad Belle est conçue pour donner de nombreuses années de services sans problèmes. Il est recommandé de s'adresser à un concessionnaire agréé Altrad Belle pour effectuer toutes les opérations d'entretien importantes et toutes les réparations éventuelles. Il faut toujours utiliser des pièces d'origine Altrad Belle. L'utilisation de pièces de marque autre que la marque Altrad Belle risque d'annuler votre garantie.

Entretien périodique.

1. Avant de procéder à toute intervention d'entretien sur la transmission ou sur le pervibrateur, toujours s'assurer que le pervibrateur flexible est débranché du moteur /groupe d'alimentation.
2. Il est recommandé de réviser le pervibrateur à arbre flexible à intervalles réguliers pour garantir un fonctionnement sans problèmes.

Entretien de l'arbre

3. Pour un entretien correct de l'arbre, s'assurer que la procédure suivante est effectuée. Le flexible d'entraînement doit être démonté et rechargé avec de la graisse toutes les 500 heures de travail.



AVERTIR

NE PAS procéder au graissage de l'arbre flexible sur le chantier. Cette opération doit toujours être effectuée dans un environnement contrôlé en atelier.

4. Il est impératif d'utiliser le grade d'huile approprié. En cas de difficulté pour se procurer ce grade, il est possible d'utiliser un grade équivalent à condition qu'il ait un point de fusion élevé.
 - Dégager la gaine extérieure pour exposer le flexible intérieur.
 - Nettoyer soigneusement le noyau intérieur en acier et les raccords du noyau avec un solvant à base de graisse.
 - Nettoyer les extrémités exposées de la gaine extérieure avec un chiffon uniquement.
 - Après avoir nettoyé soigneusement toute la longueur du flexible d'entraînement, inspecter le noyau intérieur à la recherche d'usure excessive due au frottement entre le noyau et le renforcement en spirale de la gaine extérieure. Rechercher également d'éventuels fils de la couche extérieure endommagés et cassés. En cas de coude dans la gaine extérieure, il est conseillé de monter une pièce de rechange dans la mesure où ce coude risque d'endommager le noyau intérieur.
 - Regraisser le noyau intérieur avec de la graisse Castrol BM2. Le moyen le plus facile pour regraisser l'arbre est de prendre un peu de graisse dans la paume de la main et de faire glisser la main fermée sur toute la longueur de l'arbre, en laissant une fine couche de graisse sur toute sa longueur. La quantité de graisse recommandée est de 25g/m
 - Ne pas graisser l'arbre excessivement car la graisse pourrait pénétrer dans la tête du pervibrateur.
 - Après le graissage des premiers 300-450 mm, commencer à introduire le noyau intérieur graissé dans la gaine à partir du côté connecteur.
 - Pendant l'opération de regraissage, il est impératif d'éviter tout contact de saletés et d'impuretés avec les composants.
 - Après l'intervention d'entretien sur l'arbre flexible, vérifier que toutes les pièces sont remontées correctement.
5. Il est recommandé d'effectuer une inspection tous les 12 mois ou plus fréquemment, selon les conditions d'utilisation. Cette inspection doit être effectuée par un concessionnaire autorisé.

Entretien de la tête de pervibrateur

6. Démontage.

- Serrer le pervibrateur dans un étau. Dévisser le chapeau d'extrémité et la tige d'extrémité (elle est filetée à gauche).
- Dévisser l'arbre flexible de l'arbre du pervibrateur (il est fileté à droite).
- Utiliser un tournevis à l'extrémité de l'arbre du pervibrateur.
- Déposer l'arbre du pervibrateur par l'avant du tube. Si nécessaire, déposer le palier, la bague de retenue et le manchon d'étanchéité.

7. Montage.

- Remplacer les joints toriques, les manchons d'étanchéité et les paliers chaque fois que le pervibrateur a été démonté. Nettoyer et graisser l'arbre flexible selon les instructions de la procédure ci-dessus. Remonter dans l'ordre inverse.



AVERTIR

Les composants du pervibrateur, à savoir le tube, l'arbre du pervibrateur et le chapeau d'extrémité, doivent être graissés et maintenus parfaitement propres et secs, sinon le pervibrateur ne fonctionnera pas correctement.

Garantie



La 'BGA' tube pervibrateur a arbre flexible de Altrad Belle est garantie à l'acquéreur d'origine un an (12 mois) à partir de la date originale de l'achat. La garantie Altrad Belle s'applique à tous défauts de matériaux ou à un vice de conception ou de fabrication.

La garantie Altrad Belle ne couvre pas ce qui suit:

1. Dégâts causés par un usage abusif, négligent, une chute ou tous autres dégâts similaires causés par le non-respect des instructions concernant l'assemblage, l'utilisation ou les opérations d'entretien à effectuer par l'utilisateur, ou résultant de celle-ci.
2. Toutes modifications, additions ou réparations effectuées par des personnes autres que les responsables de Altrad Belle ou ses agents agréés.
3. Les frais de transport ou d'expédition pour retourner l'appareil à Altrad Belle, ou ses agents agréés, et le renvoyer, en vue de le faire réparer ou évaluer après revendication sous garantie.
4. Les coûts des matériaux et/ou de la main-d'œuvre requis pour remplacer, réparer ou renouveler les composants en raison d'une usure raisonnable.

Sont exclus de la garantie les composants suivants :

- Courroie(s) d'entraînement
- Filtre à air de moteur
- Bougie de moteur

Altrad Belle et/ou ses agents agréés, directeurs, employés ou assureurs ne sont pas tenus responsables de tous dégâts consécutifs ou autres, pertes ou dépenses encourus en relation avec l'utilisation de l'appareil, ou l'incapacité d'utiliser l'appareil dans un but quel qu'il soit.

Réclamations sous garantie

Il faut tout d'abord adresser toutes réclamations sous garantie à Altrad Belle par téléphone, fax, e-mail ou par courrier.

Pour les revendications sous garantie :

Tel: +44 (0)1298 84606

Fax: +44 (0)1298 84722

Email : warranty.dept@altrad-belle.com

Prière d'écrire à:-

Altrad Belle Warranty Department, Sheen, Nr. Buxton, Derbyshire, SK17 0EU Angleterre

Service d'enregistrement de garantie

Dans notre démarche pour devenir plus vert et plus respectueux de l'environnement, Altrad Belle a introduit un service d'enregistrement de garantie en ligne. Pour accéder à la page d'inscription sur notre site internet, veuillez utiliser l'adresse suivante:

http://www.bellegroup.com/index.php?p=warranty_registration

Sinon vous pouvez également scanner à l'aide de votre smartphone le code QR adjacent pour accéder à la page d'inscription.



Pièces de Rechange



Lors de l'entretien de ce produit, seules les pièces de rechange d'origine du fabricant peuvent être utilisées.

L'utilisateur perdra toute réclamation éventuelle si les pièces de rechange utilisées sont autres que les pièces de rechange d'origine du fabricant.

Vous trouverez un PDF des listes de pièces pour ce produit dans la section «produit» de notre site web www.Altrad-Belle.com
Des informations sur l'approvisionnement en pièces de rechange auprès de votre revendeur local peuvent être trouvées dans la section «contactez-nous»

El objeto de este manual es ayudarle a operar y a reparar la 'BGA' con la mayor seguridad posible. Este manual está destinado para el uso de comerciantes y operadores de 'BGA'.

Prólogo

La sección '**Descripción de la máquina**' le permitirá familiarizarse con la disposición y los comandos de la máquina.

La sección dedicada al '**Medioambiente**' comprende instrucciones sobre el reciclado de aparatos descartados, con el fin de proteger el entorno.

La sección de '**Reglas De Seguridad Especificas**' explican como debe usarse la máquina para asegurar tanto la seguridad del operador como la del público en general.

La sección de '**Resolución de Problemas**' le ayudará a resolver los problemas que surjan con la máquina.

La sección de '**Servicio Y Mantenimiento**' le proporcionará ayuda en el mantenimiento general y en los trabajos de revisión de la máquina.

La sección de '**Garantía**' da detalles del tipo de garantía y le indica el procedimiento para presentar reclamaciones.

Directivas relativas a las notas.

El texto de este manual al que se debe prestar atención especial está indicado de la siguiente manera:



ATENCIÓN

El producto puede representar un riesgo. El incumplimiento de los procedimientos indicados podrá dañar la máquina o lesionar al operador.



AVISO

La vida del operador corre riesgo.

AVISO



AVISO

Antes de operar o de realizar ningún trabajo de mantenimiento en esta máquina **SE DEBE LEER y ESTUDIAR** este manual.

APRENDA a emplear con seguridad los comandos de esta unidad y lo que se debe hacer para lograr un mantenimiento seguro.

(NOTA: Aprenda bien a desconectar la máquina antes de conectarla, en caso de que surjan dificultades.)

Lleve o use **SIEMPRE** los equipos de protección personal necesarios.

En caso de **DUDAS** sobre el uso o mantenimiento seguros de la máquina, **CONSULTE CON SU SUPERVISOR O LLAME AL Altrad Belle (+44 (0)1298 84606)**

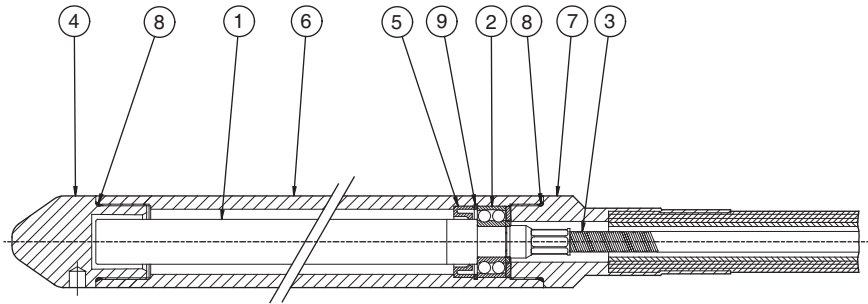
Indice

Uso De Este Manual	18
Aviso	18
Descripción De La Máquina	19
Medioambiente	19
Datos Técnicos	19
Reglas De Seguridad Especifica	20
Chequeos Antes Del Arranque	20
Operación	20
Almacenamiento	21
Transporte	21
Resolución De Problemas	21
Servicio Y Mantenimiento	21 - 22
Garantía	22
Piezas de Repuesto	22
Declaración CE de Conformidad	5

Descripción De La Máquina

E

La gama BGA de Vibradores de Varilla Flexible comprende vibradores de alta frecuencia para trabajar el hormigón. Proporcionan altas vibraciones con bajos costes de servicio y mantenimiento. Cada vibrador está diseñado conforme al principio pendular: baja velocidad de rotación de la varilla flexible y alta frecuencia en el tubo vibrador. Esto resulta en máxima capacidad y mínimo desgaste. La gama BGA de Vibradores de Varilla Flexible sirve para todos los solares de construcción que trabajan con unidades motrices eléctricas, de gasolina o de gasóleo. Tienen una varilla flexible de 5 metros.



1. Péndulo
2. Cojinete de bolas autoalineable
3. Varilla flexible
4. Morro
5. Obturador aceite
6. Envuelta
7. Capucha extrema
8. Junta tórica
9. Anillo de retención

Medioambiente

E

Eliminación apropiada



Instrucciones para la protección del medioambiente. La máquina contiene materiales valiosos. Lleve la máquina descartada y sus accesorios a un taller de reciclado apropiado.

Componente	Material
Acoplamiento	Acero
Cabezal vibrador	Acero
Parte interna flexible	Acero
Envuelta flexible	Compuesto polimérico / Acero
Piezas varias	Acero y aluminio
Retenes / anillos tóricos	Caucho / Compuesto polimérico
Manguera	Caucho

Reglas De Seguridad Especifica

E

Para su propia protección y la de aquellos que le rodean, lea y aprenda bien la siguiente información relativa a los aspectos de seguridad. El operador es responsable de asegurar que sabe operar bien, y con toda seguridad, este equipo. Si tiene dudas sobre el uso correcto y la seguridad de la 'BGA', consulte con su supervisor o llame a Altrad Belle.



ATENCIÓN

El mantenimiento o uso incorrectos pueden dar lugar a peligro. Lea y aprenda bien esta sección antes de realizar ningún trabajo de mantenimiento, revisión o reparación.

- En primer lugar lea atentamente las instrucciones del motor 'BGA' donde van conectadas las transmisiones.
- Acordone el área de trabajo y mantenga a distancia apropiada tanto al público como al personal no autorizado.
- O operador deberá usar o Equipamento de Segurança Pessoal (PPE) sempre que este esteja recomendado (consultar capítulo Saúde e Segurança).
- Antes de transportar el vibrador a otro lugar, trasladarlo a otra parte de la obra o efectuar el mantenimiento, APÁGUELO y desconecte la unidad motriz.
- Jamás retire o modifique los retenes o tapas colocados, ya que están ahí para protegerle. Compruebe siempre el estado y sujeción de las tapas. Si hay alguna dañada o quitada, NO MANEJE EL VIBRADOR hasta que haya sido colocada o reparada.
- Si se deja funcionando el vibrador sin hormigón, se recalientará el cabezal del vibrador. Hay que tener cuidado al tocar el cabezal del vibrador. No debe dejarse funcionando el vibrador fuera del hormigón, ya que se dañarán las partes internas.
- No maneje el vibrador si está enfermo, muy cansado o bajo la influencia del alcohol o drogas.

Vibraciones

Parte de la vibración originada por el funcionamiento de la máquina se transmite a través del manillar hasta las manos del operario. Podrá tener que limitarse el tiempo de exposición en el trabajo.

Equipos de protección personal (PPE)

Se deben llevar equipos adecuados de protección personal, por ejemplo, gafas de seguridad, guantes, protectores del oído, caretas antipolvo y calzado con punteras de acero. Protéjase siempre la piel contra el contacto con el hormigón.

Model	BGA 25	BGA 35	BGA 45	BGA 55	BGA 65	BGA 68
Tubo - Longitud, mm	-	330	375	390	420	410
Tubo - Diametro, mm	25	35	45	55	65	68
Varilla Flexible - Longitud, m	5.0	5.0	5.0	5.0	5.0	5.0
Peso, kg	9.5	11.5	16	17	25	21
Frecuencia, Hz	187	187	187	187	187	187
Amplitud, mm	0.25	0.25	0.25	0.25	1.0	0.7

Chequeos Antes Del Arranque

Chequeos antes del arranque

Antes del comienzo de cada sesión de trabajo o después de cada cuatro horas de manejo, lo que antes ocurra, debe efectuarse la siguiente inspección preliminar. Sírvase consultar la sección de servicio para instrucciones detalladas. Si se descubre algún defecto, no debe utilizarse el vibrador hasta que dicho defecto haya sido subsanado.

1. Examine minuciosamente el vibrador para ver si hay señales de daños. Compruebe que los componentes están colocados y bien sujetos.
2. Compruebe la varilla flexible para ver si hay señales de daños.



ATENCIÓN

El producto puede representar un riesgo. El incumplimiento de los procedimientos indicados podrá dañar la máquina o lesionar al operador.

Operación

PROCEDIMIENTO DE CONEXIÓN

Antes de conectar el vibrador a la unidad motriz debe dejarse totalmente extendido en el suelo.



ATENCIÓN

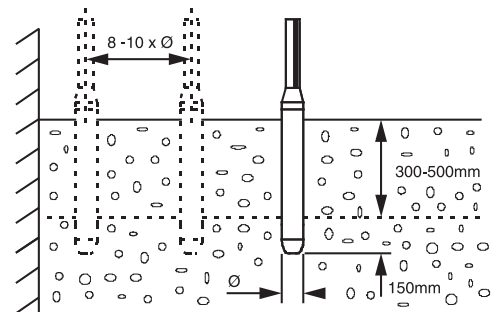
NO conecte el vibrador a la unidad motriz con esta última en marcha. Esto hará que se parta el núcleo interno y causará graves daños internos.

1. Para acoplar la varilla flexible a la unidad motriz, alce el pomo del contacto de presión en la brida e inserte el conector extremo de la varilla flexible.
2. Al soltar el pomo, el contacto de presión encajará en el conector extremo.
3. Si no encaja el contacto de presión, gire el cigüeñal con la manilla o cordón de arranque y empuje el conector extremo para meterlo.



RECOMENDACIONES DEL USO DEL VIBRADOR INTERNO

1. Seleccionar el tipo de vibrador adecuado según las dimensiones del encofrado, el espacio libre entre las armaduras, la consistencia del hormigón. Consultar el punto como seleccionar el vibrador.
2. Se recomienda siempre tener un vibrador de reserva.
3. Vierta el hormigón uniformemente en el encofrado en capas de 300-500 mm. No utilice el vibrador para extender el hormigón. La manguera no debe apretarse al enroscarla o doblarla ya que incrementaría su desgaste.
4. Vibre metódicamente. Haga inserciones verticales de 300-500 mm. a intervalos de 8-10 veces el diámetro del tubo. Empuje el vibrador 150 mm aproximadamente en la primera capa de hormigón para obtener la mejor unión posible entre las dos capas.
El hormigón está vibrado cuando la superficie alrededor del tubo quede brillante y no suban burbujas de aire. El tiempo de vibración es de 10-20 seg.
5. Retire el vibrador lentamente para que el hormigón pueda circular hacia el vacío que deja la aguja.
6. No se deberá presionar el vibrador contra armaduras o encofrados. Mantener una distancia de 70 mm como mínimo de las paredes.
7. La aguja se sacará despacio del hormigón y con movimientos hacia arriba y hacia abajo para dar tiempo que el hormigón rellene el agujero dejado por el tubo. La velocidad de extracción del vibrador debe ser aproximadamente 80 mm por segundo.



ATENCIÓN

No mantener durante largos periodos el vibrador fuera del hormigón, si no se continúa vibrando pararlo. No usar el vibrador para arrastrar el hormigón horizontalmente.

Almacenamiento

E

Almacenar siempre la aguja en zonas limpias, secas y protegidas, cuando no sea usada por tiempo prolongado.

Transporte

E

En vehículos de transporte se deberá asegurar la aguja contra deslizamientos, vuelcos y golpes.

Resolución De Problemas

E

Problema	Causa	Remedio
No hay vibración	Núcleo roto	Cámbielo, cerciorándose de que está debidamente engrasado
	Retén de aceite roto	Cámbielo
	Cojinete dañado / roto	Cámbielo
	Péndulo dañado / roto	Cámbielo

Servicio Y Mantenimiento

E

Las máquinas de la 'BGA' de Altrad Belle están concebidas para proporcionar muchos años de funcionamiento sin ningún problema. Se recomienda que todo el mantenimiento de importancia y las reparaciones sean encargados a un agente de Altrad Belle. Se deben utilizar siempre piezas de recambio Altrad Belle genuinas, el empleo de piezas espurias podrá dar lugar a la anulación de la garantía.

Mantenimiento Periodico

1. Antes de efectuar cualquier trabajo de mantenimiento en la transmisión o vibrador, cerciórese de que desconecta el vibrador flexible del motor / unidad motriz.
2. Se sugiere efectuar revisiones del vibrador de varilla flexible a intervalos regulares para asegurar su buen funcionamiento.

Mantenimiento de la varilla flexible

3. Para el buen mantenimiento de la varilla flexible cerciórese de que sigue el procedimiento a continuación. La varilla flexible debe desarmarse y volver a empacarse con grasa cada 500 horas de trabajo.



ATENCIÓN

NO trate de lubricar la varilla flexible en las condiciones de la obra. Este trabajo debe efectuarse en las condiciones controladas de un taller.

4. Es muy importante utilizar una grasa de la viscosidad correcta. Si se experimentan dificultades para obtener esta clase de grasa, podrá utilizarse una grasa equivalente siempre y cuando tenga una alta temperatura de fusión.
 - Tire de la envuelta externa para dejar expuesta la varilla flexible interna.
 - Limpie bien con un desengrasante el núcleo interior de acero y los acoplamientos del núcleo.
 - Limpie los extremos expuestos de la envuelta externa con un trapo solamente.
 - Después de limpiar bien toda la longitud de la varilla flexible, inspeccione el núcleo interno para ver si tiene excesivo desgaste debido a roces entre el núcleo y el refuerzo espiral de la envuelta externa. Compruebe también si hay alambres dañados o rotos en la capa externa. Si está doblada la envuelta externa es aconsejable sustituirla, ya que esto podrá dañar el núcleo interno.
 - Engrase nuevamente el núcleo interno con grasa Castrol BM2. La forma más fácil de engrasar la varilla es poniendo grasa en la palma de la mano y deslizando la mano cerrada con el lubricante sobre la varilla, dejando una ligera capa de grasa en toda la longitud de la varilla. La cantidad recomendada de grasa es 25 g/m
 - No lubrique excesivamente la varilla, ya que la grasa podría penetrar en el cabezal del vibrador.
 - Después de engrasar los primeros 300-450 mm, comience a insertar el núcleo interno engrasado en la envuelta desde el extremo del conector.
 - Continúe engrasando el núcleo interno al irlo insertando en la envuelta. Continúe engrasando hasta lubricar toda la longitud del núcleo interno.
 - Al empujar el núcleo interno para introducirlo en la envuelta, parte de la grasa quedará adherida de forma natural a las paredes internas de la envuelta. Para obtener una buena lubricación es aconsejable extraer unos 2 metros de núcleo por el otro extremo, engrasarlo y volver a insertarlo en la envuelta.
 - Al efectuar este trabajo de engrase es muy importante que el polvo y suciedad no contaminen los componentes.
 - Después de efectuar el mantenimiento de la varilla flexible, cerciórese de que vuelve a armar correctamente todas las piezas.
5. Se recomienda encargar una inspección a un concesionario oficial cada 12 meses o con mayor frecuencia, dependiendo de las condiciones de trabajo.

Mantenimiento del cabezal del vibrador.**6. Desarmado.**

- Sujete el vibrador en un tornillo de banco. Desenrosque el extremo de capucha y el mango extremo (tiene una rosca a izquierdas).
- Desenrosque la varilla flexible de la varilla del vibrador (tiene una rosca a derechas).
- Utilice un destornillador en el extremo de la varilla del vibrador.
- Extraiga la varilla del vibrador, del frente del tubo. En caso necesario desmonte el cojinete, el anillo de retención y el manguito de cierre.

7. Armado.

- Siempre que desarme el vibrador, cambie todos los anillos tóricos, manguitos de cierre y cojinetes. Limpie y engrase la varilla flexible según lo mencionado en el procedimiento anterior. Invierta el orden al armar

**ATENCIÓN**

Los componentes del vibrador (tubo, varilla del vibrador y capucha extrema) no deben lubricarse y deben mantenerse absolutamente limpios y secos, ya que de lo contrario no funcionará el vibrador.

Garantía

La nueva 'BGA' lleva una garantía de un año (12 meses), para el comprador original, a partir de la fecha original de compra. La garantía de Altrad Belle le ampara contra defectos de diseño, materiales y mano de obra.

La garantía de Altrad Belle no cubre lo siguiente:

1. Daños causados por el abuso, mal uso, caída u otros daños similares causados por o como resultado del incumplimiento de las instrucciones de ensamblaje, operación o mantenimiento por parte del usuario.
2. Las alteraciones, adiciones o reparaciones efectuadas por personas ajenas a Altrad Belle o a sus agentes reconocidos.
3. Los costos de transporte o embarque a y de Altrad Belle o sus agentes reconocidos, para la reparación o evaluación de una máquina al amparo de una reclamación contra la garantía.
4. Los costos de materiales y mano de obra relacionados con la renovación, reparación o recambio de componentes por desgaste normal.

Los siguientes componentes no están amparados por la garantía.

- Correa(s) de transmisión
- Filtro de aire del motor
- Bujía del motor

Altrad Belle y/o sus agentes reconocidos, directores, empleados o aseguradores no se responsabilizan de ningún daño consecuencial u otros, pérdidas o gastos relacionados con o debidos a la inhabilidad de usar la máquina.

Reclamaciones contra la garantía

Todas las reclamaciones presentadas al amparo de la garantía deben dirigirse primero a Altrad Belle ya sea por teléfono, fax, correo electrónico o por escrito.

Para las reclamaciones contra la garantía :

Tel: +44 (0)1298 84606

Fax: +44 (0)1298 84722

Email: warranty.dept@altrad-belle.com

Escriban a :

Altrad Belle Warranty Department, Sheen, Nr. Buxton, Derbyshire, SK17 0EU, England.

Registro de Garantía :

Con el fin de ser cada vez más ecológico, Altrad Belle permite registrar ahora las garantías via Internet. Para acceder a la página adecuada de nuestro sitio Web, deberá de utilizar la siguiente dirección:-

http://www.bellegroup.com/index.php?p=warranty_registration

Asimismo, podrá escanear el código de respuesta rápida adjunto (Quick Response Code) con su móvil lo que le permitirá acceder directamente a la página de registro.

**Piezas de Repuesto**

Al realizar el mantenimiento de este producto solo se pueden utilizar piezas de repuesto originales del fabricante.

El usuario perderá cualquier posible reclamación si las piezas de repuesto utilizadas no son las originales del fabricante.

Puede encontrar un PDF de listas de piezas para este producto en la sección "producto" de nuestro sitio web www.Altrad-Belle.com. La información sobre cómo obtener piezas de repuesto de su distribuidor local se puede encontrar en la sección "Contáctenos".

Utilização deste Manual

P

Este manual foi elaborado para o ajudar a operar e assistir em segurança a agulha vibratória BGA. Destina-se a todos os revendedores e operadores da agulha vibratória BGA.

Conteúdo

O capítulo '**Descrição da Máquina**' ajuda-o a familiarizar-se com os controlos e a configuração da máquina.

O capítulo '**Ambiente**' ensina-lhe o modo de se descartar das peças recicláveis sem agredir o ambiente.

Os capítulos de '**Segurança Específica**' explicam como utilizar a máquina de modo seguro para Si e para o público em geral.

O '**Guia de Avarias**' explica-lhe como proceder no caso de ter um problema técnico com a máquina.

A secção de '**Assistência e Manutenção**' informa-o da manutenção e assistência geral da sua máquina.

O capítulo '**Garantia**' descreve a natureza da cobertura da garantia e procedimentos de reclamação.

Directivas respeitantes a notas

Os textos, neste manual, aos quais se deve prestar especial atenção, são apresentados da seguinte forma:



CUIDADO

O produto pode constituir um risco. A máquina ou o seu operador poderão sofrer danos ou ferimentos se os procedimentos não forem escrupulosamente respeitados.



AVISO

A vida do operador pode correr perigo.

AVISO

P



AVISO

Antes de operar a máquina ou realizar qualquer operação de manutenção, DEVERÁ LER e ESTUDAR este manual.

CONHEÇA a utilizar os controlos da unidade com segurança e como deverá proceder para a manutenção de forma segura.

(Observação: Certifique-se de que sabe desligar a máquina antes de a ligar, para o caso de se encontrar em dificuldades.)

Envergue ou utilize SEMPRE o equipamento de segurança adequado para a sua protecção pessoal.

Caso TENHA QUAISQUER DÚVIDAS sobre a utilização ou manutenção segura desta unidade, PERGUNTE AO SEU SUPERVISOR OU ENTRE EM CONTACTO COM A Altrad Belle: **+44 (0)1298 84606**

Índice

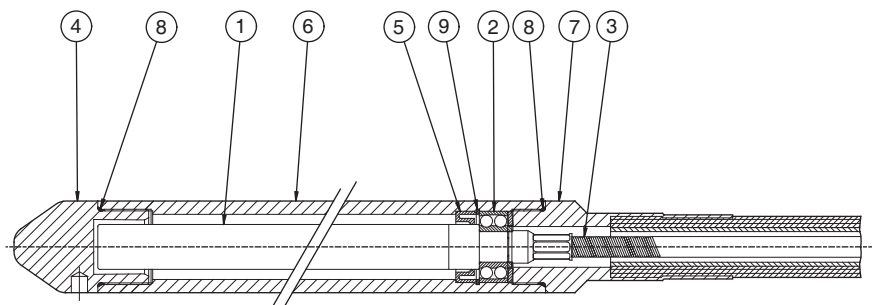
P

Utilização deste Manual	23
Aviso	23
Descrição da Máquina.....	24
Ambiente	24
Dados Técnicos.....	24
Regras de Segurança Específica.....	25
Verificações Preliminares	25
Operação.....	25
Armazenagem	26
Transporte	26
Diagnóstico de Avarias.....	26
Serviço e Manutenção.....	26 - 27
Garantia.....	27
Peças de Reposição	27
Declaração de Conformidade da CE	6

A Altrad Belle reserva o direito de mudar as especificações da máquina sem aviso prévio.

Descrição da Máquina

A gama de Vibradores de Veio Flexível BGA é constituída por vibradores de alta-frequência destinados a trabalhar o betão. Proporcionam altas vibrações com baixos custos de serviço e manutenção. Cada vibrador está concebido segundo o princípio pendular: baixa velocidade de rotação do veio flexível e alta-frequência do tubo vibrador. O resultado é capacidade máxima e desgaste mínimo. A gama de Vibradores de Veio Flexível BGA está adequada para ser utilizada em todos os estaleiros de construção que trabalham com unidades motoras eléctricas, a gasolina ou gasóleo. O veio flexível tem um comprimento de 5 metros.



1. Pêndulo
2. Rolamento auto alinhável
3. Veio Flexível
4. Ponta da agulha
5. Vedante
6. Invólucro
7. Encabadouro
8. O-ring
9. Aro de Retenção

Ambiente

Descartar em Segurança



Instruções para protecção do Ambiente
A máquina contém materiais valiosos. Levar as peças e acessórios a descartar aos centros de reciclagem autorizados.

Componente	Material
Acoplamento	Aço
Cabeça do vibrador	Aço
Parte interna flexível	Aço
Invólucro flexível	Compostos polímeros / Aço
Peças Variadas	Aço e Alumínio
Vedantes / O-rings	Borracha / Compostos polímeros
Mangueira	Borracha

Regras de Segurança Específica

Para sua segurança e dos que o rodeiam, deve ler e assegurar-se que compreendeu na totalidade a informação de segurança que se descreve neste capítulo. É da responsabilidade do operador assegurar-se que percebeu na íntegra o modo de operar este equipamento em segurança. Se tiver dúvidas de como operar correctamente a Agulha Vibratória de Veio Flexível, consultar o Distribuidor da Altrad Belle.



CUIDADO

Ler e Compreender este capítulo antes de efectuar quaisquer trabalhos de manutenção, assistência ou reparação. Uma manutenção ou utilização incorrecta da máquina pode ser muito perigoso.

- Em primeiro lugar, ler atentamente as instruções do motor onde se vai ligar a agulha vibratória.
- Delimitar a área de trabalho e manter o pessoal não autorizado e o público em geral a uma distância de segurança.
- O operador deverá usar o Equipamento de Segurança Pessoal (PPE) sempre que este esteja recomendado (consultar capítulo Saúde e Segurança).
- Certifique-se que sabe DESLIGAR (OFF) a máquina antes de a LIGAR (ON), para o caso de surgir algum imprevisto.
- Desligar SEMPRE o motor da máquina antes de a transportar, de a mover no local de trabalho ou de a assistir.
- Não retirar ou modificar qualquer das protecções que estão montadas. Estas são para sua segurança. Verificar sempre o estado e a fixação das mesmas. Se estiverem danificadas ou em falta, NÃO USAR A AGULHA VIBRATÓRIA até a protecção ter sido reparada ou reposta.
- Quando a agulha é deixada a trabalhar fora do betão, a respectiva cabeça fica extremamente quente. Cuidado deixe arrefecer a cabeça antes de lhe tocar.
- Não operar a AGULHA VIBRATÓRIA se estiver doente, se se sentir cansado ou se estiver debaixo da influência de álcool ou dro gas.

Vibração

Alguns da vibração produzida pela agulha vibratória é transmitida pelo veio flexível às mãos do operador. NÃO exceder os tempos máximos de utilização.

Equipamento de Protecção Pessoal (PPE)

Deve-se usar equipamento de protecção pessoal adequado quando se utiliza esta máquina, por ex. Óculos de Segurança, Luvas, Protectores dos Ouvidos, Máscara de Poeiras e Botas com Biqueira de Aço. Vestir roupa adequada para o trabalho que vai efectuar. Proteger a pele do contacto com o betão.

Dados Técnicos

P

Model	BGA 25	BGA 35	BGA 45	BGA 55	BGA 65	BGA 68
Comprimento do tubo, mm	-	330	375	390	420	410
Diâmetro do tubo, mm	25	35	45	55	65	68
Comprimento do Veio Flexível, m	5.0	5.0	5.0	5.0	5.0	5.0
Peso total, kg	9.5	11.5	16	17	25	21
Frequência, Hz	187	187	187	187	187	187
Amplitude, mm	0.25	0.25	0.25	0.25	1.0	0.7

Verificações Preliminares

P

INSPECÇÕES PRELIMINARES

Só se deve ligar a máquina depois realizadas as verificações que abaixo se descrevem, antes do início de cada sessão de trabalho e a cada quatro horas de utilização. Consultar o capítulo de Assistência para informação detalhada. Se se descobrir alguma avaria, a agulha vibratória não deve ser usada até essa avaria estar reparada.

1. Inspeccionar cuidadosamente na agulha vibratória se existem sinais de danos. Verificar se não falta nenhum componente e respectivas fixações.
2. Verificar que não existem sinais de danos no veio flexível.



CUIDADO

A velocidade máxima do veio flexível é de 2800 rpm. Se a agulha vibratória for usada acima desta velocidade causará danos nesta e anulará a garantia da Altrad Belle.

Operação

P

PROCEDIMENTOS PARA AS LIGAÇÕES

Antes de ligar o vibrador à unidade motora deve-se estendê-lo a todo o comprimento no solo.



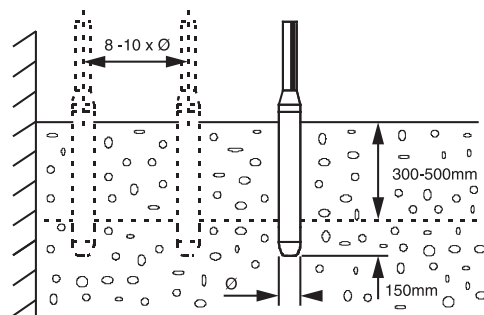
CUIDADO

NÃO ligar a agulha vibratória à unidade motora enquanto esta estiver a trabalhar. Isto fará com que se parta o núcleo interno e causará graves danos.

1. Para acoplar o veio flexível à unidade motora, levantar o botão de contacto por pressão no acoplamento e inserir a extremidade de ligação do veio flexível.
2. Ao soltar o botão, o contacto de pressão encaixará na extremidade de conexão.
3. Se o botão não encaixar, rodar o motor usando o cabo de arranque e empurrar para dentro a extremidade de conexão do veio flexível.

RECOMENDAÇÕES DE USO DO VIBRADOR DE BETÃO

1. Seleccionar o tipo de vibrador adequado segundo as dimensões do trabalho, do espaço livre da cofragem e da consistência do betão.
2. Recomenda-se ter sempre um vibrador de reserva.
3. Verter o betão uniformemente na cofragem em camadas de 300-500 mm de espessura. Não utilizar a agulha vibratória para espalhar o betão. A mangueira de operação não deve estar dobrada ou enroscada, caso contrário, aumentará o desgaste.
4. Vibrar metodicamente. Fazer inserções verticais de 300-500 mm, a intervalos de 8-10 vezes o diâmetro do tubo. Empurrar aproximadamente 150mm o vibrador na camada previamente vibrada para obter a melhor união possível entre as duas camadas. O betão estará totalmente vibrado quando a superfície à volta da agulha está brilhante e não vêm à superfície bolhas de ar. O tempo de vibração é normalmente 10-20 segundos por local.
5. Retirar o vibrador lentamente para que o betão possa preencher o espaço deixado pela agulha assim como escorrer desta.
6. Não empurrar ou forçar o vibrador contra as paredes da cofragem. Manter uma distância mínima de 70 mm das paredes.
7. Retirar sempre o vibrador na vertical como descrito na alínea 5. Não desligar a agulha enquanto esta não estiver completamente de fora do betão. A velocidade de extracção do vibrador deve ser aproximadamente 80 mm por segundo.



CUIDADO

NÃO manter, durante largos períodos, a agulha vibratória fora do betão. Se já tiver parado de vibrar o betão, desligar a agulha vibratória.

Quando a máquina não for usada por períodos longos, deve ser guardada em local seco e limpo onde não fique exposta a temperaturas agressivas.

Em veículos de transporte dever-se-á assegurar que a agulha vibratória está bem fixa de modo evitar-se danos por deslizamento ou solavancos.

Avaria	Causa	Solução
A agulha não vibra	O núcleo está quebrado	Substituir. Lubrificar adequadamente o novo.
	O vedante de óleo está danificado	Substituir.
	Rolamentos danificados / Partidos	Substituir.
	Pêndulo danificado / Partido	Substituir.

As agulhas vibratórias de veio flexível da Altrad Belle estão concebidas para proporcionar muitos anos de funcionamento sem problemas. Recomenda-se que quaisquer reparações ou manutenções importantes sejam efectuadas pelo distribuidor autorizado da Altrad Belle. Devem-se sempre utilizar peças sobresselentes genuínas Altrad Belle. A utilização de peças não originais poderá anular a garantia.

Manutenção Periódica

1. Antes de efectuar qualquer trabalho de manutenção na transmissão ou no vibrador, deve assegurar-se que o veio flexível está desligado do motor / unidade motora.
2. As revisões ao vibrador de veio flexível devem ser efectuadas a intervalos regulares para assegurar o seu bom funcionamento.

Manutenção do Veio Flexível

3. Para uma manutenção correcta do veio flexível seguir escrupulosamente os procedimentos abaixo descritos. O veio flexível deve ser desmontado e lubrificado cada 500 horas de trabalho.



CUIDADO

NÃO lubrificar o veio flexível no local de trabalho. Esta tarefa deve ser executada numa oficina para se poder ter as condições ambientais propícias.

4. É muito importante utilizar lubrificante com grau de viscosidade correcto. Na eventualidade de não encontrar este tipo de lubrificante poder-se-á utilizar um equivalente desde que este tenha uma alta temperatura de fusão.
 - Retirar o invólucro externo para expor o veio flexível interno.
 - Limpar bem com um solvente de gorduras o núcleo interno e respectivos acoplamentos
 - Limpar as extremidades expostas do invólucro externo unicamente com um trapo.
 - Depois de limpar a todo o comprimento o veio flexível, inspeccionar o núcleo interno para ver se tem desgaste excessivo devido à fricção entre o núcleo e o reforço em espiral do invólucro externo. Verificar também se a cablagem, no invólucro externo, não está danificada ou partida. Se o invólucro externo estiver empenado, dever-se-á substituí-lo imediatamente para não danificar o núcleo interno.
 - Lubrificar novamente o núcleo interno com óleo Castrol BM2. A forma mais fácil de olear o veio é pôr lubrificante na palma da mão, fechá-la sobre o veio e deslizá-la a todo o comprimento deste. Ficará uma ligeira camada de lubrificante sobre todo o corpo do veio. A quantidade recomendada de lubrificante é de 25 g/m
 - Não lubrificar em excesso o veio. O lubrificante excedente poderia penetrar na cabeça do vibrador.
 - Depois de lubrificar os primeiros 300-450mm, comece a inserir o núcleo interno já lubrificado na extremidade do invólucro.
 - Continuar a lubrificar o núcleo interno à medida que o vai inserindo no invólucro. Continuar a lubrificar até que este esteja lubrificado a todo o comprimento.
 - Ao empurrar o núcleo interno para introduzi-lo no invólucro, parte do lubrificante aderirá de forma natural às paredes internas do invólucro. Para obter uma lubrificação adequada aconselha-se a extrair aproximadamente 2 metros pela outra extremidade, lubrificar e voltar a inseri-lo no invólucro.
 - Ao efectuar este trabalho de lubrificação é muito importante evitar que o pó e a sujidade contaminem os componentes.
 - Depois de realizar a manutenção do veio flexível assegurar-se que todos os componentes são montados correctamente.
5. Recomenda-se que seja feita uma inspecção pelo distribuidor local Altrad Belle em cada 12 meses ou mais frequentemente dependendo das condições de trabalho.

Manutenção da cabeça do vibrador

6. Desmontar

- Prender o vibrador num torno de bancada. Desenroscar a cabeça e o veio da extremidade (rosca esquerda).
- Desenroscar o veio flexível do veio do vibrador (rosca direita).
- Usar uma chave de parafusos na extremidade do veio de vibração.
- Remover o veio de vibração pela parte da frente do tubo. Se necessário, desmontar o rolamento, o aro de retenção e o casquilho de vedação.

7. Montar

- Substituir os O-rings, casquilhos de vedação e rolamentos sempre que a agulha vibratória for desmontada. Limpar e lubrificar o veio flexível como descrito nos procedimentos anteriores. Montar na ordem inversa à desmontagem.



CUIDADO

Os componentes do vibrador (tubo, veio flexível e cabeça) não podem ser lubrificados e devem ser mantidos escrupulosamente limpos e secos. Caso contrário, o vibrador deixará de funcionar.

Garantia

A sua nova Agulha Vibratória “BGA” é garantida ao comprador final pelo período de um ano (12 meses) a contar da data da compra. A garantia da Altrad Belle cobre todos os defeitos de concepção, materiais e mão-de-obra.

A garantia Altrad Belle não cobre:

1. Prejuízos causados pelo abuso, má utilização, quedas ou resultantes do incumprimento das instruções de manutenção, operação e montagem.
2. Alterações, incorporações ou reparações realizadas por pessoal não qualificado pela Altrad Belle.
3. Custos de embalagem e transporte de ou para a Altrad Belle ou seus Distribuidores autorizados para reparação ou orçamento de qualquer máquina em garantia.
4. Os custos de material e/ou mão-de-obra para renovar, reparar ou substituir componentes devido a desgaste normal.

Os seguintes componentes não são abrangidos pela garantia:

- Correia(s) de transmissão
- Filtro de ar do motor
- Vela de ignição do motor

A “Altrad Belle” e/ou os seus agentes autorizados, directores, empregados ou seguradores não serão considerados responsáveis por danos, perdas ou despesas, consequentes ou outros, relativos ou devido a incapacidade de usar a máquina para qualquer finalidade.

Reclamações de Garantia.

Todas as reclamações de garantia deverão ser primeiramente dirigidas ao Altrad Belle, por telefone, fax, E-mail ou por escrito.

Reclamações de Garantia.

Tel : +44 (0)1298 84606,

Fax : +44 (0)1298 84073,

Email : warranty.dept@altrad-belle.com

Para reclamações de garantia:

Altrad Belle Departamento de Garantias, Sheen, Nr. Buxton, Derbyshire, SK17 0EU, Inglaterra

Registo de Garantia:

Seguindo o compromisso que assumiu para ser mais ecológica e respeitadora do ambiente, a ALTRAD Belle acaba de lançar o registo online da Garantia. Para aceder à página de registo do website, utilize o seguinte endereço:-

http://www.bellegroup.com/index.php?p=warranty_registration

Em alternativa, também pode digitalizar o Código QR (código de resposta rápida) com o seu smartphone para aceder à página de registo.



Peças de Reposição

Ao fazer a manutenção deste produto, apenas peças de reposição originais e genuínas do fabricante podem ser usadas.

O usuário perderá quaisquer reclamações possíveis se as peças de reposição usadas forem outras que não as peças de reposição originais do fabricante.

Um PDF com as listagens de peças para este produto pode ser encontrado na seção ‘produto’ do nosso site www.Altrad-Belle.com Informações sobre a compra de peças de reposição de seu distribuidor local podem ser encontradas na seção ‘entre em contato conosco’



Benutzung Dieser Anleitung

Diese Anleitung soll Ihnen die sichere und problemlose Benutzung und Instandhaltung der 'BGA' ermöglichen. Die Anleitung ist für Händler und Betreiber bestimmt.

Vorwort

Der Abschnitt '**Maschinenbeschreibung**' soll Sie mit dem Maschinenlayout und den einzelnen Bedienelementen vertraut machen. Im Abschnitt '**Umwelt**' finden sich Anweisungen über die Entsorgung bzw. Verwertung der Bauteile dieses Geräts nach Ablauf seiner Nutzdauer auf umweltfreundliche Art und Weise.

Die Abschnitt '**Besondere Sicherheitsvorschriften**' beschreiben die Benutzung der Maschine zur Gewährleistung Ihrer eigenen Sicherheit und von Mitgliedern der Öffentlichkeit.


Die '**Hinweise für die Fehlersuche**' helfen Ihnen, Störungsursachen der Maschine aufzufinden.


Im Abschnitt '**Servicearbeiten**' finden sich die Angaben für die allgemeine Instandhaltung und die Wartung Ihrer Maschine.

Der Abschnitt '**Gewährleistungen**' detailliert die von uns übernommenen Pflichten und beschreibt das Verfahren für die Stellung von Gewährleistungsansprüchen.

Warnhinweise:

In dieser Anleitung finden sich folgende Warnhinweise, die unbedingt beachtet werden müssen:

 **WARNEN** *Beschädigungs- bzw. Verletzungsgefahr. Bei Nichteinhaltung der vorgeschriebenen Arbeitsweise besteht die Gefahr von Maschinenschäden bzw. Personenverletzungen.*

 **WARNUNG** *Lebensgefahr für den Bediener.*



Warnung

 **WARNUNG** *Vor Benutzung der Maschine bzw. vor der Ausführung von Instandhaltungsarbeiten **MÜSSEN SIE SICH MIT DEM INHALT DIESER ANLEITUNG VERTRAUT MACHEN !***

SIE MÜSSEN MIT DER SICHEREN BEDIENUNG DER MASCHINE VERTRAUT SEIN

und wissen, welche Instandhaltungsarbeiten für Ihre ständige Sicherheit erforderlich sind. (N.B. Informieren Sie sich vor dem Einschalten der Maschine, wie Sie wieder abstellen können, damit Sie Probleme vermeiden).

Sie müssen **IMMER** die vorgeschriebene persönliche Schutzausrüstung tragen.

IBEI FRAGEN über die sichere Benutzung oder Instandhaltung dieses Geräts: FRAGEN SIE IHREN VORGESETZTEN, ODER WENDEN SIE SICH Altrad Belle: +44 (0) 1298 84606



Inhaltsverzeichnis

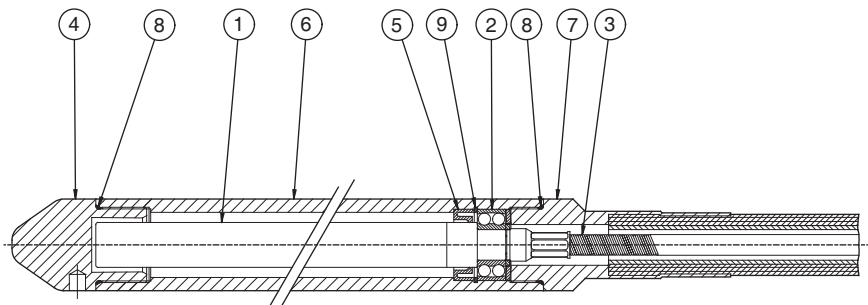
Benuzung Dieser Anleitung	28
Warning	28
Umwelt.....	29
Maschinenbeschreibung.....	29
Technische Daten.....	29
Besondere Sicherheitsvorschriften.....	30
Sicherheitskontrollen Vor Dem Start	30
Bedienung	30
Lagerung	31
Transport	31
Hinweise für die Fehlersuche.....	31
Servicearbeiten.....	31 - 32
Gewährleistungen.....	32
Ersatzteile.....	32
EG-Konformitätserklärung	7

Altrad Belle behält sich jederzeit das Recht zu Änderungen an der Maschine ohne vorherige Ankündigung vor.

Maschinenbeschreibung

D

Die Tauchrüttler der Baureihe BGA mit biegsamer Welle sind Hochfrequenzrüttler zum Betonieren. Sie zeichnen sich durch hohe Rüttelleistung und geringe Service- und Wartungskosten aus. Der Konstruktion des Rüttlers liegt das Pendelprinzip zu Grunde: niedrige Wellendrehzahl und Hochfrequenz im Rüttelrohr. Das Ergebnis sind maximale Leistung und minimaler Verschleiß. Die Tauchrüttler der Baureihe BGA mit biegsamer Welle eignen sich für alle Baustellen, wo mit elektrischen, Benzin- oder Dieselantrieben gearbeitet wird. Sie kommen mit einer 5 Meter langen flexiblen Welle.



1. Pendel
2. Pendelkugellager
3. Biegsame Welle
4. Nasenkappe
5. Öldichtung
6. Gehäuse
7. Endkappe
8. 'O' Ring
9. Haltering

Umwelt

D

Sichere Entsorgung



Hinweise für den Umweltschutz. Ihre Maschine enthält wertvolle Werkstoffe. Übergeben Sie daher die Maschine nach Ende der Nutzungsdauer zur Entsorgung einem geeigneten Recycling-Betrieb.

Bauteil	Werkstoff
Verschraubung (Kupplungstück)	Stahl
Rüttelkopfes	Stahl
Biegsame Inner	Stahl
Biegsame Gehäuse	Polymermasse / Stahl
Sonstige Teile	Aluminium und Stahl
Dichtung / O-ringe	Rubber / Polymermasse
Buis	Rubber

Besondere Sicherheitsvorschriften

D

Zur Gewährleistung Ihres persönlichen Schutzes und des Schutzes anderer machen Sie sich bitte mit den nachfolgenden Sicherheitshinweisen vertraut. Zur Gewährleistung Ihres persönlichen Schutzes und des Schutzes anderer machen Sie sich bitte mit den nachfolgenden Sicherheitshinweisen vertraut. Bei Unsicherheit über die sichere und korrekte Benutzung der 'BGA' wenden Sie sich bitte an Ihren Vorgesetzten oder direkt an Altrad Belle.



WARNEN

Falsche Bedienung oder Instandhaltung ist gefährlich. Vor der Ausführung von Instandhaltungs und Reparaturarbeiten bitte unbedingt diesen Abschnitt lesen.

- Lesen Sie bitte in den Anweisungen zum 'BGA'-Motor genau nach, wo die Übersetzungen angeschlossen werden.
- Den Arbeitsbereich abgrenzen und Mitglieder der Öffentlichkeit und unbefugtes Personal fernhalten.
- Das Bedienungspersonal muss während des Betriebes des Geräts immer eine vollständige persönliche Schutzausrüstung (PSA) im Sinne des Arbeitsrechts tragen.
- Vor dem Transport, der Verlagerung auf der Baustelle oder der Wartung muss der Antrieb AUSgeschaltet und abgetrennt werden.
- Niemals vorhandene Dichtungen oder Deckel entfernen oder verschieben; sie sollen Sie schützen. Zustand und Sitz der Deckel immer kontrollieren. Wenn sie beschädigt sind oder fehlen, ERST NACH der Erneuerung oder Reparatur WIEDER MIT DEM RÜTTLER ARBEITEN.
- Wenn der Rüttler läuft, ohne in Beton eingetaucht zu sein, wird der Kopf sehr heiß. Beim Berühren des Rüttelkopfes ist Vorsicht geboten. Der Rüttler darf niemals ohne Beton betrieben werden, da dies seine Innenteile beschädigt.
- Arbeiten Sie nicht mit der Maschine, wenn Sie krank oder müde sind oder Alkohol oder Drogen zu sich genommen haben.

Schwingungen

Während des Betriebs der Maschine werden Schwingungen bis zu einem gewissen Grad auf die Griffe und so auf die Hände des Bedieners weiterübertragen. Ggf. muss die Einwirkungszeit bei der Arbeit begrenzt werden.

Persönliche Schutzausrüstung

Bei Benutzung dieses Geräts muß die persönliche Schutzausrüstung getragen werden Schutzbrille, Handschuhe, Gehörschutz, Staubschutzmaske und Sicherheitsschuhe mit Zehenschutz. Hautkontakt mit dem Beton ist immer zu vermeiden.

Modell	BGA 25	BGA 35	BGA 45	BGA 55	BGA 65	BGA 68
Buis - Länge, mm	-	330	375	390	420	410
Buis - Durchmesser, mm	25	35	45	55	65	68
Biessame Welle - Länge, m	5.0	5.0	5.0	5.0	5.0	5.0
Gewicht, kg	9.5	11.5	16	17	25	21
Frequenz, Hz	187	187	187	187	187	187
Amplitude, mm	0.25	0.25	0.25	0.25	1.0	0.7

Sicherheitskontrollen Vor Dem Start

Die folgende Kontrolle vor der Arbeit ist immer vor Arbeitsbeginn bzw. mindestens alle vier Stunden auszuführen. Ausführliche Richtlinien sind im Wartungsteil zu finden. Wenn ein Fehler entdeckt wird, darf erst nach seiner Behebung mit der Maschine gearbeitet werden.

1. Rüttler gründlich auf Anzeichen von Schäden untersuchen. Sicherstellen, dass alle Bauteile vorhanden und sicher befestigt sind.
2. Biessame Welle auf Anzeichen von Schäden untersuchen.



WARNEN

Beschädigungs- bzw. Verletzungsgefahr. Bei Nichteinhaltung der vorgeschriebenen Arbeitsweise besteht die Gefahr von Maschinenschäden bzw. Personenverletzungen.

Bedienung

ANSCHLUSSVERFAHREN

Vor dem Anschluss an das Antriebsaggregat muss der Rüttler ganz ausgestreckt abgelegt werden.



WARNEN

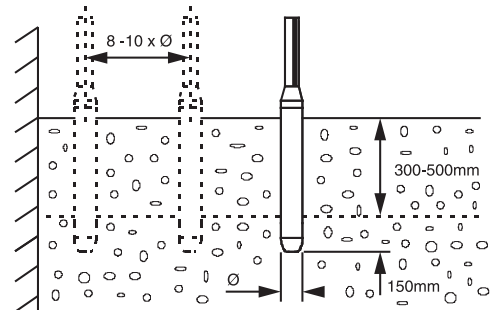
Rüttler **NICHT** an ein laufendes Antriebsaggregat anschließen. Das führt zum Abbrechen des Innenkerns und verursacht schwerwiegende Innenschäden.

1. Zur Montage des elastischen Antriebs am Antriebsaggregat den Kolbenknopf am Flansch hochziehen und das Endstück für den Antrieb einschieben.
2. Wenn der Knopf losgelassen wird, rastet der Kolben im Endstück ein.
3. Wenn der Kolben nicht einrastet, Kurbelwelle des Motors mit dem Seil oder der Andrehkurbel drehen und Endstück einschieben.



EINSATZVORAUSSETZUNGEN

1. Wählen Sie den Rüttler gemäß den Dimensionen der Schalung oder der Stahlstruktur. Lesen Sie hierzu den Punkt "Den Rüttler wählen".
2. Es wird empfohlen, immer einen Zusatzrüttler auf der Baustelle zu haben, im Falle einer Panne.
3. Den Beton gleichmäßig in die Verschalung in 300-500 mm dicken Schichten gießen. Der Innenvibrator darf nicht zum Seitwärtsschieben des Betons verwendet werden. Der Schlauch sollte nicht geknickt oder stark gebogen werden, da dadurch der Verschleiß erhöht wird.
4. Der Beton ist systematisch zu rütteln. Den Rüttler 300-500 mm tief senkrecht eintauchen. Der Abstand zwischen den Eintauchstellen sollte das 8-10fache des Flaschendurchmessers betragen. Den Rüttler ca. 150 mm in die darunterliegende Betonschicht einführen, um eine bestmögliche Verbindung mit der neuen Schicht zu erzielen.
Der Beton ist dann gut durchgerüttelt, wenn die Betonoberfläche rund um den Rüttler blank ist und keine größeren Luftblasen mehr aufsteigen. Normalerweise dauert das 10-20 Sekunden an jeder Stelle des Rüttlers.
5. Withdraw the poker slowly so that the concrete can flow into the void left by the poker.
6. Drücken Sie die Flasche nicht gegen die Schalung und die Gerüste.
7. Die Anlage muß langsam und senkrecht aus der Betonmasse herausgezogen werden, damit der Beton Zeit hat, das durch die Anlage entstandene Loch wieder zu schließen. Die Geschwindigkeit mit der die Anlage herausgezogen werden sollte, sollte etwa 80 mm / Sekunden betragen. Wenn die Flasche fast draußen ist (letzten 100 mm), muß sie ziemlich schnell rausgezogen werden, um Bewegungen auf der Oberfläche zu vermeiden.



WARNEN

Lassen Sie den laufenden Rüttler nicht länger als 3 Minuten außerhalb der Betonmasse. Der Rüttler braucht die Kühlung des Betons. Benützen Sie den Rüttler nicht, um die Masse waagrecht zu ziehen.

Lagerung

D

Wenn die Lanze für längere Zeit nicht benutzt werden soll, ist sie stets an einem sauberen, trockenen und geschützten Ort aufzubewahren.

Transport

D

In Transportfahrzeugen ist die Lanze stoß- und rutschfest zu sichern.

Hinweise für die Fehlersuche

D

Problem	Mögliche Ursache	Abhilfe
Rüttler rüttelt nicht	Kern gebrochen	Erneuern und für ausreichende Fettschmierung sorgen
	Öldichtung gebrochen	Erneuern
	Lager beschädigt / gebrochen	Erneuern
	Pendel beschädigt / gebrochen	Erneuern

Servicearbeiten

D

Das 'BGA' der Altrad Belle gewährleistet jahrelangen, problemlosen Betrieb. Es ist aber wichtig, dass in regelmäßigen Zeitabständen die in diesem Abschnitt beschriebenen Instandhaltungsarbeiten und notwendige Reparaturen ausgeführt werden. Wir empfehlen ihnen, alle wesentlichen Instandhaltungs- und Wartungsarbeiten durch eine anerkannte Altrad Belle-Kundendienststelle durchführen zu lassen. Verwenden Sie nur anerkannte Altrad Belle Ersatzteile. Die Verwendung von ungeeigneten Teilen anderer Hersteller kann unsere Gewährleistung ungültig machen.

Regelmässige Wartung

1. Vor der Wartungsarbeit am Getriebe oder Rüttler immer sicherstellen, dass der biegsame Rüttler vom Motor / Antriebsaggregat getrennt wird.
2. Zur Gewährleistung des störungsfreien Betriebs ist die Überholung des Tauchrüttlers mit biegsamer Welle in regelmäßigen Zeitabständen zu empfehlen.

Biegsame Wellenwartung

3. Zur ausreichenden Wellenwartung sicherstellen, dass folgendes getan wird. Die biegsame Antriebswelle muss alle 500 Betriebsstunden zerlegt und mit Fett nachgestopft werden.



WARNEN

***NICHT** versuchen, die biegsame Welle auf der Baustelle zu schmieren. Das muss immer in geregelten Werkstattverhältnissen getan werden.*

4. Es muss unbedingt das richtige Schmierfett benutzt werden. Wenn bei der Beschaffung dieser Sorte Schwierigkeiten auftreten, kann ein gleichwertiges Fett verwendet werden, vorausgesetzt, dass es einen hohen Schmelzpunkt hat.
 - Außengehäuse zum Freilegen des biegsamen Innenteils abziehen.
 - Stahlkern und Kernkupplungen gründlich mit einem Fettlösungsmittel reinigen.
 - Die freiliegenden Enden des Außengehäuses nur mit einem Tuch reinigen.
 - Nach der gründlichen Reinigung der ganzen biegsamen Antriebswelle den Innenkern auf unzulässigen Verschleiß durch die Reibwirkung zwischen dem Kern und der Spiralbewehrung des Außengehäuses untersuchen. Außenschicht auch auf beschädigte und gebrochene Drähte untersuchen. Bei Verbiegungen im Außengehäuse ist die Erneuerung ratsam, da diese den Innenkern beschädigen würden.
 - Innenkern mit Castrol BM2 schmieren. Das leichteste Verfahren zum Nachschmieren der Welle ist, etwas Schmierfett auf den Handteller zu streichen und dann mit der geschlossenen Hand über die ganze Länge der Welle zu fahren, wobei eine dünne Schicht Fett auf der Welle bleibt. Die empfohlene Schmierfettmenge ist 25 g/m .
 - Welle nicht überschmieren, da sonst Fett in den Rüttelkopf geraten kann.
 - Nach der Schmierung der ersten 300 bis 450 mm den mit Fett geschmierten Innenkern vom Anschlussende aus in das Gehäuse zu schieben beginnen.
 - Innenkern während des Einschubens weiter mit Fett schmieren. Weiter schmieren, bis die ganze Länge des Innenkerns mit Fett geschmiert ist.

Wartung des Rüttelkopfes

6. Zerlegen.

- Rüttler in einen Schraubstock einspannen. Endkappe und Schaft losschrauben (Linksgewinde).
- Biegsame Welle von der Rüttlerwelle losschrauben (Rechtsgewinde).
- Einen Schraubendreher am Ende der Rüttlerwelle ansetzen.
- Rüttlerwelle von der Vorderseite des Rohrs aus abnehmen. Ggf. Lager, Sicherungsring und Dichthülse entfernen.

7. Zusammenbau

- Nach dem Zerlegen des Rüttlers immer alle O-Ringe, Dichthülsen und Lager erneuern. Biegsame Welle wie oben beschrieben reinigen und mit Fett schmieren. In umgekehrter Reihenfolge zusammenbauen.

**WARNEN**

Die Bauteile des Rüttlers, d.h. Rohr, Rüttlerwelle und Endkappe, dürfen nicht geschmiert werden; sie müssen ganz sauber und trocken gehalten werden, da der Rüttler sonst nicht funktioniert.

Ihr neuer Altrad Belle 'BGA' ist für den Originalkäufer für ein Jahr (12 Monate) garantiert. Diese Garantiedauer bezieht sich auf das Kaufdatum. Diese Gewährleistung erstreckt sich auf Konstruktions- und Materialfehler und Sachmängel.

Die Altrad Belle Gewährleistung gilt in folgenden Fällen nicht:

1. Mutwillige Schäden, Schäden durch Missbrauch, Aufprallschäden oder ähnliche Schäden, die durch Nichtbeachtung der Montage-, Benutzungs oder Instandhaltungsanweisungen verursacht worden sind.
2. Änderungen oder Reparaturen, die von anderen als Altrad Belle oder deren anerkannte Kundendienststellen durchgeführt worden sind.
3. Transport- oder Versandkosten an und von Altrad Belle oder deren anerkannte Kundendienststelle zu Reparaturzwecken, oder zur Kontrolle von Maschinen bei Garantieansprüchen.
4. Material- und Lohnkosten für die Erneuerung, Reparatur oder den Ersatz von Teilen, die natürlichem Verschleiß unterliegen.

Nachfolgende Teile sind von unserer Gewährleistung ausgeschlossen:

- Treibriemen
- Motor-Luftfilter
- Zündkerzen

Altrad Belle und deren Beauftragte, Geschäftsführer, Mitarbeiter oder Versicherer übernehmen keinerlei Haftung für Folge- oder andere Schäden oder Kostenerstattungsansprüche die darauf beruhen, dass sich die Maschine nicht für einen bestimmten Zweck verwenden lässt.

Garantiefall

Im Garantiefall wenden Sie sich bitte zunächst entweder telefonisch, per Fax, E-Mail oder schriftlich an die ALTRAD Belle.

Tel: +44 (0)1298 84606,

Fax: +44 (0)1298 84073,

E-mail : warranty.dept@altrad-belle.com

Rufnummern für Garantieansprüche:

Altrad Belle Warranty Department, Sheen, Nr. Buxton, Derbyshire, SK17 0EU, England

Garantieregistrierung:

Im Bemühen, ALTRAD Belle noch grüner und umweltfreundlicher zu gestalten, haben wir jetzt eine Online-Garantieregistrierung eingeführt. Um auf die Registrierungsseite unserer Internetpräsenz zu gelangen, nutzen Sie bitte die folgende Adresse:

http://www.bellegroup.com/index.php?p=warranty_registration

Andernfalls können Sie auch den beigefügten QR-Code (Quick Response Code) einscannen, um die Registrierungsseite über Ihr Handy aufzurufen.



Bei der Wartung dieses Produkts dürfen nur Originalersatzteile des Herstellers verwendet werden.

Der Benutzer verliert alle möglichen Ansprüche, wenn die verwendeten Ersatzteile nicht die Originalersatzteile des Herstellers sind.

Eine PDF-Datei mit Teilleisten für dieses Produkt finden Sie im Bereich "Produkt" auf unserer website www.Altrad-Belle.com. Informationen zur Beschaffung von Ersatzteilen bei Ihrem Händler vor Ort finden Sie im Abschnitt "Kontakt"

Как пользоваться этим руководством



Настоящее руководство поможет вам безопасно эксплуатировать и обслуживать глубинный вибратор с гибким валом BGA. Это руководство предназначено для дилеров и операторов глубинного вибратора с гибким валом BGA.

Предисловие

В разделе **Описание станка** можно ознакомиться со схемой и органами управления устройства.

В разделе **Окружающая среда** даны указания по экологически безопасной утилизации списанного устройства.

В разделе **Особые правила техники безопасности** объясняется, как обеспечить безопасность для себя и окружающих при эксплуатации устройства.

Раздел **Руководство по устранению неисправностей** поможет вам в случае проблемы с устройством.

Раздел **Техническое обслуживание** поможет вам выполнить общее обслуживание устройства.

В разделе **Гарантия** описаны гарантийные условия и порядок предъявления рекламаций.

В разделе **Декларация соответствия** указаны стандарты, по которым сконструировано устройство.

Указания в отношении условных обозначений.

Текст, требующий особого внимания, в настоящем руководстве обозначается следующим образом:



ВНИМАНИЕ!

Использование изделия сопряжено с риском. Несоблюдение инструкций может привести к повреждению устройства или травмам пользователя.



ОСТОРОЖНО!

Жизнь оператора под угрозой.

ОСТОРОЖНО



ОСТОРОЖНО!

Перед эксплуатацией или обслуживанием этого устройства СЛЕДУЕТ ОЗНАКОМИТЬСЯ с настоящим руководством.

СЛЕДУЕТ ЗНАТЬ порядок безопасного управления устройством и его безопасного обслуживания. (Примечание. Перед запуском устройства следует узнать, как оно выключается, на случай возникновения трудностей.)

СЛЕДУЕТ ВСЕГДА носить или использовать соответствующие средства индивидуальной защиты. ПО ВСЕМ ВОПРОСАМ о безопасной эксплуатации или обслуживанию этого устройства ОБРАЩАЙТЕСЬ К СВОЕМУ НАЧАЛЬНИКУ ИЛИ В КОМПАНИЮ: Altrad Belle (Великобритания): +44 (0) 1298 84606

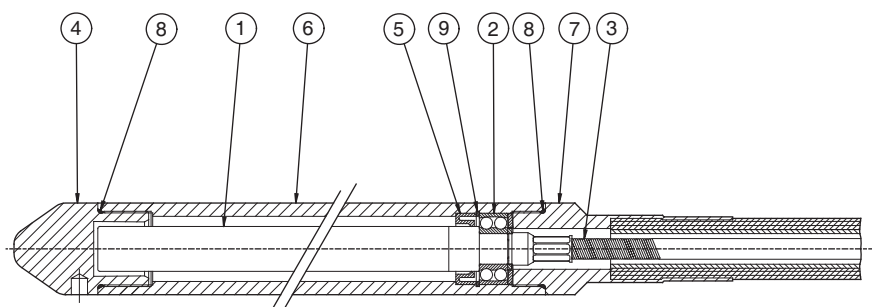
Оглавление



Как пользоваться этим руководством	33
ОСТОРОЖНО!	33
Описание устройства	34
Окружающая среда	34
Особые правила техники безопасности	34
Технические характеристики	35
Предпусковые проверки	35
Инструкция по эксплуатации	35
Хранение	36
Транспортировка	36
Руководство по устранению неисправностей	36
Техническое обслуживание	34 - 35
Гарантия	35

Altrad Belle вправе изменять технические условия на станок без предварительного уведомления или обязательств.

Глубинные вибраторы с гибким валом серии BGA — это высокочастотные глубинные вибраторы для уплотнения бетона. Они создают мощную вибрацию и не требуют дорогого обслуживания. Все глубинные вибраторы строятся по маятниковому принципу работы: низкая скорость вращения гибкого вала и высокая частота вибрации в наконечнике. Это позволяет добиться максимальной производительности при минимальном износе. Глубинные вибраторы с гибким валом серии BGA подходят для любых строительных площадок и работают от электрического, бензинового или дизельного привода. Глубинные вибраторы поставляются с 5-метровым гибким валом.



1. Маятник
2. Самоустанавливающийся шариковый подшипник
3. Гибкий вал
4. Наконечник
5. Масляный сальник
6. Кожух
7. Торцевой хвостовик
8. Кольцевое уплотнение
9. Стопорное кольцо

Безопасная утилизация.



Указания по защите окружающей среды. Устройство содержит ценные материалы. Списанное устройство вместе со вспомогательным оборудованием сдается на соответствующее перерабатывающее предприятие.

Компонент	Материал
Муфты	Сталь
Наконечники	Сталь
Гибкий сердечник	Сталь
Гибкий кожух	Полимерные соединения / сталь
Различные детали	Алюминий и сталь
Сальники / кольцевые уплотнения	Резина / полимерные соединения
Шланг	Резина

Чтобы защитить себя и окружающих, внимательно ознакомьтесь со следующей информацией по технике безопасности. Оператор обязан досконально знать порядок безопасной эксплуатации этого оборудования. Если вы не уверены в своих знаниях по безопасной и правильной эксплуатации глубинного вибратора, обратитесь к своему начальнику или в компанию Altrad Belle.



ВНИМАНИЕ!

Неправильное обслуживание сопряжено с риском. Перед выполнением технического обслуживания или ремонта следует ознакомиться с настоящим разделом.

- Сначала следует прочесть инструкцию к силовому агрегату, к которому будут подключены глубинные вибраторы.
- Следует огородить рабочий участок и не допускать на него посторонних, чтобы они оставались на безопасном расстоянии.
- Оператор должен носить средства индивидуальной защиты (СИЗ) во время эксплуатации этого оборудования (см. раздел ниже).
- Следует выключить и отсоединить силовой агрегат перед его транспортировкой, перемещением или обслуживанием.
- Запрещается снимать или вскрывать установленные уплотнения и кожухи, так как они предназначены для защиты оператора. Следует всегда проверять состояние и надежность кожухов. Если они повреждены или отсутствуют, **ЗАПРЕЩАЕТСЯ ИСПОЛЬЗОВАТЬ ГЛУБИННЫЙ ВИБРАТОР**, пока кожухи не будут заменены или отремонтированы.
- Если работающий глубинный вибратор не погружен в бетон, наконечник вибратора сильно нагревается. Нужно касаться наконечника вибратора с осторожностью. Запрещается оставлять извлеченный из бетона вибратор работающим, так как это может привести к повреждению внутренних деталей.
- Запрещается использовать глубинный вибратор, если вы больны, устали или находитесь под воздействием алкоголя или наркотиков.

ВИБРАЦИЯ

Часть вибрации, возникающей во время работы глубинного вибратора, передается через гибкий вал на руки оператора. Может потребоваться ограничение времени воздействия.

СРЕДСТВА ИНДИВИДУАЛЬНОЙ ЗАЩИТЫ (СИЗ)

Следует носить подходящие СИЗ во время эксплуатации этого оборудования, то есть защитные очки, перчатки, средства защиты органов слуха, респиратор, защитная обувь с металлическим носком. Спецодежда должна соответствовать выполняемой работе. Следует обязательно защищать кожу от контакта с бетоном.

Модель	BGA 25	BGA 35	BGA 45	BGA 55	BGA 65	BGA 68
Длина трубки, мм	-	330	375	390	420	410
Диаметр трубки, мм	25	35	45	55	65	68
Длина гибкого вала, м	5.0	5.0	5.0	5.0	5.0	5.0
Общий вес, кг	9.5	11.5	16	17	25	21
Частота, Гц	187	187	187	187	187	187
Амплитуда, мм	0.25	0.25	0.25	0.25	1.0	0.7

Предпусковые проверки

ПРОВЕРКА ПЕРЕД ЭКСПЛУАТАЦИЕЙ

Перед началом работы и после каждых четырех часов эксплуатации следует выполнить проверку. Подробные указания изложены в разделе о техническом обслуживании. При выявлении неисправности следует прекратить эксплуатацию глубинного вибратора до устранения неисправности.

1. Тщательно осмотреть глубинный вибратор для выявления признаков повреждений. Убедиться, что компоненты на своих местах и закреплены.
2. Осмотреть гибкий вал для выявления признаков повреждений.



ВНИМАНИЕ!

Частота вращения глубинного вибратора с гибким валом не должна превышать 2800 об/мин. Эксплуатация глубинного вибратора приведет к его повреждению и аннулирует гарантию компании Altrad Belle.

Инструкция по эксплуатации

ПОРЯДОК ПОДКЛЮЧЕНИЯ

Перед подключением глубинного вибратора к силовому агрегату следует развернуть устройство по всей длине.



ВНИМАНИЕ!

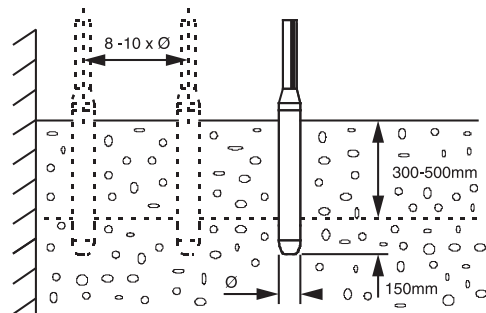
***ЗАПРЕЩАЕТСЯ** подключать глубинный вибратор к работающему силовому агрегату. Это приведет к обрыву внутреннего сердечника и большим внутренним повреждениям.*

1. Для подключения гибкого вала к силовому агрегату следует поднять ручку фиксатора на фланце и вставить концевой соединитель гибкого вала.
2. Отпустить ручку фиксатора, который должен войти в концевой соединитель.
3. Если этого не происходит, следует провернуть коленчатый вал двигателя с помощью веревки или рукоятки и протолкнуть концевой соединитель.



РЕКОМЕНДАЦИИ ПО ЭКСПЛУАТАЦИИ ВИБРАТОРА ДЛЯ УПЛОТНЕНИЯ БЕТОНА

1. Выбрать глубинный вибратор правильного размера в зависимости от объема работы, расстояния между арматурой, величины осадки бетона и состава смеси.
2. Рекомендуется предусмотреть наличие запасного вибратора для уплотнения бетона.
3. Заливать бетон равномерно, слоями толщиной 300—500 мм. Не использовать глубинный вибратор для укладки бетонной смеси. Рабочий шланг не должен быть перекрученным или загнутым, так как это усилит износ.
4. Уплотнять бетон глубинным вибратором систематически. Погружать вибратор на 300—500 мм с интервалом, равным 8—10 диаметрам трубки. По возможности погружать глубинный вибратор на 150 мм в предыдущий слой бетона лучшего сцепления слоев. Признаками хорошего уплотнения бетона являются блестящая поверхность вокруг глубинного вибратора и отсутствие крупных пузырей воздуха, поднимающихся на поверхность бетона. На уплотнение при каждом погружении обычно уходит 10—20 секунд.
5. Вынимать глубинный вибратор медленно, чтобы бетон заполнял пустоту, оставленную наконечником.
6. Не прижимать вибратор к арматуре. Погружать глубинный вибратор на расстоянии не менее 70 мм от стенок.
7. Вынимать глубинный вибратор только вертикально, чтобы бетон мог заполнять пустоту. Не выключать устройство до полного извлечения глубинного вибратора. Скорость извлечения должна составлять приблизительно 8 см/с. Когда вибратор почти извлечен, следует быстро поднять его, чтобы избежать колебаний поверхности.



ВНИМАНИЕ!

Нельзя долго держать вибратор над бетоном. По завершения уплотнения бетона следует выключить глубинный вибратор.



Хранение

Не используемый длительное время глубинный вибратор следует хранить в чистом, сухом и защищенном месте.



Транспортировка

Следует защитить глубинный вибратор от повреждений вследствие сдвига, опрокидывания или удара во время транспортировки.



Руководство по устранению неисправностей

Проблема	Причина	Решение
Глубинный вибратор не вибрирует	Сломан сердечник	Заменить и хорошо смазать
	Нарушен масляный сальник	Заменить
	Подшипник поврежден / сломан	Заменить
	Маятник поврежден / сломан	Заменить



Техническое обслуживание

Глубинные вибраторы с гибким валом серии BGA производства компании Altrad Belle предназначены для многолетней бесперебойной работы. Рекомендуется, чтобы основное обслуживание и ремонт выполнял одобренный дилер компании Altrad Belle. Следует использовать только оригинальные запасные части Altrad Belle; использование поддельных частей может привести к аннулированию вашей гарантии.

Периодическое обслуживание.

1. Перед обслуживанием передачи или глубинного вибратора следует обязательно отсоединить гибкий глубинный вибратор от электромотора или силового агрегата.
2. Рекомендуется регулярно выполнять капитальный ремонт глубинного вибратора с гибким валом для обеспечения его бесперебойной работы.

Обслуживание вала.

3. Для надлежащего обслуживания вала используется следующий порядок действий. Следует снимать и заполнять гибкий вал смазкой каждые 500 рабочих часов.



ВНИМАНИЕ!

НЕЛЬЗЯ пытаться смазать гибкий вал на рабочем участке. Эта процедура должна выполняться в контролируемых цеховых условиях.

4. Следует использовать смазку правильной марки. Если требуемую смазку трудно достать, можно использовать эквивалентную ей смазку с высокой температурой плавления.
 - Отодвинуть наружный кожух, чтобы оголить внутренний гибкий сердечник.
 - Тщательно очистить внутренний стальной сердечник и муфты растворителем для снятия смазки.
 - Очистить открытые концы наружного кожуха только ветошью.
 - Очистив гибкий вал по всей длине, осмотреть сердечник для выявления чрезмерного износа из-за трения сердечника о спираль наружного кожуха. Также осмотреть наружный слой для выявления оборванных нитей. При наличии изгиба наружного кожуха рекомендуется заменить кожух во избежание повреждения внутреннего сердечника.
 - Смазать внутренний сердечник смазкой Castrol BM2. Самый удобный способ смазки: зачерпнуть немного смазки рукой, охватить вал рукой и провести по всей длине вала, оставляя тонкий слой смазки. Рекомендуемое количество смазки: 25 г/м.
 - Нельзя наносить слишком толстый слой смазки, так как она может попасть в наконечник.
 - Смазав первые 300—400 мм, следует вставить смазанный внутренний сердечник в кожух со стороны концевое соединителя.
 - Продолжить смазывать внутренний сердечник, постепенно вставляя его в кожух. Продолжить нанесение смазки, пока внутренний сердечник не будет смазан по всей длине.
 - По мере вхождения внутреннего сердечника в кожух часть смазки будет прилипать к внутренним стенкам кожуха. Поэтому рекомендуется вытянуть сердечник примерно на 2 метра с другой стороны, смазать и вставить его обратно в кожух.
 - При повторной смазке следует избегать загрязнения деталей.
 - По завершении обслуживания гибкого вала следует правильно установить на место все детали.
5. Рекомендуется выполнять проверки каждые 12 месяцев или чаще, в зависимости от условий эксплуатации. Проверку выполняет официальный дилер.

Обслуживание наконечника.

6. Разборка

- Зажать глубинный вибратор в тисках. Отвинтить наконечник и торцевой хвостовик (левая резьба).
- Отвинтить гибкий вал с вала вибратора (правая резьба).
- На конце вала вибратора используется отвертка.
- Вытянуть вал вибратора через переднюю часть трубки. При необходимости снять подшипник, стопорное кольцо и уплотнительную втулку.

7. Сборка

- Заменять уплотнительные кольца, уплотнительные втулки после каждой разборки глубинного вибратора. Очистить и смазать гибкий вал, как описано выше. Выполнить сборку в обратном порядке.



ВНИМАНИЕ!

Детали вибратора, такие как вал и наконечник вибратора, не подлежат смазке и должны быть идеально чистыми и сухими, иначе вибратор не будет работать.

Гарантия



Исходному покупателю нового глубинного вибратора с гибким валом серии BGA производства компании Altrad Belle дается гарантия на один год (12 месяцев) со дня исходной покупки. Altrad Belle гарантирует отсутствие дефектов конструкции, материалов и изготовления.

Гарантия Белле Групп не распространяется на перечисленное ниже:

1. Повреждения, возникшие в результате злоупотребления, неправильного употребления, падения на землю, а также иные повреждения подобного рода, появившиеся в результате или возникшие из-за неверного использования инструкций по монтажу, использованию и обслуживанию.
2. Внесенные изменения, дополнения и ремонтные работы, выполненные кем-либо помимо Белле Групп или их официальных представителей.
3. Расходы по пересылке или перевозке (в оба конца) какой-либо машины в Белле Групп или к их официальному представителю для ремонта или осмотра по гарантийной претензии.
4. Материалы и стоимость работы по обновлению, ремонту или замене компонентов, подверженных обычному износу.

Гарантия не распространяется на следующие компоненты:

- Ремни приводов; - Воздушные фильтры мотора; - Свечи зажигания.

Ни сама Белле Групп, ни ее официальные представители, руководители, работники или страховщики не несут ответственности за повреждения, возникшие как следствие или иные повреждения, потери или расходы, возникшие в результате или в связи с невозможностью использовать машину для каких-либо целей.

Гарантийные претензии

Все гарантийные претензии должны быть прежде всего направлены непосредственно в Белле Групп по телефону, по факсу, по э-почте или в письменном виде.

Для гарантийных претензий:

Тел.: +44 (0)1298 84606

Факс: +44 (0)1298 84073

Э-почта: warranty.dept@altrad-belle.com

В письменном виде:

Altrad Belle Warranty Department Sheen, Nr. Buxton, Derbyshire, SK17 0EU, England

Регистрация гарантии:

Для улучшения экологических показателей ALTRAD Belle мы ввели онлайн-регистрацию гарантии. Страница регистрации доступна на нашем сайте по адресу:

http://www.bellegroup.com/index.php?p=warranty_registration

Вы также можете открыть страницу регистрации, просканировав QR-код смартфоном.



Запасные Части



При обслуживании этого продукта могут использоваться только оригинальные запчасти производителя.

Пользователь потеряет любые возможные претензии, если используемые запасные части не являются оригинальными запасными частями производителя.

Список запчастей для этого продукта в формате PDF можно найти в разделе «продукт» нашего веб-сайта Altrad-Belle.com Информацию о поиске запасных частей у местного дилера можно найти в разделе «Свяжитесь с нами».



BELLE
LIGHT
CONSTRUCTION
EQUIPMENT

ALTRAD BELLE

Sheen, Nr. Buxton, Derbyshire, SK17 0EU, GB

Tel. +44 (0)1298 84606 - Fax +44 (0)1298 84722 - Email: sales@altrad-belle.com

www.Altrad-Belle.com

EU IMPORTER ADDRESS

ADRESSE DE L'IMPORTATEUR - DIRECCIÓN DEL IMPORTADOR - ENDEREÇO DO IMPORTADOR - ADRES IMPORTEUR

IMPORTØRENS ADRESSE - IMPORTEUR ADRESSE - INDIRIZZO DELL'IMPORTATORE - IMPORTÖRENS ADRESS - IMPORTØRADRESSE

MAAHANTUOJAN OSOITE - ADRES IMPORTERA - IMPORTIJA AADRESS - IMPORTĚTĀJA ADRESE - IMPORTUOTOJO ADRESAS

ADRESA DOVOZCE - ADRESA IMPORTATORULUI - IMPORTÓR CÍME - ADRESA UVOZNIKA - ÍTHALATÇI ADRESI - ADRESA DOVOZCU

ALTRAD (Group Holding)

125, Rue du Mas Carbonnier, 34000, Montpellier, France

Tel. +33 (0) 4 67 50 53 66 - Email: admin@altrad.com

www.altrad.com