



BELLE
LIGHT
CONSTRUCTION
EQUIPMENT

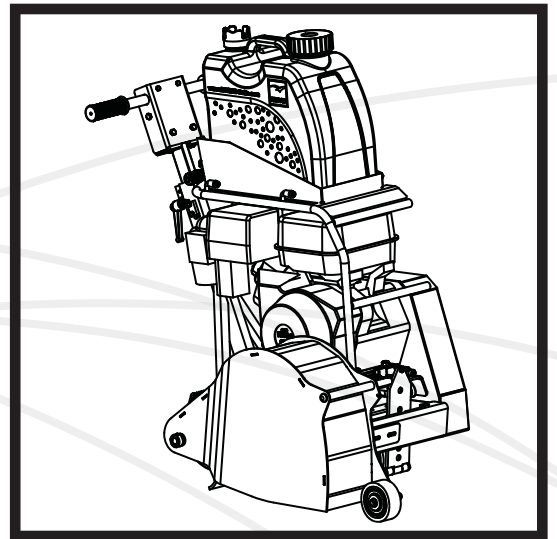


Altrad-Belle.com

DUO 350X

GB Operators Manual

4



2

UKCA Declaration of Conformity

3

EC/EU Declaration of Conformity

Declaration Of Conformity (DOC)

We, **Altrad Belle, Sheen, Nr. Buxton, Derbyshire, SK17 0EU, GB** declare that the DoC is issued under our sole responsibility and belongs to the followings product(s):



PRODUCT TYPE

MODEL.....

SERIAL No.....

DATE OF MANUFACTURE

SOUND POWER LEVEL
MEASURED /
.....(GUARANTEED)

WEIGHT.....



Object of the Declaration:

Petrol / diesel engine powered floor saw for cutting in various types of concrete and asphalt applications.

The object of the declaration described above is in conformity with the relevant **Statutory Requirements:**

- **2008 No. 1597** Supply of Machinery (Safety) Regulations 2008
- **2001 No. 1701** Noise Emission in the Environment by Equipment for use Outdoors Regulations 2001
- **2016 No. 1091** Electromagnetic Compatibility Regulations 2016
- **2012 No. 3032** The Restriction of the Use of Certain Hazardous Substances in Electrical and Electronic Equipment Regulations 2012

The following designated standards and technical specifications have been applied:

- **EN ISO 12100:2010** Safety of machinery
- **BS EN 13862:2001+A1:2009** Floor cutting-off machines. Safety
- **BS EN 61029-2-1:2012** Safety of transportable motor-operated electric tools. Particular requirements for circular saw benches
- **ISO 3744:2010** Acoustics — Determination of sound power levels and sound energy levels of noise sources using sound pressure

Technical Files are held by **Mark Pickard** at the Altrad Belle address stated above:-

Place of Declaration:-

Sheen,
Nr. Buxton,
Derbyshire,
SK17 0EU,
UK

Signed by:

Mark Pickard

Date of Declaration:-

March 2026

Managing Director
On behalf of Altrad Belle
Sheen, Derbyshire, UK



EC Declaration Of Conformity (DOC)



We, **Altrad Belle, Sheen, Nr. Buxton, Derbyshire, SK17 0EU, GB** declare that the DoC is issued under our sole responsibility and belongs to the followings product(s):



PRODUCT TYPE

MODEL.....

SERIAL No.....

DATE OF MANUFACTURE

SOUND POWER LEVEL
MEASURED /
.....(GUARANTEED)

WEIGHT.....



Signed by:

Mark Pickard
Managing Director

On behalf of Altrad Belle, Sheen, Derbyshire, UK

Place of Declaration:-
Sheen, Nr. Buxton, Derbyshire, SK17 0EU, UK
Date of Declaration:-
March 2026

Object of the Declaration:

Petrol / diesel engine powered floor saw for cutting in various types of concrete and asphalt applications.

The object of the declaration described above is in conformity with the relevant **Union Harmonisation Legislation:**

- **2006/42/EC** - New machinery directive
- **2000/14/EC** - Noise - equipment for use outdoors

The following harmonised standards and technical specifications have been applied:

- **EN ISO 12100:2010** Safety of machinery
- **BS EN 13862:2001+A1:2009** Floor cutting-off machines. Safety
- **ISO 3744:2010** Acoustics — Determination of sound power levels and sound energy levels of noise sources using sound pressure

Technical Files are held by **Armand Ternel** at the following address:-
Altrad Investment Authority SAS: 150 Rue Le Pérugin, 34000 Montpellier, France.



EU Declaration Of Conformity (DOC)



We, **Altrad Belle, Sheen, Nr. Buxton, Derbyshire, SK17 0EU, GB** declare that the DoC is issued under our sole responsibility and belongs to the followings product(s):



PRODUCT TYPE

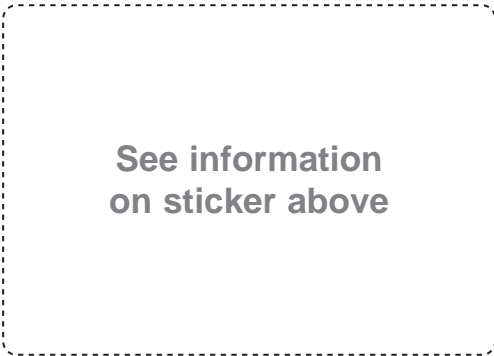
MODEL.....

SERIAL No.....

DATE OF MANUFACTURE

SOUND POWER LEVEL
MEASURED /
.....(GUARANTEED)

WEIGHT.....



Signed by:

Mark Pickard
Managing Director

On behalf of Altrad Belle, Sheen, Derbyshire, UK

Place of Declaration:-
Sheen, Nr. Buxton, Derbyshire, SK17 0EU, UK
Date of Declaration:-
March 2026

Object of the Declaration:

Petrol / diesel engine powered floor saw for cutting in various types of concrete and asphalt applications.

The object of the declaration described above is in conformity with the relevant **Union Harmonisation Legislation:**

- **2014/30/EU** - EMC Directive
- **2011/65/EU** - Restriction of Hazardous Substances Directive

The following harmonised standards and technical specifications have been applied:

- **EN ISO 12100:2010** Safety of machinery
- **BS EN 13862:2001+A1:2009** Floor cutting-off machines. Safety
- **ISO 3744:2010** Acoustics — Determination of sound power levels and sound energy levels of noise sources using sound pressure

Technical Files are held by **Armand Ternel** at the following address:-
Altrad Investment Authority SAS: 150 Rue Le Pérugin, 34000 Montpellier, France.



How To Use This Manual

This manual has been written to help you operate and service the 'Duo 350X' Floor Saw safely. This manual is intended for dealers and operators of the 'Duo 350X' Floor Saw.

Foreword

The '**Machine Description**' section helps you to familiarise yourself with the machine's layout and controls.

The '**Environment**' section gives instructions on how to handle the recycling of discarded apparatus in an environmentally friendly way.

The '**General Safety**' and '**Health and Safety**' sections explain how to use the machine to ensure your safety and the safety of the general public.

The '**Operating Instructions**' section helps you with the setting up and use of the machine.

The '**Trouble Shooting Guide**' helps you if you have a problem with your machine.

The '**Service & Maintenance**' section is to help you with the general maintenance and servicing of your machine.

The '**Warranty**' Section details the nature of the warranty cover and the claims procedure.

Directives with regard to the notations.

Text in this manual to which special attention must be paid are shown in the following way:



CAUTION

The product can be at risk. The machine or yourself can be damaged or injured if procedures are not carried out in the correct way.



WARNING

The life of the operator can be at risk.



WARNING



WARNING

*Before you operate or carry out any maintenance on this machine **YOU MUST READ and STUDY** this manual.*

KNOW how to safely use the unit's controls and what you must do for safe maintenance. (NB Be sure that you know how to switch the machine off before you switch on, in case you get into difficulty.)

ALWAYS wear or use the proper safety items required for your personal protection. If you have **ANY QUESTIONS** about the safe use or maintenance of this unit, ASK YOUR SUPERVISOR OR CONTACT: **ALTRAD BELLE (UK): +44 (0) 1298 84606**

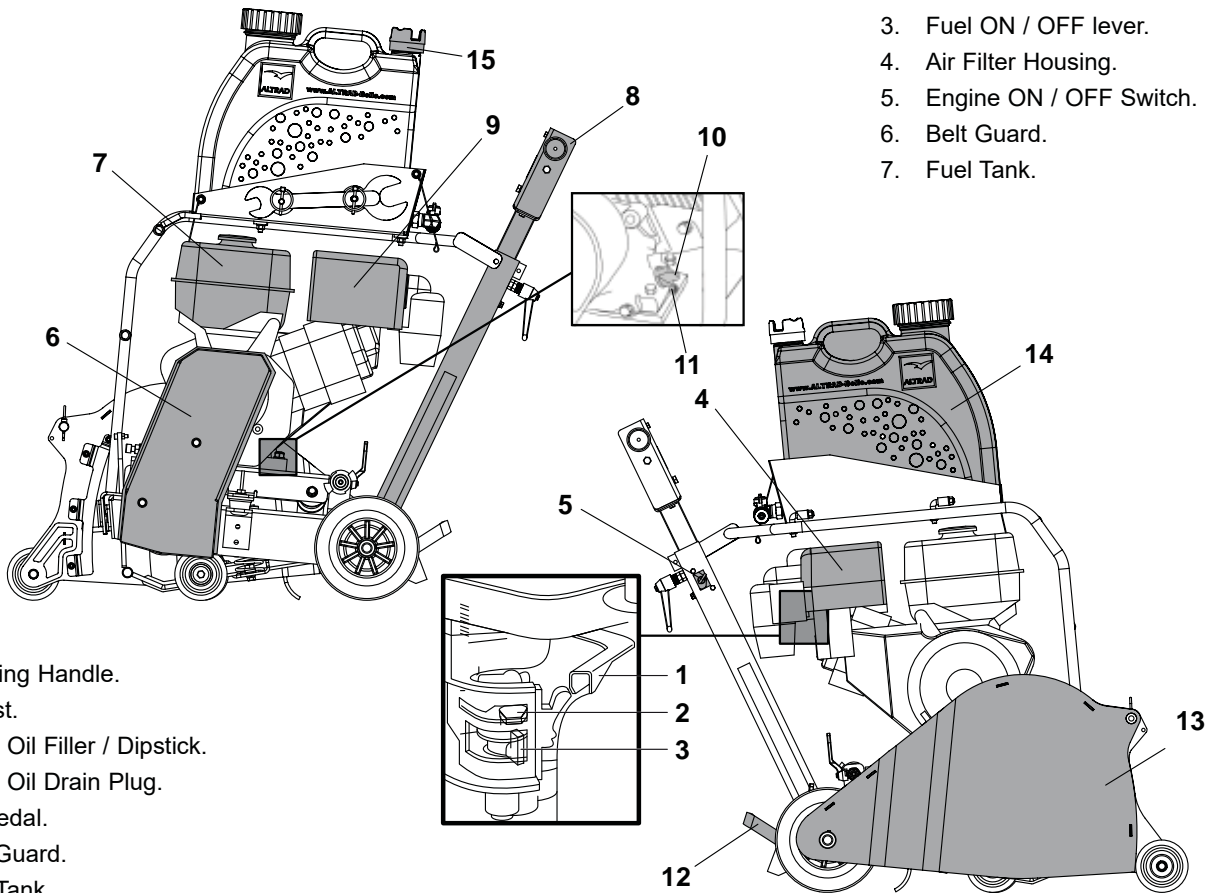


Contents

How to use this manual.....	4
Warning	4
Machine Description.....	5
Technical Data.....	5
Decals	6
General Safety	7
Health and Safety.....	7
Environment	8
Pre-Start Checks	8
Start & Stop Procedure	8
Operating Instructions	8 - 9
Trouble Shooting Guide	9
Service and Maintenance.....	10
Blade Fitment	11
Warranty.....	12
Replacement Parts.....	12
UKCA Declaration of Conformity.....	2
CE/EU Declaration Of Conformity.....	3

Altrad Belle reserves the right to change machine specification without prior notice or obligation.

Machine Description



1. Throttle lever.
2. Choke lever.
3. Fuel ON / OFF lever.
4. Air Filter Housing.
5. Engine ON / OFF Switch.
6. Belt Guard.
7. Fuel Tank.

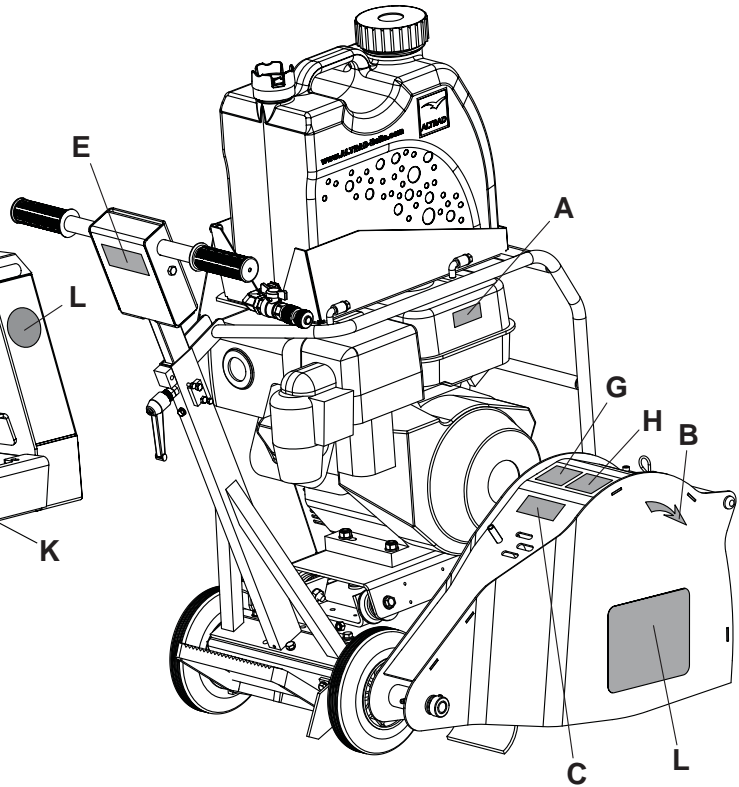
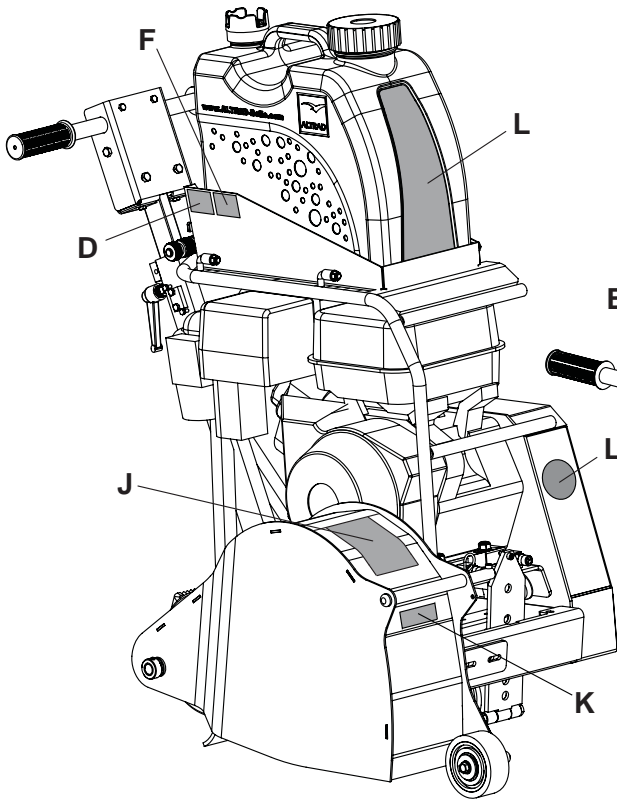
8. Operating Handle.
9. Exhaust.
10. Engine Oil Filler / Dipstick.
11. Engine Oil Drain Plug.
12. Foot Pedal.
13. Blade Guard.
14. Water Tank.
15. Water Depth Gauge.

Technical Data



Model	Duo 350X
Machine Width (mm)	618
Machine Height (mm)	1019
Machine Length (mm)	870
Engine Model	Honda GX390
Engine Type	Petrol
Engine Power (Hp /KW)	11.8 / 8.7
Machine Weight (Kg)	120
Blade Speed (rpm)	3600
Cutting Width (mm)	100
Maximum Cutting Depth (mm)	120
Blade Diameter (mm)	350
Water Tank Capacity (Ltrs)	25
3 Axis Vibration (m/sec ²)	3.67
Usage Time (mins)	223
Sound Power Level (dB L _{WA})	114
Suitable Materials for Cutting:-	Concrete, Asphalt

- A. Blade RPM Decal
- B. Blade Pointer Decal
- C. Dust Suppression Decal
- D. Noise Decal
- E. Low HAV Decal



- F. Safety Decal
- G. Risk of Cutting Decal
- H. Displacement Warning Decal
- J. Blade Fitment Decal
- K. Blade Safety Decal
- L. Branding Decals

A - Blade RPM Decal (800/99576)

The Maximum Blade RPM is 3800.

B - Blade Pointer Decal (154.0.047)

The Blade rotates clockwise.

C - Dust Suppression Decal (800/99573)

WHEN DRY CUTTING, DUST WILL:-

1. Block Filters and cause premature Engine failure.
2. Pollute the atmosphere.

TO PREVENT THIS:-

1. Use water to dampen the dust down.
2. Ensure that the Water Bottle is full and the Spray System is operational.

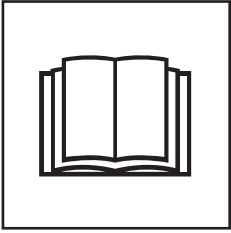
D - Noise Decal (800/99972)

The Noise Level of the machine during operation is 114 dB(A)

E - Low HAV Decal (800/99874)

The machine has a UK Patented Design which reduces HAV levels allowing a greater Usage Time.

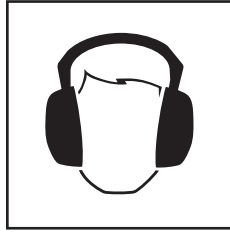
F - Safety Decal (Part No. 19.0.373)



**Please Read
Operators Manual**



**Wear Protective
Footwear**



**Wear Ear
Protection**



**Wear Eye
Protection**

G - Risk of Cutting Decal (800/99575)

Caution, there is a risk of cutting whilst using this machine.

H - Displacement Decal (800/99574)

All displacement of the machine outside the cutting area shall be carried out with the blade not in rotation.

J - Blade Fitment Decal (800/99303)

Instructions on how to change a Blade safely. More instructions can be found in the 'Blade Fitment' section.

K - Blade Safety Decal (800/99395)

Instructions on how to use the Blade(s) safely.



General Safety

For your own personal protection and for the safety of those around you, please read and ensure you fully understand the following safety information. It is the responsibility of the operator to ensure that he/she fully understands how to operate this equipment safely. If you are unsure about the safe and correct use of the Duo 350X Floor Saw, consult your supervisor or Altrad Belle.



WARNING

Improper maintenance can be hazardous. Read and understand this section before you perform any maintenance, service or repairs.

- **DO NOT** lift this machine single-handedly, either **GET HELP** or use suitable lifting equipment.
- **DO NOT** leave the engine running and unattended.
- **DO NOT** remove or tamper with any guards fitted, they are there for your protection. Always check guards for condition and security, if any are damaged or missing, **DO NOT USE THE FLOOR SAW** until the guard has been replaced or repaired.
- **DO NOT** operate the machine with the blade guard in the raised position.
- Running the blades whilst loose may result in permanently damaging the machine. Ensure the blades are adequately tightened before operating the machine. Refer to the Blade Fitment section of the manual for more details.
- **DO NOT** operate the Duo 350X Floor Saw when you are ill, feeling tired, or when under the influence of alcohol or drugs.
- **DO NOT** leave the saw unattended with the motor running.
- **DO** cordon off the work area and keep members of the public and unauthorised personnel at a safe distance.
- **DO** all parts of your body away from the cutting blade and any other moving parts.
- **DO** wear Personal Protective Equipment (PPE) whenever operating this equipment. (See Health & Safety).
- **DO** make sure you know how to safely switch this machine **OFF** before you switch it **ON** in case you get into difficulty.
- **DO** switch **OFF** the engine before transporting, moving it around the site or servicing it.
- **DO** allow the engine to cool before touching it because during use it becomes very hot.
- **DO** inspect the blade, flanges and shafts for signs of damage before fitting the new blade.
- **DO** only use blades that are marked with a higher operating speed than the blade shaft speed.
- **DO BEWARE** of Potential Hazards during operation. E.g. Underground Cables & Gas Pipes.
- If using the Duo 350X Floor Saw as a Single Blade Saw, be sure to use the Inner Blade only.

Fuel Safety.

- **DO NOT** smoke or allow naked flames in the area when refuelling.
- **DO NOT** operate petrol engines in an enclosed area unless it is sufficiently ventilated.
- **DO NOT** operate the saw in areas which may contain combustible material. Sparks from the cutting process may cause a fire or explosion.
- **DO** switch off the engine and allow it to cool before refuelling.
- Spilt fuel must be made safe immediately, using sand. If fuel is spilt on your clothes, change them.
- Store fuel in an approved, purpose made container away from heat and ignition sources.



WARNING

Fuel is flammable. It may cause injury and property damage. Shut down the engine, extinguish all open flames and do not smoke while filling the fuel tank. Always wipe up any spilled fuel.



Health And Safety

Vibration.

Some vibration from the floor saw operation is transmitted through the handle to the operator's hands. The Altrad Belle floor saw has been specifically designed to reduce hand/arm vibration levels. Refer to specifications & technical data for vibration levels and usage times (recommended maximum daily exposure time). **DO NOT** exceed the maximum usage times.

PPE (Personal Protective Equipment).

Suitable PPE must be worn when using this equipment i.e. Safety Goggles, Gloves, Ear Defenders, Dust Mask and Steel Toe capped footwear. Wear clothing suitable for the work you are doing. Tie back long hair and remove any jewellery which may catch in the equipment's moving parts.

Dust.

The sawing process will occasionally produce dust, which may be hazardous to your health. Always wear a mask that is suited to the type of dust being produced.

Fuel.

Do not ingest fuel or inhale fuel vapours and avoid contact with your skin. Wash fuel splashes immediately. If you get fuel in your eyes, irrigate with copious amounts of water and seek medical attention as soon as possible.

Exhaust Fumes.

Do not operate the Duo 350X Floor Saw indoors or in a confined space, make sure the work area is adequately ventilated.



WARNING

The exhaust fumes produced by this equipment are highly toxic and can kill!

Safe Disposal.



Instructions for the protection of the environment. The machine contains valuable materials. Take the discarded apparatus and accessories to the relevant recycling facilities.

Component	Material
Handle	Steel
Hand Grips	Rubber
Main Frame	Steel
Petrol Engine	Aluminium
Various Parts	Steel and Aluminium

Pre-Start Checks

Pre start-up inspection.

The following Pre-start-up inspection must be performed before the start of each work session or after every four hours of use, whichever is first. Please refer to the service section for detailed guidance. If any fault is discovered, the floor saw must not be used until the fault is rectified.

1. Thoroughly inspect the floor saw for signs of damage. Check components are present and secure. Pay special attention to the blade safety guard.
2. Check fluid lines, hoses filler openings, drain plugs and any other areas for signs of leakage. Fix any leaks before operating.
3. Check the engine oil level and top up as necessary.
4. Check the engine fuel level and top up as necessary.
5. Check for fuel and oil leaks.

Start & Stop Procedure

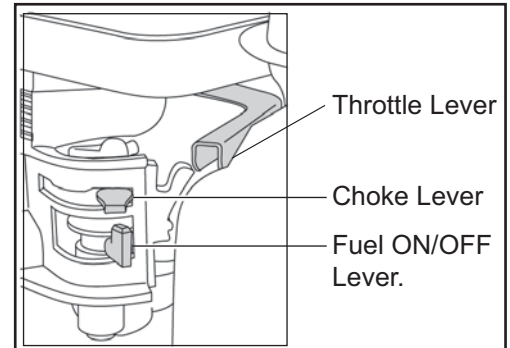


WARNING

Before you operate or carry out any maintenance on this machine **YOU MUST READ and STUDY** this manual.

Honda GX390 Petrol Engine

1. Ensure that the blade is fully raised in the guard by means of the foot pedal.
2. Open the fuel tap by moving the fuel ON / OFF lever fully to the right.
3. If starting the engine from cold, set the choke ON by moving the choke lever fully to the left. If restarting a warm engine, the choke is usually not required, However, if the engine has cooled to a degree, partial choke may be required.
4. Turn the engine ON / OFF switch clockwise to the 'I' position.
5. Set the throttle to the idle position by moving the throttle lever fully to the right.
6. Taking a firm hold of the control handle with one hand, grasp the recoil starter handle with the other. Pull the recoil starter until engine resistance is felt, then let starter return.
7. Taking care not to pull the starter's rope fully out and pull the starter handle briskly.
8. Repeat until the engine fires.
9. Once the engine fires gradually set the choke lever to the OFF Position by moving it to the right.
10. If the engine fails to fire after several attempts, follow the trouble-shooting guide.
11. To stop the engine, fully raise the blade into the guard and set the throttle to idle. Allow the engine to idle for at least 2 minutes
12. Turn the engine ON / OFF switch anti-clockwise to the '0' position.
13. Turn the fuel off.





Operating Instructions

- **Take the Floor Saw to where it is required.**

If the Floor Saw is to be transported to another location, ensure that the Blade is fully raised in the Guard and that the Engine has been switched OFF. **NEVER** transport the Floor Saw with the Blade lowered or with the Engine still running, even if it is only being moved a short distance.

Check that the Water Outlet Valve is closed, then fill the Water Bottle with clean water. To ensure a steady stream of water, always make sure that the Water Bottle water level is kept constant.

If a Bowser is used, ensure that the Water Outlet Valve is closed before connecting the supply to the saw. Once connected, use the Valve to control the flow of water and to ensure a steady stream of water to the Blade.



CAUTION

*The Duo 350X can also be used as a Single Blade Floor Saw. Please ensure that the **Inner Blade** is always used in these instances.*

- **Having carried out the checks listed in the 'pre start' section, you may start the engine.**

The Blade should now be spinning at idle speed. **ALWAYS** check the blade for any signs of wobble, vibration or unusual noise. If any of these occur, stop the machine immediately and refer to the Troubleshooting Guide.

- **Set the throttle to maximum, use the control lever to gently lower the Blade into the cut and use the depth marker to achieve the required depth of cut.**

The Floor Saw will then require gentle forward movement to achieve the cut.

The speed of travel will be determined by the condition of the surface being cut.

DO NOT stand in line with the Blade and the stream of hot particles whilst sawing.

NEVER plunge the Blade harshly into the cut.

If the surface to be cut is very hard, the saw will take longer to cut. Try to make more than one pass as this will reduce otherwise excessive wear of the Blade.

DO NOT try to force the Floor Saw forwards as this will cause damage to the Blade.

DO NOT try to cut curves as this will cause stress cracks or fragmentation of the Blade.

- To stop the Floor Saw, follow the Start / Stop Procedure.



Troubleshooting Guide

Problem	Cause	Remedy
Engine will not start.	No fuel.	Open fuel tap. Fill fuel tank.
	Engine switched off.	Switch engine on.
	Spark plug fouled.	Clean and reset plug gap.
	Engine cold.	Close choke.
	Engine flooded.	Honda, open choke, fully open throttle, pull recoil starter until engine fires.
Blade not turning	Belts incorrectly tensioned.	Re-tension belts.
	Belts broken.	Replace belts.
Excessive Noise, Vibration or wobble from blade.	Check condition of arbor shaft bearings.	Replace as necessary.
	Check dowel pin for damage.	Replace dowel pin.
	Check tightness of arbor shaft nut.	Tighten as necessary.
	Check condition of Blade flange.	Replace as necessary.
	Check Blade for signs of damage.	Replace blade.



CAUTION

Improper maintenance can be hazardous. Read and Understand this section before you perform any maintenance, service or repairs.

Maintenance

The Altrad Belle 'Duo 350X' Floor Saw is designed to give many years of trouble free operation. It is, however, important that the simple regular maintenance listed in this section is carried out. It is recommended that an approved Altrad Belle dealer carries out all major maintenance and repairs.

Always use genuine Altrad Belle replacement parts, the use of spurious parts may void your warranty. Before any maintenance is carried out on the machine, switch off the engine. *Petrol engine* - disconnect the HT lead from the sparkplug. Always set the Floor Saw on level ground to ensure any fluid levels will be correctly read.

Only use recommended oils (see chart below).

Running In Period

When the Floor Saw is first used from new, the engine oil must be changed after the initial running in period (see engine manual for full detail). The belt tension should be checked after 4 hours use. If new Belts have been fitted, check Belt tension after the first 30 minutes of use.

Drive Belt

Remove the Belt Guard then check the Belt tension by placing light finger pressure on the top of the Belt, as near central between the engine drive and arbor pulley. The Belt should deflect by 4mm. If the Belt tension requires adjustment, loosen the Engine Mounting Bolts enough to allow the Engine to be moved. Adjust the Engine's position by adjusting the tensioning Bolt at the front of the machine. Once set, re-tighten the Engine Mounting Bolts and check the Belt tension a second time. Once the Belt tension is correct, check the Pulley alignment. If the alignment is incorrect, loosen the Taperlock Bushes and move the Pulley to suit. Once the alignment is correct, re-tighten the Taperlock Bushes. Finally, replace the Belt Guard ensuring it is correctly and securely fitted.

Routine Maintenance		Daily	After First 4 Hours	First Month / 20 Hours	3 Months / 50 Hours	6 Months / 100 Hours
Engine Oil	Check Level		✓			
	Change			✓		✓
Air Filter	Check Condition			✓		✓
	Clean / Replace				✓	
Spark Plug	Check / Clean					✓
Drive Belt	Tension		✓	✓	✓	
Blades	Check Tightness	✓				

Oil / Fuel Type & Quantity - Spark Plug Type						
	Oil Type	Quantity (Litre)	Fuel Type	Capacity (Litre)	Spark Plug Type	Electrode Gap (mm)
Petrol Honda GX390	S.A.E. 10W 30	1.1	Unleaded	6.4	BM6ES or BPR6ES	0.6 - 0.7

Removal of Arbor Shaft

1. Remove Belt Guard, Belts, lower Taperlock Bush and Drive key.
2. Tilt the machine backwards to allow access to Arbor Shaft Bearings.
3. Heat Grubscrews on Bearings .
4. Remove the 2 x Grubscrews on the Blade side and the 2 x Grubscrews on the Drive Bearing and remove the Shaft.
5. Clean and replace Arbor Shaft and line the groove up on the Blade end with the Grubscrews.
6. Re-insert Grubscrews at both ends and secure using Loctite 638.



CAUTION

Incorrect fitting of a Blade can cause serious injury. Ensure that the fitting instructions are followed. If in any doubt, Contact your supervisor or Altrad Belle.



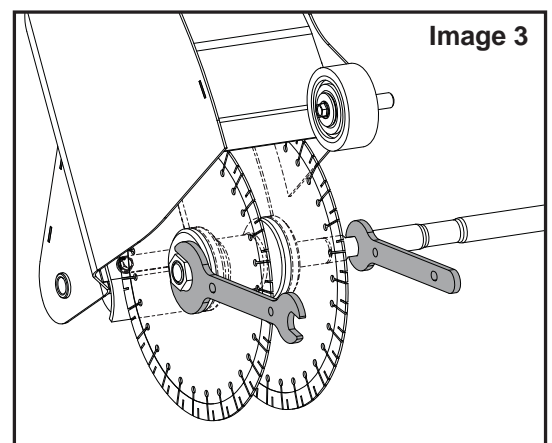
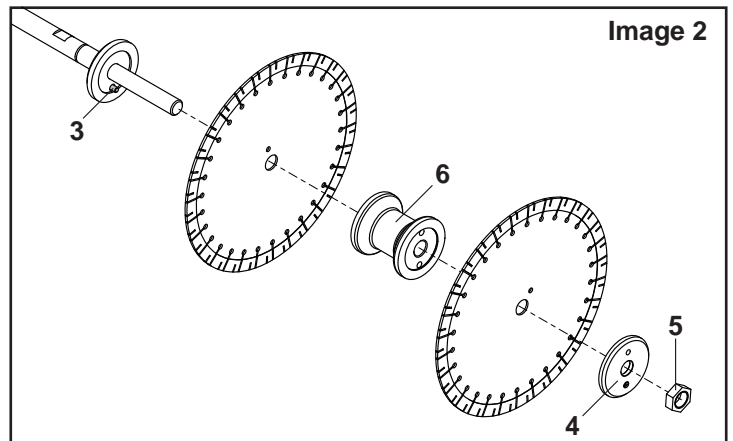
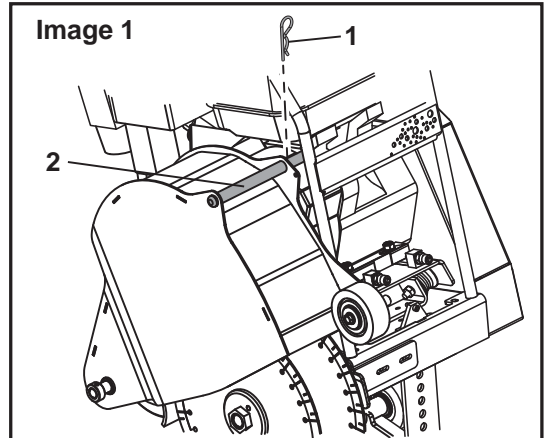
WARNING

DO NOT operate the Floor Saw with the Blade Guard in the raised position. This may caused serious injury.

1. Remove the HT lead from the Spark Plug.
2. Raise the front of the Floor Saw to its maximum height using the foot pedal.
3. Remove the R-Clip (1) and Pin (2) from the Blade Guard and raise the Guard. Lock in place with the same R-Clip and Pin. Ensure the Guard is locked into place.
4. Remove the Arbor Shaft Nut (5) Blade Clamping Plate (4) the Blade Spacer (6) and the two Blades using the Spanners provided.
5. Check the clamping plate and backing plates for damage or wear. Replace if necessary, and fit the blade as laid down in the **safety codes USA ANSI B7.1, Canada SCA and Great Britain HMSO No. 4.**
6. Clean the Flange before mounting the Blade.
7. Be sure that the arrow on the blade points in the same direction as the rotation of the tool.
8. Fit genuine Altrad Belle Blades on to the Arbor Shaft making certain that the Blades locate on to the Arbor Shaft boss and is flush with the Flange Plate.
9. Replace the Clamping Plate (4) with the Dowel Pin (3) passing through the Blade into the rear flange plate.
10. Replace the Arbor Shaft Nut (5) and secure firmly using Spanners provided with the saw (Image 3)
11. Remove the R-Clip (1) and Pin (2) from the Blade Guard and lower the Guard. Lock in place with the same R-Clip and Pin. Ensure the Guard is locked into place.
12. Reconnect the HT lead to the Spark Plug.
13. The machine is now ready to be used.

NOTE:- When a Blade is changed, ensure the Guard Pivot Point is sufficiently lubricated.

NOTE:- If using the Duo 350X Floor Saw as a Single Blade Saw, be sure to use the Inner Blade only.



Warranty



Your new Altrad Belle Duo 350X Floor Saw is warranted to the original purchaser for a period of one-year (12 months) from the original date of purchase. The Altrad Belle warranty is against defects in design, materials and workmanship.

The following are not covered under the Altrad Belle warranty:

1. Damage caused by abuse, misuse, dropping or other similar damage caused by or as a result of failure to follow assembly, operation or user maintenance instructions.
2. Alterations, additions or repairs carried out by persons other than Altrad Belle or their recognised agents.
3. Transportation or shipment costs to and from Altrad Belle or their recognised agents, for repair or assessment against a warranty claim, on any machine.
4. Materials and/or labour costs to renew, repair or replace components due to fair wear and tear.

The following components are not covered by warranty.

- Drivebelt/s
- Engine air filter
- Engine spark plug

Altrad Belle and/or their recognised agents, directors, employees or insurers will not be held liable for consequential or other damages, losses or expenses in connection with or by reason of or the inability to use the machine for any purpose.

Warranty Claims

All warranty claims should firstly be directed to Altrad Belle, either by telephone, by Fax, by Email, or in writing.

For warranty claims:

Tel: +44 (0)1298 84606

Fax: +44 (0)1298 84073

Email: warranty.dept@altrad-belle.com

Write to:

Altrad Belle Warranty Department,
Sheen, Nr. Buxton,
Derbyshire,
SK17 0EU
England.

Warranty Registration:

In the bid for ALTRAD Belle to become greener and more eco friendly, we have now introduced online Warranty registration. To access the registration page of our website, please use the following address:-

http://www.bellegroup.com/index.php?p=warranty_registration

Alternatively, please scan the adjacent QR Code (Quick Response Code) using your smartphone to access the registration page.



Replacement Parts



When maintaining this product only the manufacturers original, genuine replacement parts may be used.

The user will lose any possible claims if replacement parts used are other than the makers original replacement parts.

Replacement parts for this product can be ordered online 24 hours a day, 7 days a week at www.Altrad-Belle247.com

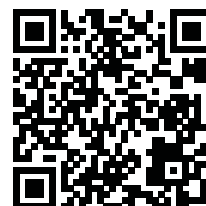
For more information regarding the availability of replacement parts for this product, please contact Altrad Belle using the following contact details:-

Tel:- +44 (0)1298 84606

Fax:- +44 (0)1298 84073

Email:- sales@altrad-belle.com

Alternatively, please scan the adjacent QR Code (Quick Response Code) using your smartphone to access the Altrad Belle online parts portal.





BELLE
LIGHT
CONSTRUCTION
EQUIPMENT

Altrad Belle

Sheen, Nr. Buxton, Derbyshire, SK17 0EU, GB

Tel. +44 (0)1298 84606 - Fax +44 (0)1298 84722 - Email: sales@altrad-belle.com

www.Altrad-Belle.com

EU IMPORTER ADDRESS

*ADRESSE DE L'IMPORTATEUR - DIRECCIÓN DEL IMPORTADOR - ENDEREÇO DO IMPORTADOR - ADRES IMPORTEUR
IMPORTØRENS ADRESSE - IMPORTEUR ADRESSE - INDIRIZZO DELL'IMPORTATORE - IMPORTÖRENS ADRESS - IMPORTØRADRESSE
MAAHANTUOJAN OSOITE - ADRES IMPORTERA - IMPORTIJA AADDRESS - IMPORTÉTĀJA ADRESE - IMPORTUOTOJO ADRESAS
ADRESA DOVOZCE - ADRESA IMPORTATORULUI - IMPORTÓR CÍME - ADRESA UVOZNIKA - İTHALATÇI ADRESİ - ADRESA DOVOZCU*

Altrad Investment Authority SAS:

150 Rue Le Pérugin, 34000 Montpellier, France

Tel. +33 (0) 4 67 50 53 66 - Email: admin@altrad.com

www.altrad.com