



BELLE  
LIGHT  
CONSTRUCTION  
EQUIPMENT



Altrad-Belle.com

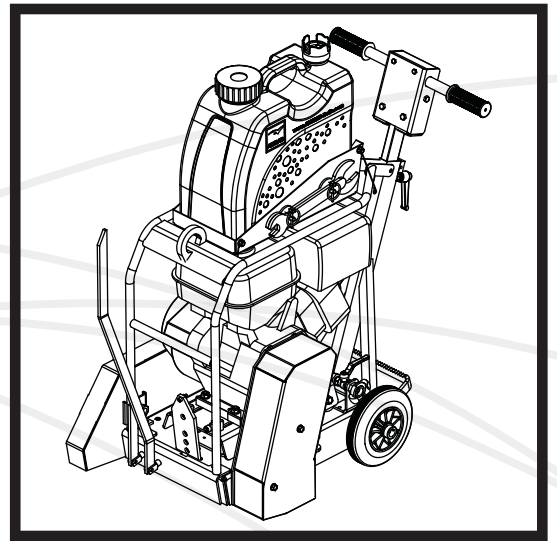
# COMPACT 350X

**GB** Operators Manual

6

**P** Manual de Operação

16



2

UKCA Declaration of Conformity

3 - 4

EC/EU Declaration of Conformity

# Declaration Of Conformity (DOC)

We, **Altrad Belle, Sheen, Nr. Buxton, Derbyshire, SK17 0EU, GB** declare that the DoC is issued under our sole responsibility and belongs to the followings product(s):



PRODUCT TYPE .....

MODEL.....

SERIAL No.....

DATE OF MANUFACTURE

SOUND POWER LEVEL  
MEASURED /  
.....(GUARANTEED)

WEIGHT.....



## Object of the Declaration:

Petrol / diesel engine powered floor saw for cutting in various types of concrete and asphalt applications.

The object of the declaration described above is in conformity with the relevant **Statutory Requirements:**

- **2008 No. 1597** Supply of Machinery (Safety) Regulations 2008
- **2001 No. 1701** Noise Emission in the Environment by Equipment for use Outdoors Regulations 2001
- **2016 No. 1091** Electromagnetic Compatibility Regulations 2016
- **2012 No. 3032** The Restriction of the Use of Certain Hazardous Substances in Electrical and Electronic Equipment Regulations 2012

The following designated standards and technical specifications have been applied:

- **EN ISO 12100:2010** Safety of machinery
- **BS EN 13862:2001+A1:2009** Floor cutting-off machines. Safety
- **BS EN 61029-2-1:2012** Safety of transportable motor-operated electric tools. Particular requirements for circular saw benches
- **ISO 3744:2010** Acoustics — Determination of sound power levels and sound energy levels of noise sources using sound pressure

Technical Files are held by **Mark Pickard** at the Altrad Belle address stated above:-

## Place of Declaration:-

Sheen,  
Nr. Buxton,  
Derbyshire,  
SK17 0EU,  
UK

Signed by:

Mark Pickard

## Date of Declaration:-

March 2026

**Managing Director**  
On behalf of Altrad Belle  
Sheen, Derbyshire, UK



# EC Declaration Of Conformity (DOC)



We, **Altrad Belle, Sheen, Nr. Buxton, Derbyshire, SK17 0EU, GB** declare that the DoC is issued under our sole responsibility and belongs to the followings product(s):



PRODUCT TYPE .....

MODEL.....

SERIAL No.....

DATE OF MANUFACTURE .....

SOUND POWER LEVEL  
MEASURED /  
.....(GUARANTEED)

WEIGHT.....



Signed by:

**Mark Pickard**  
**Managing Director**

*On behalf of Altrad Belle, Sheen, Derbyshire, UK*

**Place of Declaration:-**  
*Sheen, Nr. Buxton, Derbyshire, SK17 0EU, UK*  
**Date of Declaration:-**  
*March 2026*

**Object of the Declaration:**

Petrol / diesel engine powered floor saw for cutting in various types of concrete and asphalt applications.

The object of the declaration described above is in conformity with the relevant **Union Harmonisation Legislation:**

- **2006/42/EC** - New machinery directive
- **2000/14/EC** - Noise - equipment for use outdoors

The following harmonised standards and technical specifications have been applied:

- **EN ISO 12100:2010** Safety of machinery
- **BS EN 13862:2001+A1:2009** Floor cutting-off machines. Safety
- **ISO 3744:2010** Acoustics — Determination of sound power levels and sound energy levels of noise sources using sound pressure

Technical Files are held by **Armand Ternel** at the following address:-  
**Altrad Investment Authority SAS:** 150 Rue Le Pérugin, 34000 Montpellier, France.



# EU Declaration Of Conformity (DOC)



We, **Altrad Belle, Sheen, Nr. Buxton, Derbyshire, SK17 0EU, GB** declare that the DoC is issued under our sole responsibility and belongs to the followings product(s):



PRODUCT TYPE .....

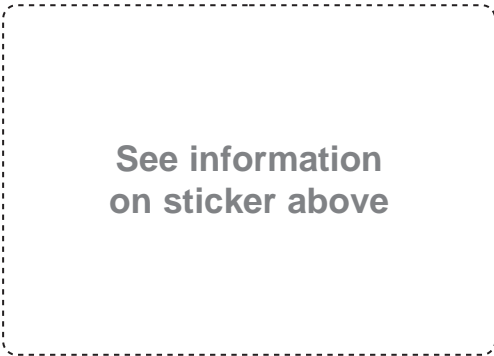
MODEL.....

SERIAL No.....

DATE OF MANUFACTURE .....

SOUND POWER LEVEL  
MEASURED /  
.....(GUARANTEED)

WEIGHT.....



Signed by:

**Mark Pickard**  
**Managing Director**

*On behalf of Altrad Belle, Sheen, Derbyshire, UK*

**Place of Declaration:-**  
*Sheen, Nr. Buxton, Derbyshire, SK17 0EU, UK*  
**Date of Declaration:-**  
*March 2026*

**Object of the Declaration:**

Petrol / diesel engine powered floor saw for cutting in various types of concrete and asphalt applications.

The object of the declaration described above is in conformity with the relevant **Union Harmonisation Legislation:**

- **2014/30/EU** - EMC Directive
- **2011/65/EU** - Restriction of Hazardous Substances Directive

The following harmonised standards and technical specifications have been applied:

- **EN ISO 12100:2010** Safety of machinery
- **BS EN 13862:2001+A1:2009** Floor cutting-off machines. Safety
- **ISO 3744:2010** Acoustics — Determination of sound power levels and sound energy levels of noise sources using sound pressure

Technical Files are held by **Armand Ternel** at the following address:-  
**Altrad Investment Authority SAS:** 150 Rue Le Pérugin, 34000 Montpellier, France.

P

## Declaração de Conformidade da CE (DOC)

P

Nós, **Altrad Belle, Sheen, Nr. Buxton, Derbyshire, SK17 0EU, GB**, declaramos que o DoC foi emitido sob a nossa exclusiva responsabilidade e pertence ao(s) seguinte(s) produto(s):



TIPO DE PRODUTO.....

MODELO.....

Nº SÉRIE.....

DATA DE FABRICO.....

NÍVEL DE POTÊNCIA SONORA  
MEDIDAS /.....  
..... (GARANTIDO)

PESO .....

**Veja a página 3  
para esta informação**

Assinado por:

**Mark Pickard**  
**Diretor Executivo**

*Em representação da Altrad Belle, Sheen,  
Derbyshire, Reino Unido*

**Local da Declaração:-**

*Sheen, Nr. Buxton, Derbyshire, SK17 0EU, UK*

**Data da Declaração:-**

*Março 2026*

### Objeto da Declaração:

Serra de piso com motor a gasolina / diesel para corte em vários tipos de aplicações de concreto e asfalto.

O objeto da declaração acima descrita está em conformidade com a **Harmonização da Legislação Europeia** pertinente:

- **2006/42/CE** - Nova diretiva sobre máquinas

- **2000/14/CE** - Ruído - equipamento para utilização no exterior

Foram aplicadas as seguintes normas harmonizadas e especificações técnicas:

- **EN ISO 12100:2010**

Segurança de máquinas

- **BS EN 13862:2001+A1:2009**

Máquinas para cortar pisos. Segurança

- **ISO 3744:2010**

Acústica - Determinação dos níveis de potência sonora e energia sonora níveis de fontes de ruído usando pressão sonora

A documentação técnica é mantida por **Armand Ternel** no seguinte endereço:-

**Altrad Investment Authority SAS:** 150 Rue Le Pérugin, 34000 Montpellier, França.

P

## Declaração de Conformidade da UE (DOC)

P

Nós, **Altrad Belle, Sheen, Nr. Buxton, Derbyshire, SK17 0EU, GB**, declaramos que o DoC foi emitido sob a nossa exclusiva responsabilidade e pertence ao(s) seguinte(s) produto(s):



TIPO DE PRODUTO.....

MODELO.....

Nº SÉRIE.....

DATA DE FABRICO.....

NÍVEL DE POTÊNCIA SONORA  
MEDIDAS /.....  
..... (GARANTIDO)

PESO .....

**Veja a página 3  
para esta informação**

Assinado por:

**Mark Pickard**  
**Diretor Executivo**

*Em representação da Altrad Belle, Sheen,  
Derbyshire, Reino Unido*

**Local da Declaração:-**

*Sheen, Nr. Buxton, Derbyshire, SK17 0EU, UK*

**Data da Declaração:-**

*Março 2026*

### Objeto da Declaração:

Serra de piso com motor a gasolina / diesel para corte em vários tipos de aplicações de concreto e asfalto.

O objeto da declaração acima descrita está em conformidade com a **Harmonização da Legislação Europeia** pertinente:

- **2014/30/EU** - Diretiva CEM

- **2011/65/UE** - Diretiva de restrição de substâncias perigosas

Foram aplicadas as seguintes normas harmonizadas e especificações técnicas:

- **EN ISO 12100:2010**

Segurança de máquinas

- **BS EN 13862:2001+A1:2009**

Máquinas para cortar pisos. Segurança

- **ISO 3744:2010**

Acústica - Determinação dos níveis de potência sonora e energia sonora níveis de fontes de ruído usando pressão sonora

A documentação técnica é mantida por **Armand Ternel** no seguinte endereço:-

**Altrad Investment Authority SAS:** 150 Rue Le Pérugin, 34000 Montpellier, França.





# How To Use This Manual

This manual has been written to help you operate and service the 'Compact X' Floor Saw safely. This manual is intended for dealers and operators of the 'Compact X' Floor Saw.

## Foreword

The '**Machine Description**' section helps you to familiarise yourself with the machine's layout and controls.

The '**Environment**' section gives instructions on how to handle the recycling of discarded apparatus in an environmentally friendly way.

The '**General Safety**' and '**Health and Safety**' sections explain how to use the machine to ensure your safety and the safety of the general public.

The '**Operating Instructions**' section helps you with the setting up and use of the machine.


The '**Trouble Shooting Guide**' helps you if you have a problem with your machine.


The '**Service & Maintenance**' section is to help you with the general maintenance and servicing of your machine.

The '**Warranty**' Section details the nature of the warranty cover and the claims procedure.

## Directives with regard to the notations.


Text in this manual to which special attention must be paid are shown in the following way:

 **CAUTION** *The product can be at risk. The machine or yourself can be damaged or injured if procedures are not carried out in the correct way.*

 **WARNING** *The life of the operator can be at risk.*



# WARNING

 **WARNING** *Before you operate or carry out any maintenance on this machine YOU MUST READ and STUDY this manual.*

**KNOW** how to safely use the unit's controls and what you must do for safe maintenance. (NB Be sure that you know how to switch the machine off before you switch on, in case you get into difficulty.)

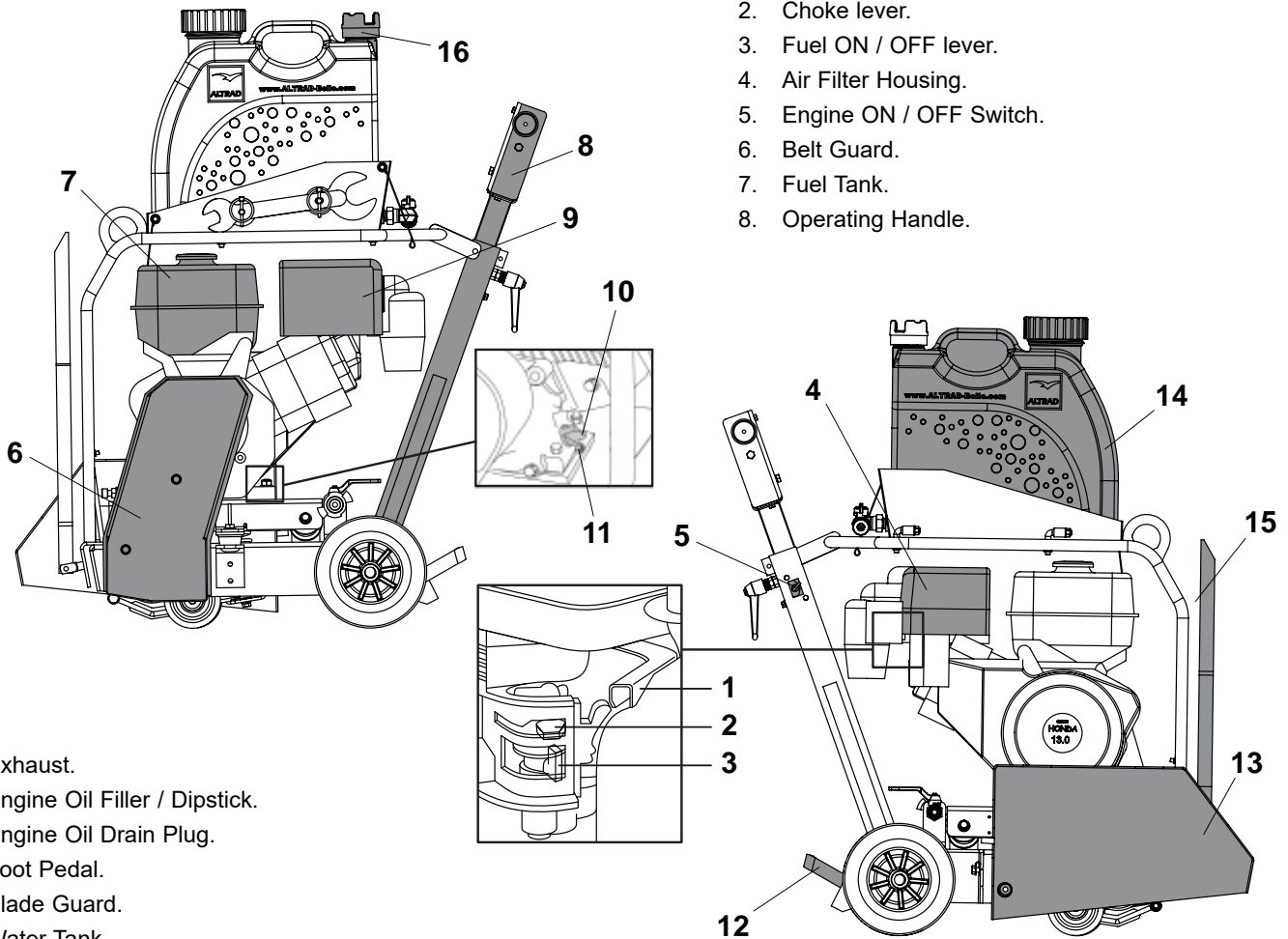
**ALWAYS** wear or use the proper safety items required for your personal protection. If you have **ANY QUESTIONS** about the safe use or maintenance of this unit, ASK YOUR SUPERVISOR OR CONTACT: **ALTRAD BELLE (UK): +44 (0) 1298 84606**



# Contents

How to use this manual.....	6
Warning .....	6
Machine Description.....	7
Technical Data.....	7
General Safety .....	8
Health and Safety.....	8
Decals .....	9 - 10
Environment .....	11
Pre-Start Checks .....	11
Start & Stop Procedure .....	11
Operating Instructions .....	12
Service and Maintenance.....	13
Blade Fitment .....	14
Trouble Shooting Guide .....	14
Warranty.....	15
Replacement Parts.....	15
UKCA Declaration Of Conformity .....	2
CE/EU Declaration Of Conformity .....	3

*Altrad Belle reserves the right to change machine specification without prior notice or obligation.*



1. Throttle lever.
2. Choke lever.
3. Fuel ON / OFF lever.
4. Air Filter Housing.
5. Engine ON / OFF Switch.
6. Belt Guard.
7. Fuel Tank.
8. Operating Handle.

9. Exhaust.
10. Engine Oil Filler / Dipstick.
11. Engine Oil Drain Plug.
12. Foot Pedal.
13. Blade Guard.
14. Water Tank.
15. Pointer Guide.
16. Water Depth Gauge.

## Technical Data

Model	Compact X
Machine Width (mm)	515
Machine Height (mm)	1019
Machine Length (mm)	771
Engine Model	Honda GX 390
Engine Type	Petrol
Motor Power (Hp / kW)	11.8 / 8.7
Machine Weight (Kg)	99
Blade Speed (rpm)	3600
Maximum Cutting Depth (mm)	120
Blade Diameter (mm)	350
Water Tank Capacity (Ltrs)	25
3 Axis Vibration (m/sec <sup>2</sup> )	3.5
Sound Power Level (dB LwA)	110
Suitable Materials for Cutting:-	Concrete, Asphalt



## General Safety

For your own personal protection and for the safety of those around you, please read and ensure you fully understand the following safety information. It is the responsibility of the operator to ensure that he/she fully understands how to operate this equipment safely. If you are unsure about the safe and correct use of the Compact X Floor Saw, consult your supervisor or Altrad Belle.



### **WARNING**

*Improper maintenance can be hazardous. Read and understand this section before you perform any maintenance, service or repairs.*

- **DO NOT** lift this machine single-handedly, either **GET HELP** or use suitable lifting equipment.
- **DO NOT** leave the engine running and unattended.
- **DO NOT** remove or tamper with any guards fitted, they are there for your protection. Always check guards for condition and security, if any are damaged or missing, **DO NOT USE THE FLOOR SAW** until the guard has been replaced or repaired.
- **DO NOT** operate the Compact X Floor Saw when you are ill, feeling tired, or when under the influence of alcohol or drugs.
- **DO NOT** leave the saw unattended with the motor running.
- **DO** cordon off the work area and keep members of the public and unauthorised personnel at a safe distance.
- **DO** all parts of your body away from the cutting blade and any other moving parts.
- **DO** wear Personal Protective Equipment (PPE) whenever operating this equipment. (See Health & Safety).
- **DO** make sure you know how to safely switch this machine **OFF** before you switch it **ON** in case you get into difficulty.
- **DO** switch **OFF** the engine before transporting, moving it around the site or servicing it.
- **DO** allow the engine to cool before touching it because during use it becomes very hot.
- **DO** inspect the blade, flanges and shafts for signs of damage before fitting the new blade.
- **DO** only use blades that are marked with a higher operating speed than the blade shaft speed.
- **DO BEWARE** of Potential Hazards during operation. E.g. Underground Cables & Gas Pipes.

### **Fuel Safety.**

- **DO NOT** smoke or allow naked flames in the area when refuelling.
- **DO NOT** operate petrol engines in an enclosed area unless it is sufficiently ventilated.
- **DO NOT** operate the saw in areas which may contain combustible material. Sparks from the cutting process may cause a fire or explosion.
- **DO** switch off the engine and allow it to cool before refuelling.
- Spilt fuel must be made safe immediately, using sand. If fuel is spilt on your clothes, change them.
- Store fuel in an approved, purpose made container away from heat and ignition sources.



### **WARNING**

*Fuel is flammable. It may cause injury and property damage. Shut down the engine, extinguish all open flames and do not smoke while filling the fuel tank. Always wipe up any spilled fuel.*



## Health And Safety

### **Vibration.**

Some vibration from the floor saw operation is transmitted through the handle to the operator's hands. The Altrad Belle floor saw has been specifically designed to reduce hand/arm vibration levels. Refer to specifications & technical data for vibration levels and usage times (recommended maximum daily exposure time). **DO NOT** exceed the maximum usage times.

### **PPE (Personal Protective Equipment).**

Suitable PPE must be worn when using this equipment i.e. Safety Goggles, Gloves, Ear Defenders, Dust Mask and Steel Toe capped footwear. Wear clothing suitable for the work you are doing. Tie back long hair and remove any jewellery which may catch in the equipment's moving parts.

### **Dust.**

The sawing process will occasionally produce dust, which may be hazardous to your health. Always wear a mask that is suited to the type of dust being produced.

### **Fuel.**

Do not ingest fuel or inhale fuel vapours and avoid contact with your skin. Wash fuel splashes immediately. If you get fuel in your eyes, irrigate with copious amounts of water and seek medical attention as soon as possible.

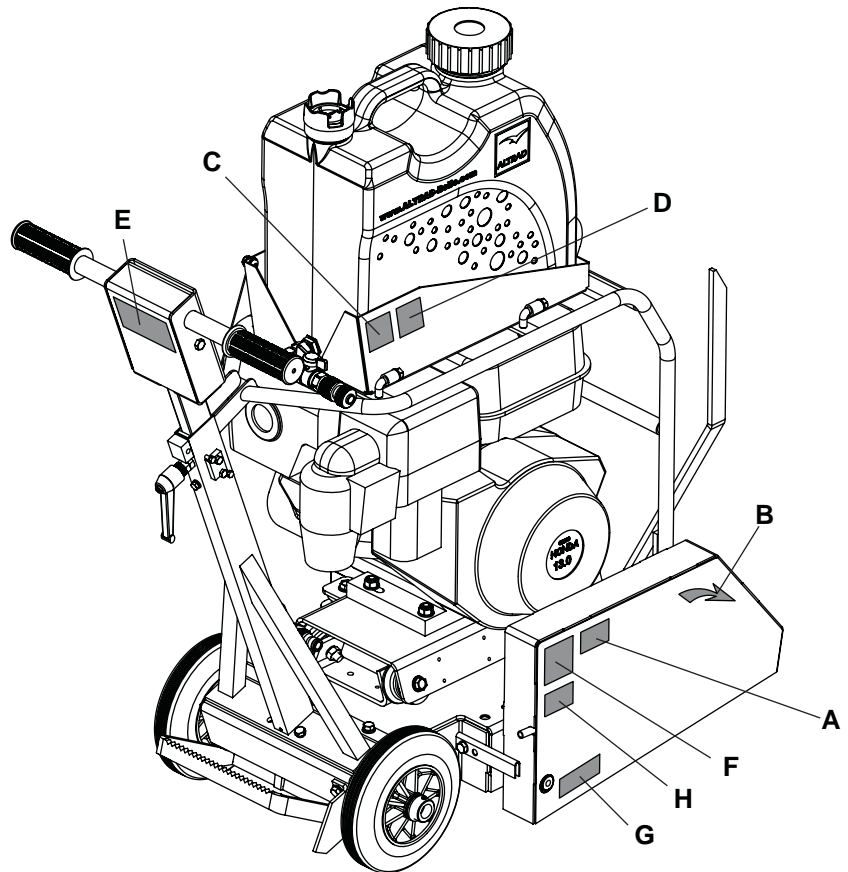
### **Exhaust Fumes.**

Do not operate the Compact X Floor Saw indoors or in a confined space, make sure the work area is adequately ventilated.



### **WARNING**

*The exhaust fumes produced by this equipment are highly toxic and can kill!*



- A. Blade RPM Decal
- B. Blade Pointer Decal
- C. Warning Decal
- D. Noise Decal
- E. Low HAV Decal
- F. Safety Decal
- G. Danger Zone Decal
- H. Blade Safety Decal

#### **A - Blade RPM Decal (19.0.366)**

The Maximum Blade RPM is 3600.

#### **B - Blade Pointer Decal (154.0.047)**

The Blade rotates clockwise.

#### **C - Warning Decal (19.0.375)**

WHEN DRY CUTTING, DUST WILL:-

1. Block Filters and cause premature Engine failure.
2. Pollute the atmosphere.

TO PREVENT THIS:-

1. Use water to dampen the dust down.
2. Ensure that the Water Bottle is full and the Spray System is operational.

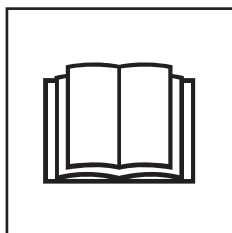
#### **D - Noise Decal (800-99972)**

The Noise Level of the machine during operation is 114 dB(A)

#### **E - Low HAV Decal (800-99874)**

The machine has a UK Patented Design which reduces HAV levels allowing a greater Usage Time.

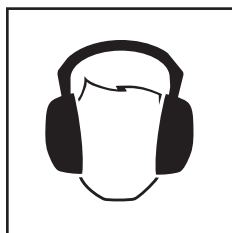
## F - Safety Decal (Part No. 19.0.373)



**Please Read  
Operators Manual**



**Wear Protective  
Footwear**



**Wear Ear  
Protection**



**Wear Eye  
Protection**

## G - Danger Zone Decal (800-99809)



**WARNING**



**Beware of Moving  
Parts**

## H - Blade Safety Decal (800/99395)

Instructions on how to use the Blade safely.

## Safe Disposal.



Instructions for the protection of the environment. The machine contains valuable materials. Take the discarded apparatus and accessories to the relevant recycling facilities.

Component	Material
Handle	Steel
Hand Grips	Rubber
Main Frame	Steel
Petrol Engine	Aluminium
Various Parts	Steel and Aluminium

# Pre-Start Checks

## Pre start-up inspection.

The following Pre-start-up inspection must be performed before the start of each work session or after every four hours of use, whichever is first. Please refer to the service section for detailed guidance. If any fault is discovered, the floor saw must not be used until the fault is rectified.

1. Thoroughly inspect the floor saw for signs of damage. Check components are present and secure. Pay special attention to the blade safety guard.
2. Check fluid lines, hoses filler openings, drain plugs and any other areas for signs of leakage. Fix any leaks before operating.
3. Check the engine oil level and top up as necessary.
4. Check the engine fuel level and top up as necessary.
5. Check for fuel and oil leaks.

# Start & Stop Procedure

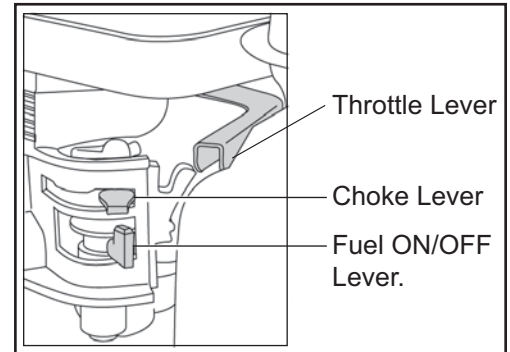


## CAUTION

*Improper maintenance can be hazardous. Read and Understand this section before you perform any maintenance, service or repairs.*

## Honda GX390 Petrol Engine

1. Ensure that the blade is fully raised in the guard by means of the foot pedal.
2. Open the fuel tap by moving the fuel ON / OFF lever fully to the right.
3. If starting the engine from cold, set the choke ON by moving the choke lever fully to the left. If restarting a warm engine, the choke is usually not required, However, if the engine has cooled to a degree, partial choke may be required.
4. Turn the engine ON / OFF switch clockwise to the 'I' position.
5. Set the throttle to the idle position by moving the throttle lever fully to the right.
6. Taking a firm hold of the control handle with one hand, grasp the recoil starter handle with the other. Pull the recoil starter until engine resistance is felt, then let starter return.
7. Taking care not to pull the starter's rope fully out and pull the starter handle briskly.
8. Repeat until the engine fires.
9. Once the engine fires gradually set the choke lever to the OFF Position by moving it to the right.
10. If the engine fails to fire after several attempts, follow the trouble-shooting guide.
11. To stop the engine, fully raise the blade into the guard and set the throttle to idle. Allow the engine to idle for at least 2 minutes
12. Turn the engine ON / OFF switch anti-clockwise to the '0' position.
13. Turn the fuel off.



- **Take the floor saw to where it is required.**

If the floor saw is to be transported to another location, ensure that the blade is fully raised in the guard and that the engine has been switched off. **NEVER** transport the floor saw with the blade lowered or with the engine still running, even if it is only being moved a short distance.

Check that the water outlet valve is closed, then fill the water bottle with clean water. To ensure a steady stream of water, always make sure that the water bottle water level is kept constant.

If a Bowser is used, ensure that the water outlet valve is closed before connecting the supply to the saw. Once connected, use the valve to control the flow of water and to ensure a steady stream of water to the blade.

- **Having carried out the checks listed in the 'pre start' section, you may start the engine.**

The blade should now be spinning at idle speed. **ALWAYS** check the blade for any signs of wobble, vibration or unusual noise. If any of these occur, stop the machine immediately and refer to the troubleshooting section.

- **Set the throttle to maximum, use the control lever to gently lower the blade into the cut and use the depth marker to achieve the required depth of cut.**

The saw will then require gentle forward movement to achieve the cut.

The speed of travel will be determined by the condition of the surface being cut.

**DO NOT** stand in line with the blade and the stream of hot particles whilst sawing.

**NEVER** plunge the blade harshly into the cut.

If the surface to be cut is very hard, the saw will take longer to cut. Try to make more than one pass as this will reduce otherwise excessive wear of the blade.

**DO NOT** try to force the saw forwards as this will cause damage to the blade.

**DO NOT** try to cut curves as this will cause stress cracks or fragmentation of the blade.

- To stop the floor saw, follow the Start / Stop Procedure.

## Maintenance

The Altrad Belle 'Compact X' Floor Saw is designed to give many years of trouble free operation. It is, however, important that the simple regular maintenance listed in this section is carried out. It is recommended that an approved Altrad Belle dealer carries out all major maintenance and repairs. Always use genuine Altrad Belle replacement parts, the use of spurious parts may void your warranty. Before any maintenance is carried out on the machine, switch off the engine. *Petrol engine* - disconnect the HT lead from the sparkplug. Always set the floor saw on level ground to ensure any fluid levels will be correctly read. Only use recommended oils (see chart on following page).

## Running In Period

When the floor saw is first used from new, the engine oil must be changed after the initial running in period (see engine manual for full detail). The belt tension should be checked after 4 hours use. If new belts have been fitted, Check belt tension after the first 30 minutes of use.

## Drive Belt

Remove the belt guard then check the belt tension by placing light finger pressure on the top of the belt, as near central between the engine drive and arbor pulley. The belt should deflect by 4mm. If the belt tension requires adjustment, loosen the engine mounting bolts enough to allow the engine to be moved. Adjust the engine's position by adjusting the tensioning bolt at the front of the machine. Once set, retighten the engine mounting bolts and check the belt tension a second time. Once the belt tension is correct, check the pulley alignment. If the alignment is incorrect, loosen the taperlock bushes and move the pulley to suit. Once the alignment is correct, retighten the taperlock bushes. Finally, replace the belt guard ensuring it is correctly and securely fitted.

Routine Maintenance		After First 4 Hours	First Month / 20 Hours	3 Months / 50 Hours	6 Months / 100 Hours
Engine Oil	Check Level	✓			
	Change		✓		✓
Air Filter	Check Condition		✓		✓
	Clean / Replace			✓	
Spark Plug	Check / Clean				✓
Drive Belt	Tension	✓	✓	✓	

## Oil / Fuel Type & Quantity - Spark Plug Type

	Oil Type	Quantity (Litre)	Fuel Type	Capacity (Litre)	Spark Plug Type	Electrode Gap (mm)
Petrol Honda GX390	S.A.E. 10W 30	1.1	Unleaded	6.4	BM6ES or BPR6ES	0.6 - 0.7

## Removal of Arbor Shaft

1. Remove belt guard, belts, lower taperlock bush and drive key.
2. Tilt machine backwards to allow access to arbor shaft bearings.
3. Heat grubscrews on bearings .
4. Remove the 2 grubscrews on the blade side and the 2 grubscrews on the drive bearing and remove the shaft.
5. Clean and replace arbor shaft and line the groove up on the blade end with the grubscrews.
6. Re-insert grubscrews at both ends and secure using loctite 638.



## CAUTION

*Incorrect fitting of a blade can cause serious injury. Ensure that the fitting instructions are followed. If in any doubt, contact your supervisor or Altrad Belle.*

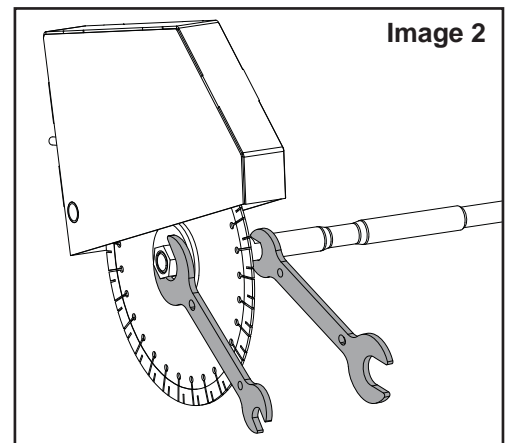
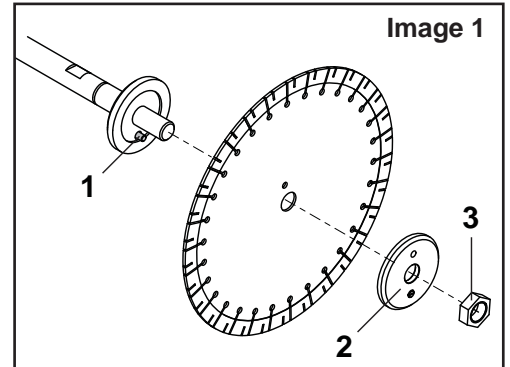


## WARNING

**DO NOT** operate the Floor Saw with the Blade Guard in the raised position. This may caused serious injury.

1. Remove the HT lead from the spark plug.
2. Raise the front of the saw to its maximum height using the foot pedal.
3. Disconnect the water feed pipe from the blade guard.
4. Remove the blade guard by loosening the bolt at the side and lifting the guard up and away from the saw
5. Remove the arbor shaft nut (3) and blade clamping plate (2) using the spanners provided.
6. Check the clamping plate and backing plates for damage or wear. Replace if necessary, and fit the blade as laid down in the **safety codes USA ANSI B7.1, Canada SCA and Great Britain HMSO No. 4.**
7. Clean the flange before mounting the blade.
8. Be sure that the arrow on the blade points in the same direction as the rotation of the tool.
9. Fit a genuine Altrad Belle blade on to the arbor shaft making certain that the blade locates on to the arbor shaft boss and is flush with the flange plate.
10. Replace the clamping plate (2) with the dowel pin (1) passing through the blade into the rear flange plate.
11. Replace the arbor shaft nut (3) and secure firmly using the Spanners provided.
12. Refit the blade guard.
13. Reconnect the HT lead to the spark plug.
14. The machine is now ready to be used.

**NOTE:-** When the Blade is changed, ensure the guard pivot point is sufficiently lubricated.



Problem	Cause	Remedy
<b>Engine will not start.</b>	No fuel.	Open fuel tap. Fill fuel tank.
	Engine switched off.	Switch engine on.
	Spark plug fouled.	Clean and reset plug gap.
	Engine cold.	Close choke.
	Engine flooded.	Honda, open choke, fully open throttle, pull recoil starter until engine fires.
<b>Blade not turning</b>	Belts incorrectly tensioned.	Re-tension belts.
	Belts broken.	Replace belts.
<b>Excessive Noise, Vibration or wobble from blade.</b>	Check condition of arbor shaft bearings.	Replace as necessary.
	Check dowel pin for damage.	Replace dowel pin.
	Check tightness of arbor shaft nut.	Tighten as necessary.
	Check condition of Blade flange.	Replace as necessary.
	Check Blade for signs of damage.	Replace blade.

# Warranty



Your new Altrad Belle Compact 350X Floor Saw is warranted to the original purchaser for a period of one-year (12 months) from the original date of purchase. The Altrad Belle warranty is against defects in design, materials and workmanship.

The following are not covered under the Altrad Belle warranty:

1. Damage caused by abuse, misuse, dropping or other similar damage caused by or as a result of failure to follow assembly, operation or user maintenance instructions.
2. Alterations, additions or repairs carried out by persons other than Altrad Belle or their recognised agents.
3. Transportation or shipment costs to and from Altrad Belle or their recognised agents, for repair or assessment against a warranty claim, on any machine.
4. Materials and/or labour costs to renew, repair or replace components due to fair wear and tear.

The following components are not covered by warranty.

- Drivebelt/s
- Engine air filter
- Engine spark plug

Altrad Belle and/or their recognised agents, directors, employees or insurers will not be held liable for consequential or other damages, losses or expenses in connection with or by reason of or the inability to use the machine for any purpose.

## Warranty Claims

All warranty claims should firstly be directed to Altrad Belle, either by telephone, by Fax, by Email, or in writing.

### For warranty claims:

Tel: +44 (0)1298 84606

Fax: +44 (0)1298 84073

Email : [warranty.dept@altrad-belle.com](mailto:warranty.dept@altrad-belle.com)

### Write to:

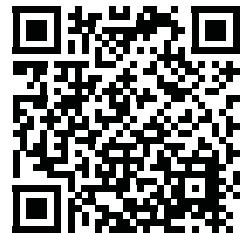
Altrad Belle Warranty Department,  
Sheen, Nr. Buxton,  
Derbyshire,  
SK17 0EU  
England.

### Warranty Registration:

In the bid for ALTRAD Belle to become greener and more eco friendly, we have now introduced online Warranty registration. To access the registration page of our website, please use the following address:-

[http://www.bellegroup.com/index.php?p=warranty\\_registration](http://www.bellegroup.com/index.php?p=warranty_registration)

Alternatively, please scan the adjacent QR Code (Quick Response Code) using your smartphone to access the registration page.



# Replacement Parts



When maintaining this product only the manufacturers original, genuine replacement parts may be used.

The user will lose any possible claims if replacement parts used are other than the makers original replacement parts.

Replacement parts for this product can be ordered online 24 hours a day, 7 days a week at [www.Altrad-Belle247.com](http://www.Altrad-Belle247.com)

For more information regarding the availability of replacement parts for this product, please contact Altrad Belle using the following contact details:-

Tel:- +44 (0)1298 84606

Fax:- +44 (0)1298 84073

Email:- [sales@altrad-belle.com](mailto:sales@altrad-belle.com)

Alternatively, please scan the adjacent QR Code (Quick Response Code) using your smartphone to access the Altrad Belle online parts portal.



Este manual foi elaborado para o ajudar a operar e assistir em segurança as Serras de Pavimentos 'Compact X' da Altrad Belle. Destina-se a todos os revendedores e operadores das Serras de Pavimentos 'Compact X'.

### Conteúdo

O capítulo **“Descrição da Máquina”** ajuda-o a familiarizar-se com os controlos e a configuração da máquina.

O capítulo **“Ambiente”** ensina-lhe o modo de se descartar das peças recicláveis sem agredir o ambiente.

O capítulo de **“Segurança Geral”** e **“Saúde e Segurança”** explicam como utilizar a máquina de modo seguro para Si e para o público em geral.

O capítulo **“Instruções de Operação”** ensina-lhe a montar e a usar correctamente o equipamento.

O guia de **“Avarias”** explica-lhe como proceder no caso de ter um problema técnico.

A secção de **“Assistência e Manutenção”** informa-o da manutenção e assistência geral do equipamento.

O capítulo **“Garantia”** descreve a natureza da cobertura da garantia e procedimentos de reclamação.

A secção **“Declaração de Conformidade”** certifica os padrões a que está sujeito o fabrico do equipamento.

### Directivas respeitantes a notas

Os textos, neste manual, aos quais se deve prestar especial atenção, são apresentados da seguinte forma:



#### **CUIDADO**

*O equipamento pode estar em perigo. A máquina ou o operador podem sofrer danos ou lesões se os procedimentos não forem efectuados de modo correcto.*



#### **AVISO**

*A vida do operador pode estar em perigo.*



#### **AVISO**

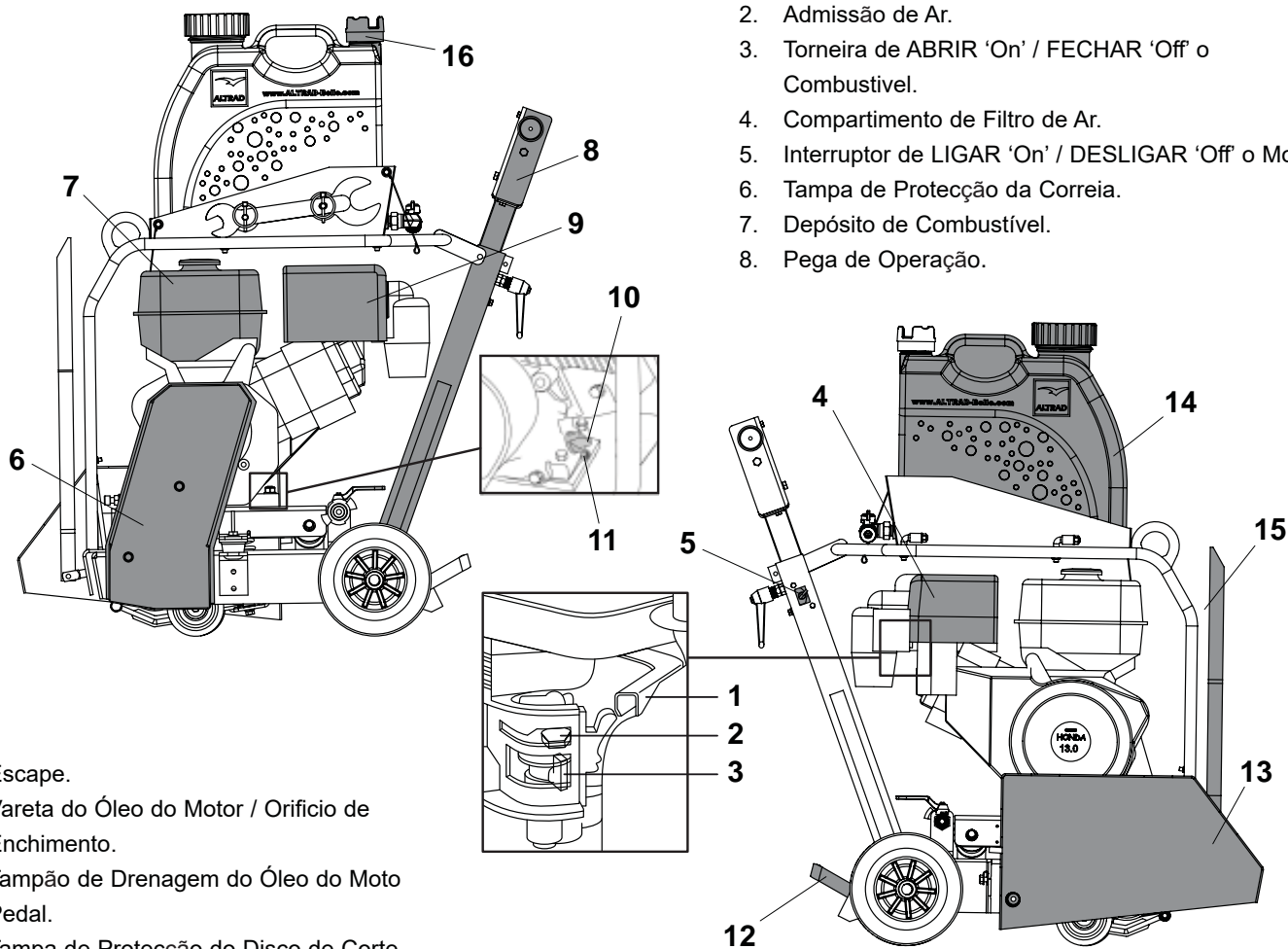
*Antes de operar ou efectuar qualquer trabalho de manutenção nesta máquina **DEVERÁ LER** e **ESTUDAR** este manual.*

**SABER** como trabalhar em segurança com os controlos da máquina e também os procedimentos para uma manutenção em segurança. (Certifique-se que sabe desligar (OFF) a máquina antes de a ligar (ON), para o caso de surgir algum imprevisto).

Vestir ou utilizar **SEMPRE** os equipamentos de segurança apropriados e necessários à sua protecção.

Se tiver **ALGUMA DÚVIDA** acerca da utilização ou manutenção em segurança desta máquina, **CONSULTAR O REVENDEDOR DA ALTRAD BELLE**.

Utilização Deste Manual.....	16
Aviso .....	16
Descrição Da Máquina .....	17
Dados Técnicos.....	17
Etiquetas.....	18
Segurança Geral .....	18
Saúde E Segurança .....	19 - 20
Ambiente .....	21
Verificações Preliminares .....	21
Procedimentos De Arranque E Paragem.....	21
Instruções De Operação .....	22
Assistência E Manutenção .....	23
Montagem Do Disco.....	24
Diagnóstico De Avarias .....	25
Garantia.....	25
Peças de reposição.....	25
Declaração de Conformidade da CE/UE .....	4



1. Acelerador.
2. Admissão de Ar.
3. Torneira de ABRIR 'On' / FECHAR 'Off' o Combustível.
4. Compartimento de Filtro de Ar.
5. Interruptor de LIGAR 'On' / DESLIGAR 'Off' o Motor .
6. Tampa de Protecção da Correia.
7. Depósito de Combustível.
8. Pega de Operação.

9. Escape.
10. Vareta do Óleo do Motor / Orifício de Enchimento.
11. Tampão de Drenagem do Óleo do Moto
12. Pedal.
13. Tampa de Protecção do Disco de Corte.
14. Depósito de Água.
15. Ponteira Guia.
16. Medidor de profundidade de água.

## Dados Técnicos

Modelo	Compact X
Largura da Máquina (mm)	515
Altura da Máquina (mm)	1019
Comprimento da Máquina (mm)	771
Modelo de Motor	Honda GX390
Tipo de Motor	Gasolina
Potência do Motor (Hp/ kW)	11.8 / 8.7
Peso da Máquina (kg)	99
Velocidade do Disco (rpm)	3600
Profundidade Máxima de Corte (mm)	120
Diâmetro do Disco (mm)	350
Capacidade do Depósito de Água (litros)	25
Vibração de 3 Eixos (m/sec <sup>2</sup> )	3,5
Nível de Ruído (dB LWA)	110
Os materiais adequados para o corte:-	Concreto, Asfalto

Para sua segurança e dos que o rodeiam, ler e assegurar-se que compreendeu na totalidade a informação que se descreve neste capítulo. É da responsabilidade do operador assegurar-se que percebeu na íntegra o modo de operar este equipamento em segurança. Se tiver dúvidas de como operar correctamente a Serra de Pavimentos Compact X, consultar o Distribuidor da Altrad Belle.



### AVISO

*Uma manutenção inadequada pode ser perigosa. Ler e Compreender este capítulo antes de efectuar quaisquer trabalhos de manutenção, assistência ou reparação.*

- Esta máquina é pesada e não se deve tentar levantar só com uma mão. **PEDIR AJUDA** ou utilizar um equipamento de içar adequado.
- **NUNCA DEIXAR** o motor a trabalhar sem vigilância.
- Não retirar ou modificar qualquer das protecções que estão montadas. Estas são para sua segurança. Verificar sempre o estado e a fixação das mesmas. Se estiverem danificadas ou em falta, **NÃO USAR A SERRA DE PAVIMENTOS** até a protecção ter sido reparada ou reposta.
- Não operar a **SERRA DE PAVIMENTOS COMPACT X** se estiver doente, se se sentir cansado ou se estiver debaixo da influência de álcool ou drogas.
- **NUNCA DEIXAR** a serra sem vigilância com o motor a trabalhar.
- **DELIMITAR** a área de trabalho e manter o pessoal não autorizado e o público em geral a uma distância de segurança.
- **NÃO APROXIMAR** quaisquer partes do corpo do disco de corte ou de quaisquer outras peças móveis.
- O operador deverá usar o **Equipamento de Segurança Pessoal (PPE)** sempre que esteja a operar este equipamento (consultar capítulo **Saúde e Segurança**).
- Certifique-se que sabe **DESLIGAR (OFF)** a máquina antes de a **LIGAR (ON)**, para o caso de surgir algum imprevisto.
- Desligar **SEMPRE** o motor da máquina antes de a transportar, de a mover no local de trabalho ou de a assistir.
- Durante a utilização da máquina, o motor aquece muito. **PERMITIR** que este arrefeça, antes de lhe tocar.
- Certificar-se que **NÃO** há sinais de danos no disco, nas flanges ou nos eixos antes de montar um novo disco.
- **SÓ UTILIZAR** discos de corte marcados para trabalhar a uma velocidade de operação superior à velocidade do veio do disco.

### Abastecimento em Segurança.

- **NÃO** fumar ou permitir chama nua na área quando está a abastecer a máquina de combustível.
- **NÃO** operar motores a gasolina em espaços confinados a menos que estes estejam adequadamente ventilados.
- **NÃO** operar a Serra de Pavimentos em locais que possam ter materiais combustíveis. As faíscas produzidas no processo de corte podem originar um incêndio ou explosão.
- Antes de abastecer, **DESLIGAR** o motor e permitir que este arrefeça.
- Deve-se deitar areia sobre o combustível derramado por segurança. Se salpicou o vestuário com combustível, deverá mudar-se.
- Armazenar o combustível num recipiente aprovado e construído para esse efeito, longe do calor ou quaisquer fontes de ignição.



### AVISO

*O combustível é inflamável. Pode causar danos materiais e/ou pessoais. Antes de abastecer, desligar o motor, apagar qualquer chama nua das imediações e não fumar ou foguear durante a transferência para o depósito. Limpar sempre o combustível derramado.*

### Vibração

Alguns da vibração produzida na operação da serra de pavimentos é transmitida pela pega às mãos do operador. As serras de pavimentos da Altrad Belle foram especialmente concebidas para reduzir os níveis de vibração nas mãos e nos braços. Consultar os dados técnicos e especificações para informações sobre níveis de vibração e tempo de utilização. **NÃO** exceder o tempo de utilização máximo recomendado.

### Equipamento de Protecção Pessoal (PPE)

Deve-se usar equipamento de protecção pessoal adequado quando se utiliza esta máquina, por ex. Óculos de Segurança, Luvas, Protectores Auriculares, Máscara de Poeiras e Botas com Biqueira de Aço. Também o vestuário deverá ser o adequado para o trabalho que irá efectuar. Dever-se-á prender o cabelo comprido e retirar as jóias que poderão eventualmente ficar presas nas peças rotativas da máquina.

### Poeiras

O processo de corte ocasionalmente produzirá poeiras, que podem ser perigosas para a saúde. Usar sempre uma máscara apropriada para o tipo de poeiras que está a ser produzido.

### Combustível

Não ingerir combustível ou inalar os vapores do mesmo. Evitar o contacto com a pele. Limpar imediatamente os salpicos de combustível. Se este foi para os olhos, irrigá-los com água abundante e consultar prontamente um médico.

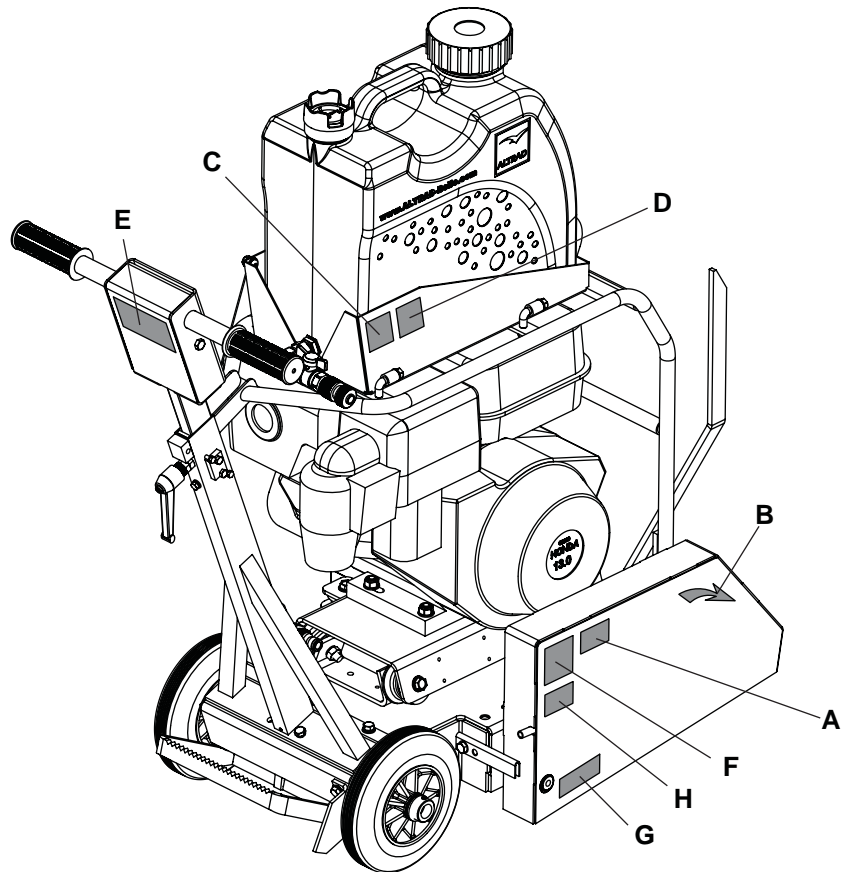
### Gases de Escape

Não operar a Serra de Pavimentos Compact X em recintos fechados ou em áreas restritas. Certifique-se que o local de trabalho tem uma ventilação adequada.



### AVISO

*Os gases de escape produzidos por este equipamento são extremamente tóxicos e podem causar a morte!*



## **A - Etiqueta de Rotações p/minuto do Disco (19.0.366)**

A rotação máxima do disco é 3600 por minuto.

## **B - Etiqueta da Direcção de Rotação do Disco (154.0.047)**

O disco roda no sentido dos ponteiros do relógio.

## **C - Etiqueta de Aviso (19.0.375)**

QUANDO SE CORTA A SECO, A POEIRA GERADA IRÁ:

1. Entupir os filtros e causar uma avaria prematura no motor.
2. Poluir a atmosfera.

PARA EVITAR ISTO:

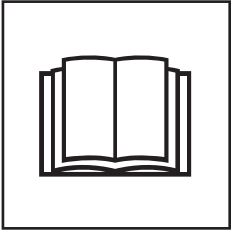
1. Usar água para fazer descer a poeira que está no ar.
2. Certificar-se que o Depósito de Água está cheio e o Sistema de Pulverização operacional.

## **D - Etiqueta de Níveis Sonoros (800-99972)**

O nível sonoro da máquina durante a operação é de 114 dB(A).

## **E - Etiqueta de Níveis de Transmissão de Vibração às Mãos (BAIXO) (800-99874)**

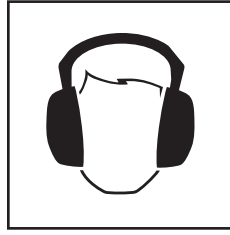
O desenho desta máquina está patenteado em Inglaterra e contempla uma redução dos níveis de transmissão das vibrações ao operador permitindo um Tempo de Utilização maior.

**F - Etiqueta de segurança de lâmina (Peça Nº 19.0.373)**

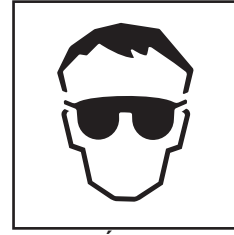
Ler o Manual de  
Operação



Usar Calçado de  
Protecção



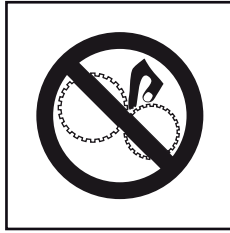
Usar Protectores  
Auriculares



Usar Óculos de  
Segurança

**G - Etiqueta de Zona Perigosa (800-99809)**

AVISO



Cuidado com as  
peças móveis

**H - Blade Safety Decal (800/99395)**

Instruções sobre como usar a lâmina com segurança.

## Descartar em Segurança



Instruções para protecção do ambiente. A máquina contém materiais valiosos. Levar as peças e acessórios a descartar aos centros de reciclagem autorizados.

Componente	Material
Pega	Aço
Punhos	Borracha
Chassis	Aço
Motor a Gasolina	Alumínio
Peças Variadas	Aço, Alumínio e Borracha

# Verificações Preliminares

## Inspecções Preliminares

Só se deve ligar a máquina depois de realizadas as verificações que abaixo se descrevem, antes do início de cada sessão de trabalho e a cada quatro horas de utilização. Consultar o capítulo de Assistência para informação detalhada. Se se descobrir alguma avaria, a serra de pavimentos não deve ser usada até essa avaria estar reparada.

1. Inspecionar cuidadosamente se na serra de pavimentos existem sinais de danos. Verificar se não falta nenhum componente e respectivas fixações. Prestar uma atenção especial à protecção de segurança do disco.
2. Verificar que não existem fugas nas linhas dos fluidos, nos tampões de enchimento, de drenagem e em quaisquer outras zonas. Caso contrário, reparar as fugas antes de operar com a máquina.
3. Verificar o nível de óleo do motor. Se necessário, atestar.
4. Verificar o nível de combustível do motor. Se necessário, atestar.
5. Verificar se existem fugas de combustível ou de óleo.

# Procedimentos de Arranque e Paragem

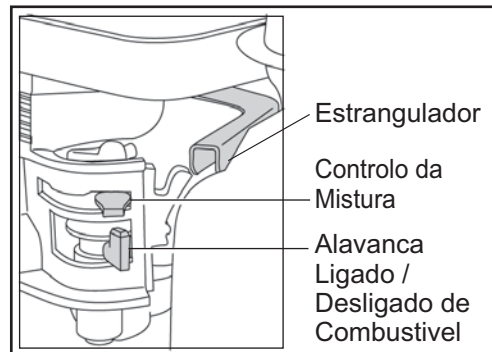


## CUIDADO

Uma manutenção incorrecta pode ser perigosa. Ler e Compreender este capítulo antes de efectuar qualquer trabalho de manutenção, assistência ou de reparação.

## Motor Honda GX390 a gasolina

1. Certificar-se que o disco está totalmente levantando e dentro da protecção. Usar o pedal, se necessário.
2. Abrir a admissão de combustível, movendo a alavanca de combustível completamente para a direita.
3. Se o motor estiver frio, fechar completamente a admissão de ar movendo a respectiva alavanca completamente para a esquerda. Se o motor estiver quente, não será necessário fechar a admissão de ar mas eventualmente poderá ser preciso mover a alavanca de admissão de ar metade do curso.
4. Rodar (sentido dos ponteiros do relógio) o interruptor do motor para a posição de ligar (I).
5. Colocar o acelerador na posição de neutro, movendo-o completamente para a direita.
6. Segurar firmemente a pega de controlo com uma mão e com a outra segurar a pega do arranque por cabo. Puxá-la devagar até sentir resistência. Recolocar a pega do arranque por cabo na sua posição original.
7. Puxar rapidamente a pega do arranque por cabo. Ter atenção para não puxar totalmente para fora o cabo.
8. Repetir até o motor pegar.
9. Depois do motor ter pegado, ir movendo gradualmente para a direita a alavanca de admissão de ar até esta ficar totalmente na posição OFF.
10. Se o motor não pegar depois de várias tentativas, consultar e seguir as directrizes do guia de diagnóstico de avarias.
11. Para parar o motor, levantar completamente o disco para dentro da sua protecção e o acelerador para a posição neutra e permitir que o motor trabalhe em vazio pelo menos 2 minutos.
12. Rodar (sentido contrário aos ponteiros do relógio) o interruptor do motor para a posição de desligar (O).
13. Fechar a torneira de combustível.



- **Transporte da serra de pavimentos para o local de trabalho**

Antes de transportar a serra de pavimentos, assegure-se que o disco está totalmente subido para dentro da protecção e que o motor está desligado. NUNCA transportar a serra de pavimentos com o disco descido ou com o motor ainda a trabalhar, mesmo que seja para a mover uma distância pequena.

Verificar se a válvula de saída da água está fechada e seguidamente atestar o respectivo depósito com água limpa. Para garantir um caudal uniforme, certifique-se sempre que o nível é mantido constante.

Se for usado um depósito de água externo, certificar-se que a válvula de saída da mesma está fechada antes de o ligar à serra. Uma vez ligado, utilizar a válvula para controlar o caudal de modo a manter um fornecimento constante de água ao disco.

- **Depois de se terem efectuado as verificações descritas no capítulo Verificações Preliminares, pode-se ligar o motor.**  
O disco deverá estar a rodar em vazio. Verificar sempre no disco se não existem sinais de oscilação, vibração ou ruídos anormais. Se algum destes factores ocorrer, parar imediatamente a máquina e consultar o capítulo de diagnóstico de avarias.
- **Regular o acelerador para o máximo, utilizar a alavanca de controlo para baixar suavemente o disco na zona de corte e usar o marcador para obter a profundidade requerida de corte.**

Para se obter o corte, dever-se-á ajudar a serra com um movimento suave para a frente.

A velocidade de deslocação será determinada pelo estado da superfície que está a ser cortada.

**NÃO** ficar alinhado com o disco e com as partículas quentes que saltam durante a operação de corte.

**NUNCA** colocar o disco bruscamente na zona de corte.

Se a superfície a cortar for muito dura, a serra demorará mais tempo a efectuar o corte. Se este for feito em várias passagens, reduzir-se-á o excessivo desgaste do disco que em caso contrário ocorreria.

**NÃO** forçar a serra para a frente pois isso causará danos no disco.

**NÃO** tentar cortar sem ser em linha recta, por que provocará fissuras de cansaço ou a quebra do disco.

- Para parar a serra, seguir os procedimentos de Arranque / Paragem.

## Manutenção

A Serra de Pavimentos Compact X da Altrad Belle foi concebida para proporcionar muitos anos de operação sem problemas. No entanto, é importante que a manutenção regular simples descrita nesta secção seja realizada. Recomenda-se que um agente autorizado da Altrad Belle execute todas as principais operações de manutenção e reparação. Utilize sempre peças de substituição genuínas da Altrad Belle; a utilização de peças não originais pode invalidar a garantia do equipamento. Antes da realização de qualquer serviço de manutenção na máquina, desligue o motor. Se trabalhar com uma máquina com motor a gasolina, retirar o cachimbo da vela de ignição. Coloque sempre a serra de pavimentos ao nível do solo para garantir que quaisquer níveis de fluidos serão lidos correctamente. Utilize apenas óleos recomendados (consulte o quadro na página seguinte).

## Período de Rodagem

Quando utilizar a Serra de Pavimentos pela primeira vez, o óleo do motor tem de ser mudado depois do período de rodagem inicial (consulte o manual do motor para informação suplementar). A tensão da correia deve ser verificada após 4 horas de utilização. Quando colocar uma nova correia, dever-se-á verificar a tensão da mesma após os primeiros 30 minutos de utilização.

## Correia de Transmissão

Retire a protecção da correia e depois verifique a tensão da mesma imprimindo-lhe uma ligeira pressão com os dedos, de forma mais central possível entre a transmissão do motor e o veio da polia. A correia deverá deflectir 4 mm. Se necessitar de regular a tensão da correia, desaperte os parafusos de fixação do motor o suficiente para o conseguir deslocar. Ajuste a posição do motor rodando os parafusos de tensionamento na parte da frente da máquina. Uma vez afinado, volte a apertar os parafusos de fixação do motor e verifique a tensão da correia. De seguida, verifique o alinhamento da polia. Se este estiver incorrecto, desaperte os casquilhos de fecho cónicos e desloque a polia para ajustar. Assim que a polia estiver alinhada, volte a apertar os casquilhos de fecho cónicos. Por fim, recoloca a protecção da correia, certificando-se de que está instalada de forma correcta e segura.

# Assistência e Manutenção

Manutenção de rotina		Depois das primeiras 4 horas	Primeiro mês / 20 horas	3 Meses / 50 Horas	6 Meses / 100 Horas
Óleo do Motor	Verificar o nível	✓			
	Mudar		✓		✓
Filtro de Ar	Examinar o estado		✓		✓
	Limpar / Substituir			✓	
Vela de ignição	Verificar / Limpar				✓
Correia da Transmissão	Tensionar	✓	✓	✓	

## Quantidade e Tipo de Óleo / Combustível – Tipo de Vela de Ignição

	Tipo de Óleo	Quantidade (Litros)	Tipo de Combustível	Capacidade (Litros)	Tipo de Vela de Ignição	Abertura do Eléctrodo (mm)
Motor Honda GX390 a Gasolina	S.A.E. 10W 30	1.1	Gasolina sem Chumbo	6.4	BM6ES or BPR6ES	0.6 - 0.7

## Remoção do Veio do Eixo

1. Retire a protecção da correia, as correias, o casquilho inferior de fecho cónico e a chaveta de transmissão.
2. Incline a máquina para trás para permitir o acesso aos rolamentos do veio do eixo.
3. Aqueça os parafusos de pressão nos rolamentos.
4. Retire os 2 parafusos de pressão no lado do disco e os 2 parafusos de pressão no rolamento de transmissão e retire o eixo.
5. Substitua o veio do eixo e alinhe a ranhura na extremidade do disco com os parafusos de pressão.
6. Volte a inserir os parafusos de pressão em ambas as extremidades e fixe utilizando loctite 638.

**CUIDADADO**

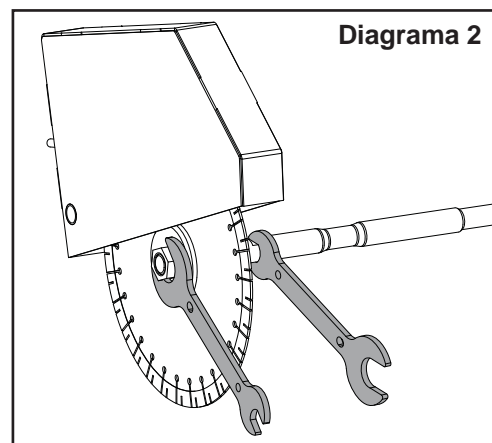
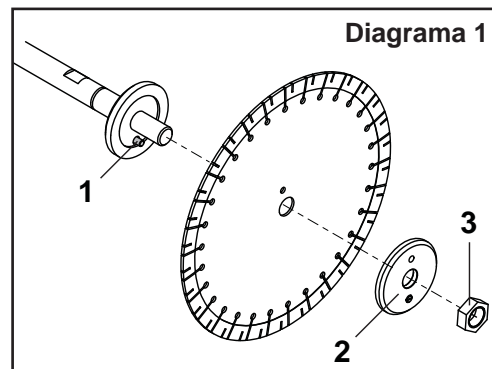
Uma montagem incorrecta do disco pode causar lesões graves. Assegure-se que segue as instruções de montagem. No caso de qualquer dúvida, contactar o Representante da Altrad Belle.

**CUIDADADO**

**NÃO** opere a serra do piso com a protecção da lâmina na posição levantada. Isso pode causar ferimentos graves.

1. Retirar o cachimbo da vela de ignição.
2. Subir a frente da serra até à sua altura máxima utilizando o pedal.
3. Desligar o tubo de alimentação de água da protecção da correia.
4. Desapertar o parafuso colocado na parte lateral da protecção da correia e depois levantá-la para cima ao mesmo tempo que a afasta da serra para a retirar.
5. Retirar a porca do veio (3) e a placa de sujeição (2) utilizando a chave fornecida.
6. Verificar se existem danos ou desgaste tanto na placa de aperto como nas placas posteriores. Se necessário, substituí-las.
7. Limpar a flange antes de encaixar o disco.
8. Certificar-se que a seta desenhada no disco aponta na mesma direcção da rotação da ferramenta.
9. Montar um disco original da Altrad Belle no veio certificando-se que este fica colocado no cubo do eixo e está alinhado com a flange.
10. Recolocar a placa de sujeição (2) no perno de encaixe (1) passando-o pelo disco e placa posterior.
11. Repor a porca do veio (3) e apertar firmemente.
12. Recolocar a protecção do disco.
13. Colocar o cachimbo na vela de ignição.
14. A máquina está pronta a ser usada.

**NOTA:** - Quando a lâmina é alterado, garantir o ponto pivot de guarda é suficientemente lubrificadas.



Avaria	Causa	Solução
O motor não pega	O combustível não chega ao motor.	Abrir a torneira de combustível. Encher o depósito de combustível.
	O motor está desligado	Ligar o interruptor do motor.
	Vela de ignição está suja.	Limpar, verificar e regular a abertura do eléctrodo.
	O motor está frio	Fechar a admissão de ar.
	O motor está afogado.	Honda, Abrir a admissão de ar, pôr a alavanca do acelerador no máximo e puxar o cabo do arranque até o motor começar a trabalhar
O disco não roda	Tensionamento incorrecto das correias	Tensionar de novo as correias.
	As correias estão partidas	Substituir as correias.
Demasiado ruído, vibração ou oscilação do disco.	Examinar o estado dos rolamentos do veio.	Substituir, se necessário.
	Verificar se o perno de encaixe do disco está danificado.	Substituir o perno de encaixe, se necessário.
	Verificar o aperto da porca do veio.	Apertar, se necessário.
	Verificar o estado da flange do disco.	Substituir, se necessário.
	Ver se o disco está danificado.	Substituir o disco.

A sua nova Serra de Pavimentos Compact X da Altrad Belle é garantida ao comprador original pelo período de um ano (12 meses) a contar da data da compra. A garantia da Altrad Belle cobre todos os defeitos de concepção, materiais e mão-de-obra.

A garantia Altrad Belle não cobre:

1. Prejuízos causados pelo abuso, má utilização, quedas ou actos similares resultantes do incumprimento das instruções de manutenção, operação e montagem.
2. Alterações, incorporações ou reparações realizadas por pessoal não qualificado pela Altrad Belle.
3. Custos de embalagem e transporte de ou para a Altrad Belle ou seus Distribuidores autorizados para reparação ou orçamento de qualquer máquina em garantia.
4. Os custos de material e/ou mão-de-obra para renovar, reparar ou substituir componentes devido a desgaste normal.

Os seguintes componentes não são abrangidos pela garantia:

- Correia(s) de transmissão
- Filtro de ar do motor
- Vela de ignição do motor

A "Altrad Belle" e/ou os seus agentes autorizados, directores, empregados ou seguradores não serão considerados responsáveis por danos, perdas ou despesas, consequentes ou outros, relativos ou devido a incapacidade de usar a máquina para qualquer finalidade.

### Reclamações de Garantia.

Todas as reclamações de garantia deverão ser primeiramente dirigidas ao Altrad Belle, por telefone, fax, E-mail ou por escrito.

### Reclamações de Garantia.

Tel : +44 (0)1298 84606,

Fax : +44 (0)1298 84073,

Email : [warranty.dept@altrad-belle.com](mailto:warranty.dept@altrad-belle.com)

### Para reclamações de garantia:

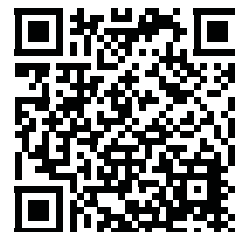
Altrad Belle Departamento de Garantias,  
Sheen, Nr. Buxton  
Derbyshire  
SK17 0EU  
Inglaterra

### Registo de Garantia:

Seguindo o compromisso que assumiu para ser mais ecológica e respeitadora do ambiente, a ALTRAD Belle acaba de lançar o registo online da Garantia. Para aceder à página de registo do website, utilize o seguinte endereço:-

[http://www.bellegroup.com/index.php?p=warranty\\_registration](http://www.bellegroup.com/index.php?p=warranty_registration)

Em alternativa, também pode digitalizar o Código QR (código de resposta rápida) com o seu smartphone para aceder à página de registo.



# Peças de Reposição

Ao fazer a manutenção deste produto, apenas peças de reposição originais e genuínas do fabricante podem ser usadas.

O usuário perderá quaisquer reclamações possíveis se as peças de reposição usadas forem outras que não as peças de reposição originais do fabricante.

Um PDF com as listagens de peças para este produto pode ser encontrado na seção 'produto' do nosso site [www.Altrad-Belle.com](http://www.Altrad-Belle.com). Informações sobre a compra de peças de reposição de seu distribuidor local podem ser encontradas na seção 'entre em contato conosco'



BELLE  
LIGHT  
CONSTRUCTION  
EQUIPMENT

### **Altrad Belle**

Sheen, Nr. Buxton, Derbyshire, SK17 0EU, GB

Tel. +44 (0)1298 84606 - Fax +44 (0)1298 84722 - Email: [sales@altrad-belle.com](mailto:sales@altrad-belle.com)

[www.Altrad-Belle.com](http://www.Altrad-Belle.com)

### **EU IMPORTER ADDRESS**

*ADRESSE DE L'IMPORTATEUR - DIRECCIÓN DEL IMPORTADOR - ENDEREÇO DO IMPORTADOR - ADRES IMPORTEUR  
IMPORTØRENS ADRESSE - IMPORTEUR ADRESSE - INDIRIZZO DELL'IMPORTATORE - IMPORTÖRENS ADRESS - IMPORTØRADRESSE  
MAAHANTUOJAN OSOITE - ADRES IMPORTERA - IMPORTIJA AADDRESS - IMPORTÉTĀJA ADRESE - IMPORTUOTOJO ADRESAS  
ADRESA DOVOZCE - ADRESA IMPORTATORULUI - IMPORTÓR CÍME - ADRESA UVOZNIKA - İTHALATÇI ADRESİ - ADRESA DOVOZCU*

### **Altrad Investment Authority SAS:**

150 Rue Le Pérugin, 34000 Montpellier, France

Tel. +33 (0) 4 67 50 53 66 - Email: [admin@altrad.com](mailto:admin@altrad.com)

[www.altrad.com](http://www.altrad.com)