



BELLE
LIGHT
CONSTRUCTION
EQUIPMENT

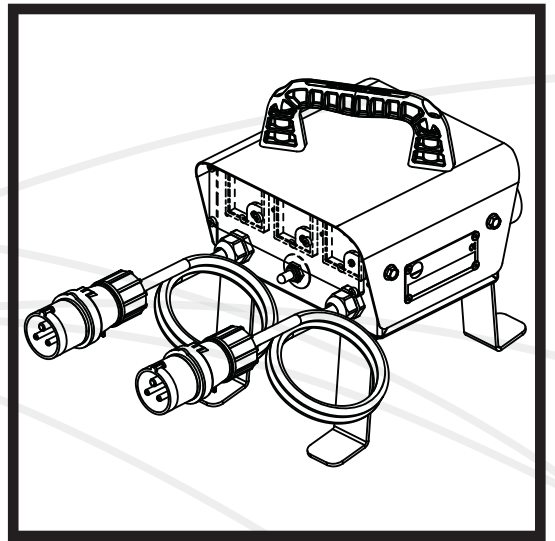


Altrad-Belle.com

GPX TEST UNIT

GB Operators Manual

4



2

UKCA Declaration of Conformity

3

EU Declaration of Conformity

Declaration Of Conformity (DOC)

We, **Altrad Belle, Sheen, Nr. Buxton, Derbyshire, SK17 0EU, GB** declare that the DoC is issued under our sole responsibility and belongs to the followings product(s):



PRODUCT TYPE

MODEL.....

SERIAL No.....

DATE OF MANUFACTURE

SOUND POWER LEVEL
MEASURED /
.....(GUARANTEED)

WEIGHT.....



Object of the Declaration:

Portable dual-voltage tester designed to offer easy voltage, frequency and amp readings from a Generator output.

The object of the declaration described above is in conformity with the relevant **Statutory Requirements:**

- **2016 No. 1101** Electrical Equipment (Safety) Regulations 2016
- **2016 No. 1091** Electromagnetic Compatibility Regulations 2016
- **2012 No. 3032** The Restriction of the Use of Certain Hazardous Substances in Electrical and Electronic Equipment Regulations 2012

The following designated standards and technical specifications have been applied:

- **BS EN 61010** Safety requirements for electrical equipment for measurement, control and laboratory use.
- **BS EN 61326-1:2013** Electrical equipment for measurement, control and laboratory use. EMC requirements. General requirements.

Technical Files are held by **Mark Pickard** at the Altrad Belle address stated above:-

Place of Declaration:-

Sheen,
Nr. Buxton,
Derbyshire,
SK17 0EU,
UK

Date of Declaration:-

April 2026

Signed by:

Mark Pickard

Managing Director
On behalf of Altrad Belle
Sheen, Derbyshire, UK

We, **Altrad Belle, Sheen, Nr. Buxton, Derbyshire, SK17 0EU, GB** declare that the DoC is issued under our sole responsibility and belongs to the followings product(s):



PRODUCT TYPE
MODEL.....
SERIAL No.....
DATE OF MANUFACTURE
SOUND POWER LEVEL
MEASURED /
.....(GUARANTEED)
WEIGHT.....

[Empty dashed box for product details]

Object of the Declaration:

Portable dual-voltage tester designed to offer easy voltage, frequency and amp readings from a Generator output.

The object of the declaration described above is in conformity with the relevant **Union Harmonisation Legislation:**

- **2014/35/EU** Low Voltage Directive
- **2014/30/EU** Electromagnetic Compatibility Directive
- **2011/65/EU** Restriction of the Use of certain Hazardous Substances in Electrical and Electronic Equipment (RoHS) Directive 2002/95/EC

The following harmonised standards and technical specifications have been applied:

- **BS EN 61010** Safety requirements for electrical equipment for measurement, control and laboratory use.
- **BS EN 61326-1:2013** Electrical equipment for measurement, control and laboratory use. EMC requirements. General requirements.

Technical Files are held by **Armand Ternel** at the following address:-
Altrad Investment Authority SAS: 150 Rue Le Pérugin, 34000 Montpellier, France.

Place of Declaration:-

Sheen,
Nr. Buxton,
Derbyshire,
SK17 0EU,
UK

Signed by:

Mark Pickard

Managing Director
On behalf of Altrad Belle
Sheen, Derbyshire, UK

Date of Declaration:-

March 2026



How To Use This Manual

This manual has been written to help you operate and service the GPX Test Unit safely. This manual is intended for dealers and operators of the GPX Test Unit.

Foreword

The '**Machine Description**' section helps you to familiarise yourself with the machine's layout and controls.

The '**Environment**' section gives instructions on how to handle the recycling of discarded apparatus in an environmentally friendly way.

The '**General Safety**' section explains how to use the machine to ensure your safety and the safety of the general public.


The '**Servicing**' section is to help you with the general maintenance and servicing of your machine.


The '**Warranty**' Section details the nature of the warranty cover and the claims procedure.

The '**CE certificate**' section shows the standards that the machine has been built to.

Directives with regard to the notations.


Text in this manual to which special attention must be paid are shown in the following way:

 **CAUTION** *The product can be at risk. The machine or yourself can be damaged or injured if procedures are not carried out in the correct way.*

 **WARNING** *The life of the operator can be at risk.*



WARNING

 **WARNING** *Before you operate or carry out any maintenance on this machine **YOU MUST READ** and **STUDY** this manual.*

KNOW how to safely use the unit's controls and what you must do for safe maintenance. (NB Be sure that you know how to switch the machine off before you switch on, in case you get into difficulty.)

ALWAYS wear or use the proper safety items required for your personal protection. If you have **ANY QUESTIONS** about the safe use or maintenance of this unit, ASK YOUR SUPERVISOR OR CONTACT: **Altrad Belle (UK): +44 (0) 1298 84606**

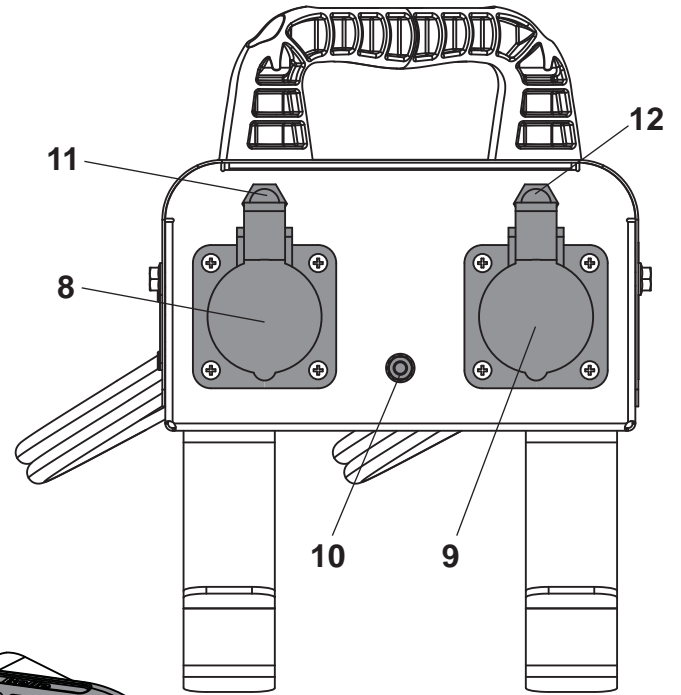


Contents

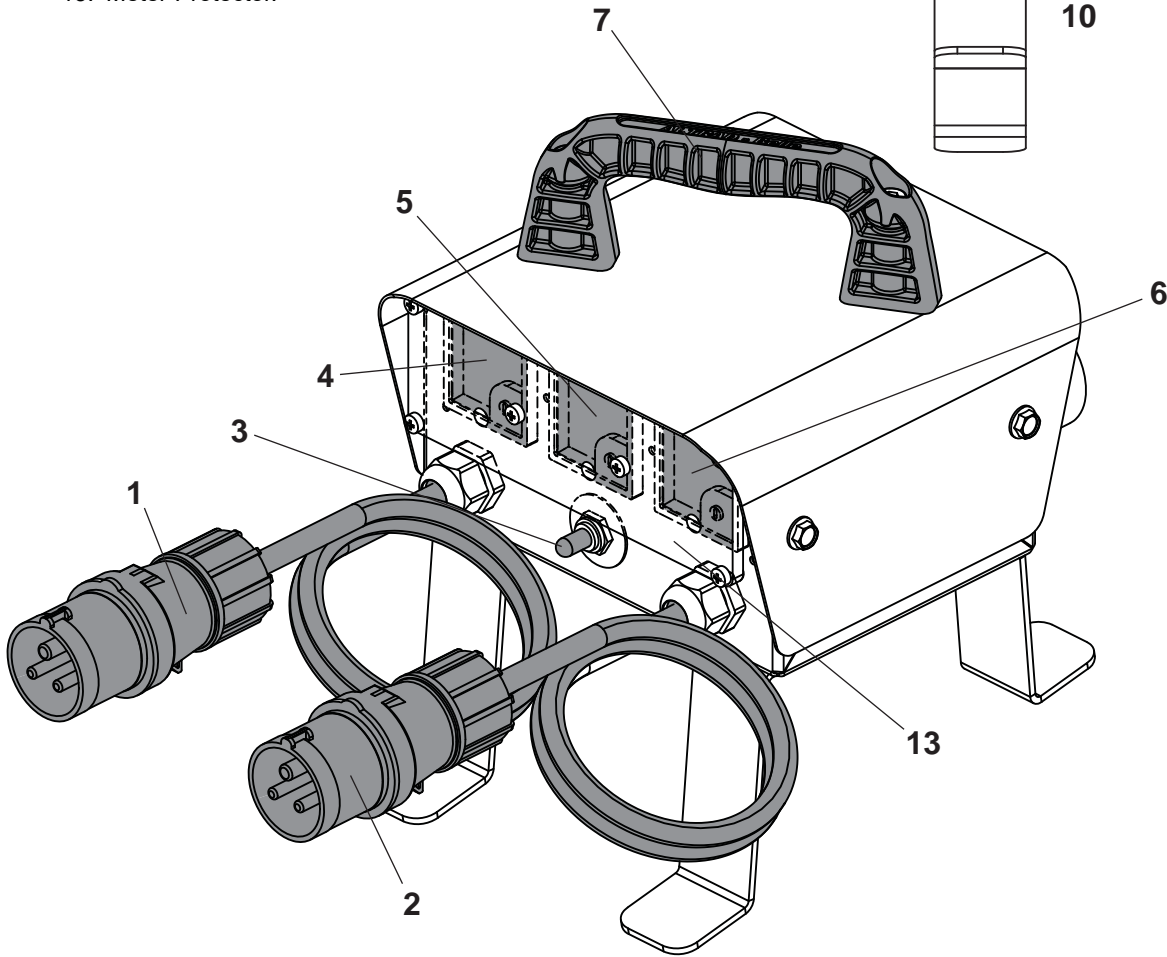
How to use this manual	4
Warning	4
Machine Description	5
Environment	5
Technical Data	6
General Safety	7
Operating Instructions	8
Servicing	9
Warranty	9
Replacement Parts.....	9
UKCA Declaration of Conformity.....	2
EU Declaration of Conformity.....	3

Altrad Belle reserves the right to change machine specification without prior notice or obligation.

Test Unit Rear View



1. 110v Input Plug / Cable
2. 230v Input Plug / Cable.
3. Voltage Selector (115v / OFF / 230v).
4. Voltage Meter.
5. Frequency Meter (Hz).
6. Amp Meter.
7. Carry Handle.
8. 230v Output Socket.
9. 110v Output Socket.
10. Earth.
11. 230v Circuit Breaker.
12. 110v Circuit Breaker
13. Meter Protector.



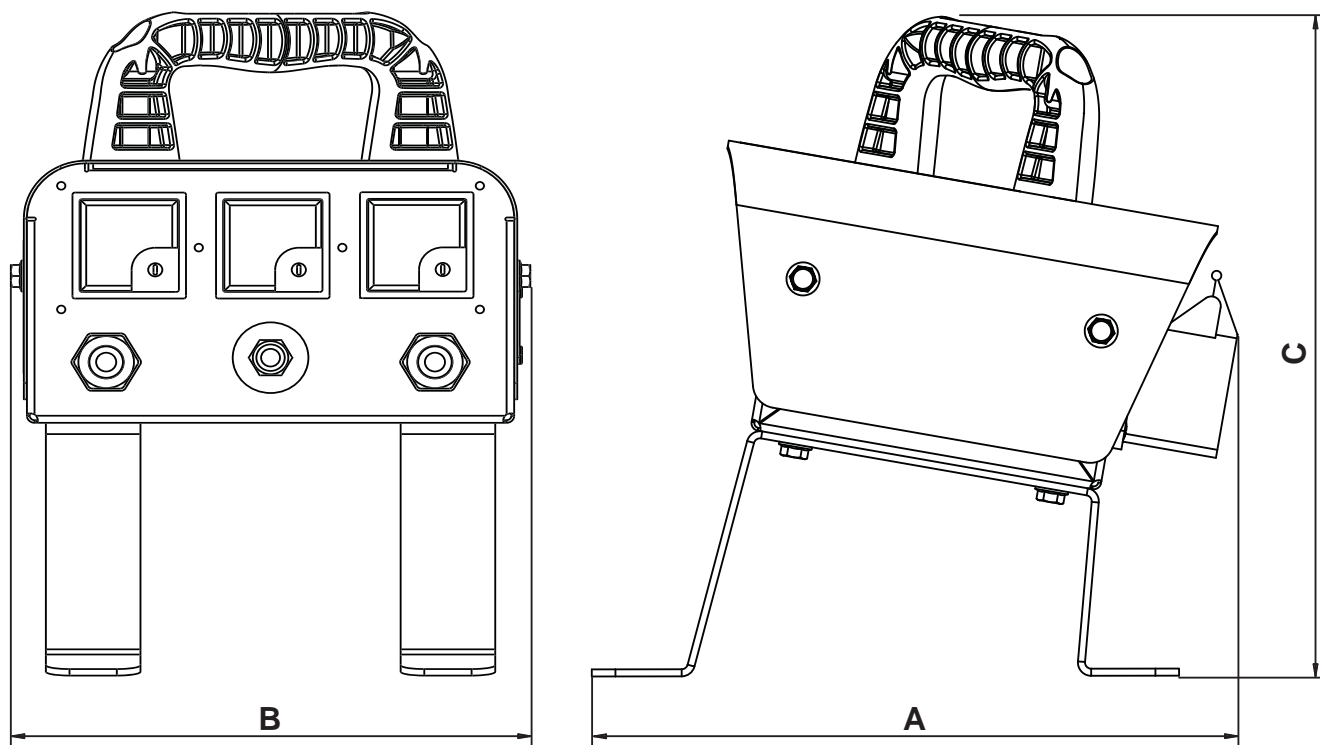
Environment

Safe Disposal.



Instructions for the protection of the environment. The machine contains valuable materials. Take the discarded apparatus and accessories to the relevant recycling facilities.

Component	Material
Main Body	Steel
Meter Protector	Polycarbonate
Meters	Polycarbonate & Copper
Plugs & Sockets	Polypropylene
Cables	PVC & Copper
Various Parts	Steel and Plastic



Model	GPX Test Unit
A - *Overall Length (mm)	285
B - *Overall Width (mm)	225
C - *Overall Height (mm)	280
Weight (Kg)	4.1
Nominal Voltage (v)	110 / 230
Phase	1
Frequency (Hz)	45 - 65
Current (A)	0 - 40
Max Load Rating (kW)	4.5
Output Sockets - 16A 110v	1
Output Sockets - 16A 230v	1
Cable Length (m)	2
110v Circuit Breaker (A)	35
230v Circuit Breaker (A)	20
Application	Portable Generator Testing

* These figures don't include the Cables.

For your own personal protection and for the safety of those around you, please read and ensure you fully understand the following safety information. It is the responsibility of the operator to ensure that he/she fully understands how to operate this equipment safely. If you are unsure about the safe and correct use of the Test Unit, consult your supervisor or Altrad Belle.



CAUTION

Improper maintenance or use can be hazardous. Read and Understand this section before you perform any maintenance, service or repairs.

- Become familiar with the controls before operating the Test Unit.
- Ensure all covers are fitted and **IMMEDIATELY** replace any missing / damaged parts prior to use.
- Check all cables for signs of damage and **IMMEDIATELY** replace if necessary.
- Ensure that cables are carefully laid out avoiding liquids, sharp edges and places where vehicles might run over. Unroll it fully or it could catch fire.
- Remove all packaging material before operating.
- Remove any combustible materials from the test area.
- Connect supply to approved IEC60309-2 Plug / Socket Connectors. Either 100v-130v 50-60Hz Yellow 16A rated, or 200v-250v 50-60Hz Blue 16A rated. 2P +E pattern.



WARNING

***DO NOT** operate the Test Unit in wet conditions. This may result in serious injury or even death!*

SAFETY AND ACCIDENT PROTECTION

Operating Instructions:

All persons who apply, assemble, operate, start, control, maintain or repair this machine must read and understand these operating instructions.

Owner Responsibility:

The owner must ensure that only competent / trained / qualified persons operate, maintain, or repair this machine.

Storage:

When not in use, store in a dry, locked place. Keep away from children.

Operation for the Intended Purpose:

This Test Unit is designed to make performance tests (Volt / Frequency (Hz) / Current (A)) of portable Generators.

Transport :

Ensure the carry handle is used when moving the Test Unit.



WARNING

Before you operate or carry out any maintenance on this machine **YOU MUST READ and STUDY** this manual.



WARNING

Ensure any appliance being tested is in a good serviceable condition before beginning any test procedures.

PRE-OPERATION

- Check your Test Unit before use and **IMMEDIATELY** replace any damaged parts.
- Take the Test Unit to a suitable area for operation, ideally on firm level ground.
- With the Generator switched off, connect the Test Unit power leads (male) to the Generator (110v & 230v respectively).

OFF-LOAD CHECK

- With the Test Unit Voltage Selector in the off position (central position), start the Generator as normal (refer to relevant Generator Operators Manual)
- When the Generator is operating and with the correct voltage selected on the Generator (if applicable), turn the Test Unit on to the desired test voltage also.

The Test Unit should now output Volts and Frequency (Hz)

This procedure can now be replicated for the alternative voltage (if applicable)

NOTE:- Make adjustments to the Generator to achieve the desired outputs in-line with the OEM specifications

ON-LOAD CHECK

- Connect a suitably sized *piece of equipment for the Generator being tested to the Test Unit (either 110v or 230v).
This must also be:- < 35 Amp for 110v (Max. 4.5kW)
< 20 Amp for 230v (Max. 4.5kW)

*For example, a Generator with PRP of 2.2kW - the appliance rating should not exceed 2.2kW (9.6 Amp)

Recommended appliances for load testing are Heater Elements or Lights with known power ratings.

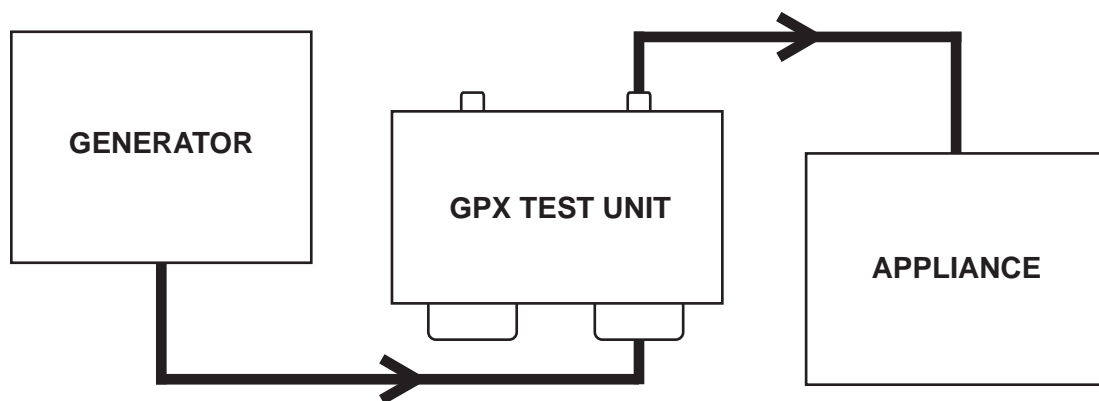
- With the Test Unit Voltage Selector in the off position (central position), start the Generator as normal (refer to relevant Generator Operators Manual)
- With the Generator operating and with the correct voltage selected on the Generator (if applicable), turn the Test Unit on to the desired test voltage also.

The Test Unit should now output Volts and Frequency (Hz), now turn on the connected appliance and Current (A) can also be read from the Test Unit. This is the required current (Amp) to run the appliance, not the max. of the Generator.

This procedure can now be replicated for the alternative voltage (if applicable)

NOTE:- Make adjustments to the Generator to achieve the desired outputs in-line with the OEM specifications.

OPERATIONAL FLOW



Servicing



Before starting any maintenance or repairs, isolate from the all power supplies. On completion of maintenance, check that the Test Unit functions correctly and that all covers are correctly fitted.

RE-SETTING MINIATURE CIRCUIT BREAKERS (MCB); INSTRUMENT FUSE

- The MCB's are provided for both short circuit or overload protection. Should either MCB trip, you may be overloading the Test Unit. Check applied load is < 4.5kW. If the MCB does trip, remove the load, allow the unit to cool and reset the Breaker by pushing the reset button on the rear of the Test Unit above the relevant socket.
Furthermore, there may be faults on the Generator which may need to be investigated by a competent person in-line with the OEM fault finding procedures.

Warranty



Your new Altrad Belle GPX Test Unit is warranted to the original purchaser for a period of one-year (12 months) from the original date of purchase. The Altrad Belle warranty is against defects in design, materials and workmanship.

The following are not covered under the Altrad Belle warranty:

1. Damage caused by abuse, misuse, dropping or other similar damage caused by or as a result of failure to follow assembly, operation or user maintenance instructions.
2. Alterations, additions or repairs carried out by persons other than Altrad Belle or their recognised agents.
3. Transportation or shipment costs to and from Altrad Belle or their recognised agents, for repair or assessment against a warranty claim, on any machine.
4. Materials and/or labour costs to renew, repair or replace components due to fair wear and tear.

Altrad Belle and/or their recognised agents, directors, employees or insurers will not be held liable for consequential or other damages, losses or expenses in connection with or by reason of or the inability to use the machine for any purpose.

Warranty Claims

All warranty claims should firstly be directed to Altrad Belle, either by telephone, by Fax, by Email, or in writing.

For warranty claims:

Tel: +44 (0)1298 84606

Fax: +44 (0)1298 84073

Email : Warranty@belle-group.co.uk

Write to:

Altrad Belle Warranty Department,
Sheen, Nr. Buxton,
Derbyshire,
SK17 0EU
England.

Warranty Registration:

In the bid for ALTRAD Belle to become greener and more eco friendly, we have now introduced online Warranty registration. To access the registration page of our website, please use the following address:-

http://www.bellegroup.com/index.php?p=warranty_registration

Alternatively, please scan the adjacent QR Code (Quick Response Code) using your smartphone to access the registration page.



Replacement Parts



When maintaining this product only the manufacturers original, genuine replacement parts may be used.

The user will lose any possible claims if replacement parts used are other than the makers original replacement parts.

Replacement parts for this product can be ordered online 24 hours a day, 7 days a week at www.Altrad-Belle247.com

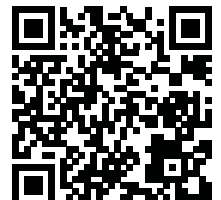
For more information regarding the availability of replacement parts for this product, please contact Altrad Belle using the following contact details:-

Tel:- +44 (0)1298 84606

Fax:- +44 (0)1298 84073

Email:- sales@altrad-belle.com

Alternatively, please scan the adjacent QR Code (Quick Response Code) using your smartphone to access the Altrad Belle online parts portal.





BELLE
LIGHT
CONSTRUCTION
EQUIPMENT

Altrad Belle

Sheen, Nr. Buxton, Derbyshire, SK17 0EU, GB

Tel. +44 (0)1298 84606 - Fax +44 (0)1298 84722 - Email: sales@altrad-belle.com

www.Altrad-Belle.com

EU IMPORTER ADDRESS

*ADRESSE DE L'IMPORTATEUR - DIRECCIÓN DEL IMPORTADOR - ENDEREÇO DO IMPORTADOR - ADRES IMPORTEUR
IMPORTØRENS ADRESSE - IMPORTEUR ADRESSE - INDIRIZZO DELL'IMPORTATORE - IMPORTÖRENS ADRESS - IMPORTØRADRESSE
MAAHANTUOJAN OSOITE - ADRES IMPORTERA - IMPORTIJA AADDRESS - IMPORTÉTĀJA ADRESE - IMPORTUOTOJO ADRESAS
ADRESA DOVOZCE - ADRESA IMPORTATORULUI - IMPORTÓR CÍME - ADRESA UVOZNIKA - İTHALATÇI ADRESİ - ADRESA DOVOZCU*

Altrad Investment Authority SAS:

150 Rue Le Pérugin, 34000 Montpellier, France

Tel. +33 (0) 4 67 50 53 66 - Email: admin@altrad.com

www.altrad.com